

ph and ORP immersion probe 9336



- Electrode holder and protection
- Easy calibration routine
- Flange or PE collar fitting
- For 1 electrode with PG 13.5 fitting
- PVC, PPH or stainless steel construction
- Cable outlet through PG 9

APPLICATION

For all pH and ORP measurements in tank, drain, basin, open channel. Standard construction is of PVC, PPH or AISI 316, diameter 50 mm. The electrode holder is designed for a calibration routine without dismantling electrode.

Electrode protection end is removable from the holder; the buffer flask (buffers 9011/ 9012/ 9013/ 9015) grips on the holder during calibration.

There is no need to hold the probe during calibration.

The probe can stand on the floor.

No more spilled buffer neither damaged electrode.

CODE NUMBERS AND REFERENCES

Code	Reference	Description
130 150	9336 PVC	Probe PVC, 1 m, for 1 electrode
130 250	9336 PPH	Probe PPH, 1 m, for 1 electrode
131 150	9336 AISI 316 L	Probe AISI 316, 1 m, for 1 electrode
130 114	9338 PVC	Probe PVC, 1 m, for 1 electrode, with + rocking bucket in PPH
130 113	9338 Rocking bucket	Rocking bucket in PPH with holder base (of 9338)
130 112	9358 PE	Adjustable flange, in PE, for tube O.D. 50 mm

TECHNICAL FEATURES

Immersion height	1 m (On request from 0.30 up to 3.00 m)
Construction	PVC, PPH, AISI 316 L
Head	PBT glass fiber reinforced - IP 65
Cable output	PG 9
Fitting	PE flange 9358, ND 50, adjustable or PE collar, for diam. 50 mm
Temperature limits	+55 °C (PVC), +100 °C (PPH), +135 °C (AISI 316L)

DEDICATED ELECTRODES

Associated electrodes are described on data sheet 150-01. Only electrodes with threaded fitting PG 13.5 can be mounted on these probes.



BAMO INTERNATIONAL

22, Rue de la Voie des Bans · Z.I. de la gare · 95100 ARGENTEUIL

Tel +33 (0)1 30 25 83 20 Web www.bamo.eu

Fax +33 (0)1 34 10 16 05 E-mail export@bamo.fr

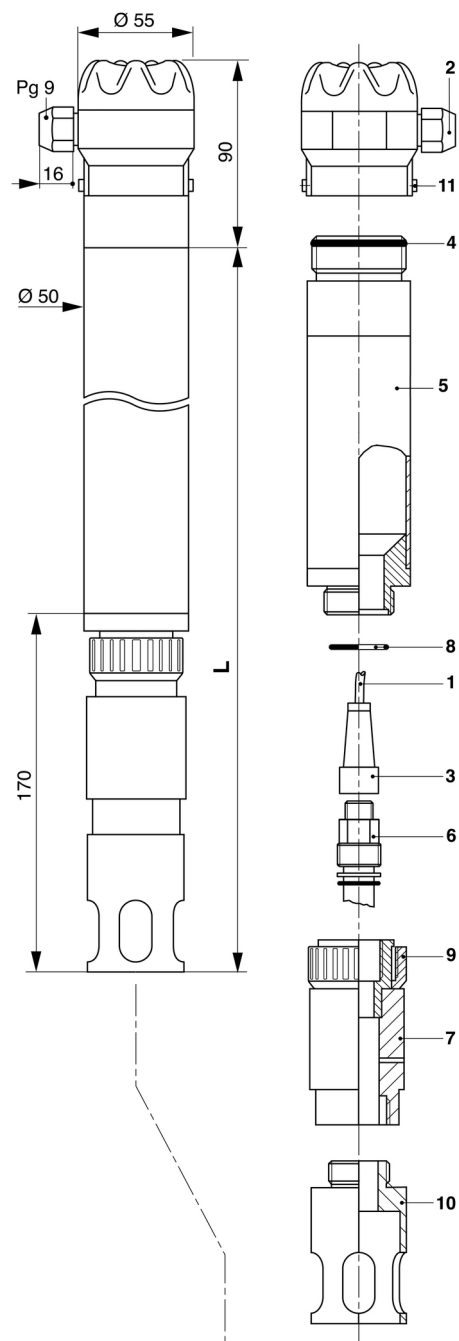
ph and ORP immersion probe
9336

10-03-2017

D-130.01-EN-AB

pH

130-01 /1



ELECTRODE MOUNTING

Pass the coaxial cable 9060 (1) through the cable gland on probe head (2).
 A cable length of "probe length plus 20 cm" is necessary.
 Weld on the connector 9054 (3) (see also manual msa160-9054).
 Check the O' ring (4) is well on site.
 Screw on the probe head (2) on extension tube (5).
 Ensure that the connector goes out from the tube.
 Install the electrode (6) on the holder (7).
 Check the O' ring (8) is well on site.
 Screw tightly the connector on the electrode.
 Pull out smoothly the cable through the cable gland, in order to have the electrode holder (7) close to the extension tube.
 The cable must not be stretched inside the tube.
 Screw the nut (9) keeping the holder in its position.
 Tight firmly this nut by hand, not excessively.
 Prevent the electrode holder to rotate during this operation.
 Screw on by hand the electrode protection (10).
 This protective end must be easy to screw off.
 Screw tightly the cable gland on the head.
 Rotate the head in the good position and block it with the two screws (11).

ELECTRODE DISMANTLING

Proceed as above on reverse steps, taking care not to loose the O-ring (8).

SYSTEM CALIBRATION

You may follow the instructions in the manuals of pH or ORP monitors in use.
 Unscrew the electrode protection end (10).
 Clean up the electrode with tap water.
 Adapt the buffer flask on the holder (7).
 Holder outer diameter and electrode length are in correspondence with our buffer flasks; no risk to damage the electrode when performing calibration.
 The flask grips on holder; the probe can lay down the floor.
 Ending the calibration, screw in the electrode protection and lock it smoothly.

BAMO INTERNATIONAL

22, Rue de la Voie des Bans · Z.I. de la gare · 95100 ARGENTEUIL
 Tel +33 (0)1 30 25 83 20 Web www.bamo.eu
 Fax +33 (0)1 34 10 16 05 E-mail export@bamo.fr

ph and ORP immersion probe
9336

10-03-2017

D-130.01-EN-AB

pH

130-01/2