

Immersion probe for pH and ORP measurements 9346



- Electrode holder and protector
- Easy calibration routine
- For 2 or 3 electrodes PG 13.5
- PVC or PPH construction
- Adjustable flange or PE collar fitting
- Cables: through pressure glands
- Easy to use, easy to install

APPLICATION

For pH or ORP measurements in tank, drain, basin, open channel. With or without temperature compensation. Probes 9346 are designed to avoid electrode damaged during calibration and to protect the measuring connections from humidity.

ASSOCIATED ELECTRODES

Only electrodes with sealing by PG 13.5 thread could be mounted on our probes. Associated electrodes for pH and ORP are described on data-sheet 150-01.

TECHNICAL FEATURES

Immersion depth	1 m as standard (from 0.2 up to 3 m on request)
Construction	PVC or PPH
Fitting	Flange PE 9358 for adjustable immersion depth or PE collar for tube O.D. 75 mm
Operating temperature	+ 55 °C for PVC model (P < 1 bar) +100 °C for PPH model (P < 0 bar)

For temperature limits you may consider also limits of operating conditions of electrodes.

CODE NUMBERS AND REFERENCES

Code	Reference	Description
135 520	9346/2 PVC	Probe PVC - 2 fittings PG 13.5
135 530	9346/3 PVC	Probe PVC - 3 fittings PG 13.5
135 620	9346/2 PPH	Probe PPH - 2 fittings PG 13.5
135 630	9346/3 PPH	Probe PPH - 3 fittings PG 13.5
135 112	9358 PE	Adjustable PE flange for probes 9346
P41 576	Ø 75 PE	Collar for probes 9346

TEMPERATURE COMPENSATION

Temperature probe 9090 for automatic compensation are listed on data-sheet 150-02.

BAMO INTERNATIONAL

22, Rue de la Voie des Bans · Z.I. de la gare · 95100 ARGENTEUIL
Tel +33 (0)1 30 25 83 20 Web www.bamo.eu
Fax +33 (0)1 34 10 16 05 E-mail export@bamo.fr

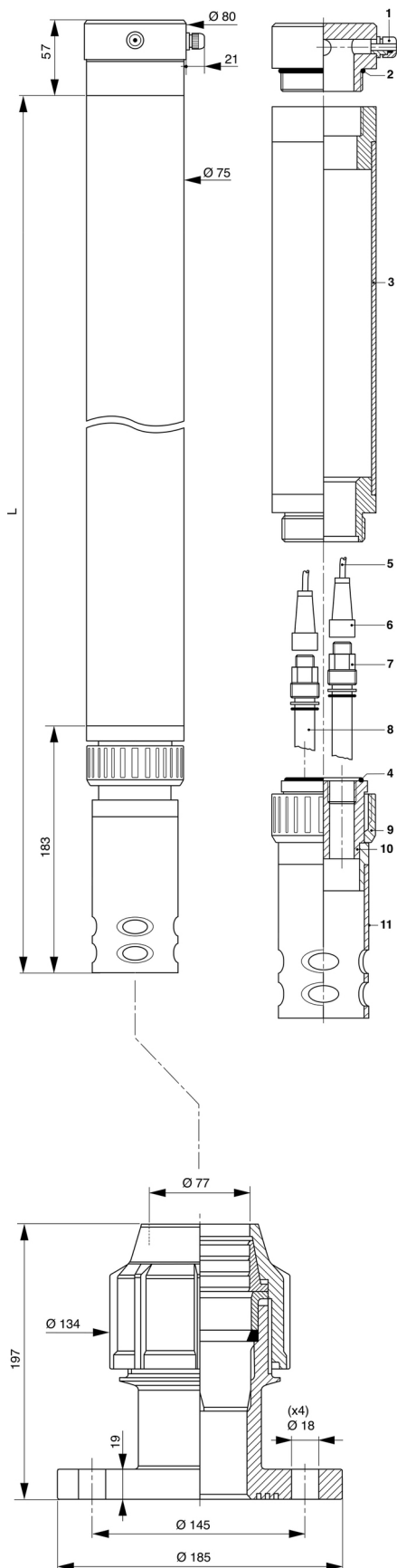
Immersion probe for pH and
ORP measurements
9346

20-09-2018

D-135.01-EN-AC

pH

135-01 /1



ELECTRODE MOUNTING

Introduce the pH cable 9060 (5)
 Through the cable gland (1).
 Cable must cover inside distance: probe length plus 20 cm.
 Mount the connector 9054 (6) to the cable (manual msa160-01).
 Check the seal (2) is on place
 Screw probe head (1) on extension tube (3).
 Ensure that connector goes out from bottom of tube.
 Install the electrode (7 and 8) on the holder (10).
 Fit the O' ring (4) on place.
 Screw tightly the connector on the electrode.
 Pull cable through cable gland in order to have
 electrode holder close to the extension tube.
 The cable must not be stretched inside the tube.
 Screw nut (9) keeping holder in its position.
 Tight firmly this nut by hand, not excessively.
 Prevent the electrode holder to rotate during this operation.
 Screw on the electrode protection end (11) by hand.
 This protective end must be easy to screw off.
 Screw on the cable gland (head housing).

ELECTRODE DISMANTLING

Proceed as above on reverse steps; Be careful not to lose the O-ring (4)

CALIBRATION

You may find detailed information in the instruction manuals of pH monitor.
 Rinse the electrode with water.
 Unscrew the electrode protection end.
 Insert the electrode end in the buffer.
 Ending the calibration sequences, screw gently by hand, the electrode protection
 back in place.

BAMO INTERNATIONAL

22, Rue de la Voie des Bans · Z.I. de la gare · 95100 ARGENTEUIL
 Tel +33 (0)1 30 25 83 20 Web www.bamo.eu
 Fax +33 (0)1 34 10 16 05 E-mail export@bamo.fr

Immersion probe for pH and
 ORP measurements
9346

20-09-2018

D-135.01-EN-AC

pH

135-01 /2