

# Probe holder poles 8306



- For immersion probes 9336, 9337 or 9346
- Totally modular
- Protecting roof for monitor
- Rotation on 360°
- Translation on both axes
- PVC, stainless steel, aluminum

## APPLICATIONS

To hold pH, ORP or dissolved oxygen immersion probes, beside a tank, a basin or an open channel.

## DESCRIPTION

Components:

- 1) Main pole
- 2) Protecting roof for a monitor (e.g. BAMOPHAR)
- 3) Single or twin arm holders for immersion probes (see data-sheets 130-01, 135-01, 451-01)

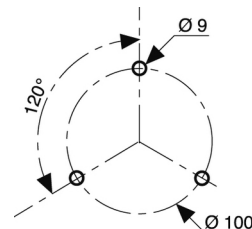
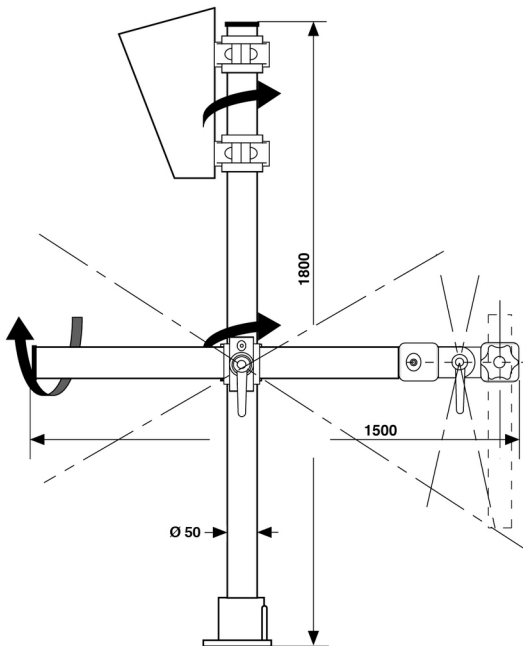
The 360° orientation on 3 axes allows a great modularity and brings an easy adaptation on site (examples: pass over barrier, bulwark, border, etc.).

Equipped with a protecting roof, it receives a monitor BAMOPHAR (wall mount) for local reading.

Tubes are made of stainless steel with oblong holes at each end to pass through and protect the cables (measurement and power loops). Anchor and articulation parts are made of aluminum.

## CODE NUMBERS AND REFERENCES

Code	Reference	Description
1) Main pole		
143 052	8306 P	Pole 8306 with anchor
2) Protecting roof		
143 061	8306 AUV1	For 1 BAMOPHAR; to fit on pole 8306
143 062	8306 AUV2	For 2 BAMOPHAR; to fit on pole 8306
3) Arm holder		
143 071	8306 BS36	For 1 probe 9336/37; to fit on pole 8306
143 072	8306 BS46	For 1 probe 9346; to fit on pole 8306
143 073	8306 BD36	For 2 probes 9336/37; to fit on pole 8306



Ground fittings

# BAMO INTERNATIONAL

22, Rue de la Voie des Bans · Z.I. de la gare · 95100 ARGENTEUIL

Tel +33 (0)1 30 25 83 20 Web [www.bamo.eu](http://www.bamo.eu)

Fax +33 (0)1 34 10 16 05 E-mail [export@bamo.fr](mailto:export@bamo.fr)

Probe holder poles  
**8306**

26-01-2022

D-143.01-EN-AC

pH

143-01 /1