

PANEL MOUNTING INDICATOR

ITU 402 - ITU 412



- Versatile digital display Indicator
- Inputs: mA, V, Pt 100, Ni 100, TC,
- Main power inputs: 21.6...253 VAC / 50...60 Hz or 19.2...300 VDC
- LED Display, 4 digits
- Power supply to the sensor: 15...25 VDC (0...20 mA)
- Housing 48 x 96 mm
- Protection: IP 65
- Outputs: 2 relays or 2 relays + 1 analogue output 0/4-20 mA

DESCRIPTION

ITU 402 and ITU 412 are versatile and configurable on site indicators. Both have 2 relay outputs plus an analogue output for The ITU412. They are convenient for a local display and process controller, useful where ambient conditions oblige a protection IP 65. The 4 digits display by LED of 13.8 mm high has a resolution from 1999 to 9999 with an adjustable decimal point; it shows as well the relay status of each output. All parameters are adjusted through the front keyboard. A multi language help file could be selected through the menu. During the start up, a test may be run on each relay without a real input signal. These IP65 indicators are of a DIN 43700 standard: 48 x 96 mm, to fit in a cabinet or a wall in a control room.

TECHNICAL FEATURES

Main power input:	21.6...253 VAC / 50...60 Hz or 19.2...300 VDC
Power consumption:	3.5 W as a maximum
Inputs	Electric current: -1...25 mA Voltage: -20 mV...12 VDC RTD (<i>Pt 100</i> , <i>Ni 100</i>) and resistance TC Types B, E, J, K, L, N, R, S, T, U, W3, W5 and LR
Operating temperature:	-20...+60 °C
Outputs:	Relay: 2 change over contacts 230 VAC Analogue: 0/4-20 mA, 800 Ω as a maximum
Sensor power supply:	15...25 VDC / 0...20 mA
Housing:	IP65, made of black polycarbonate
Mass:	230 g
Wire connections:	Fast coupling connectors (<i>no screws</i>)
Conformity:	To standards EMC 2004/108/CE, EN 61326-1, DBT 2006/95/CE, EN 61010-1

BAMO MESURES

22, Rue de la Voie des Bans - Z.I. de la Gare - 95100 ARGENTEUIL

Tél : (+33) 01 30 25 83 20 - Web : www.bamo.fr

Fax : (+33) 01 34 10 16 05 - E-mail : info@bamo.fr

PANEL MOUNTING
INDICATOR
ITU 402 - ITU 412

17-11-2009

222 I1 03 A

RE

222-03/1

CODES AND REFERENCES

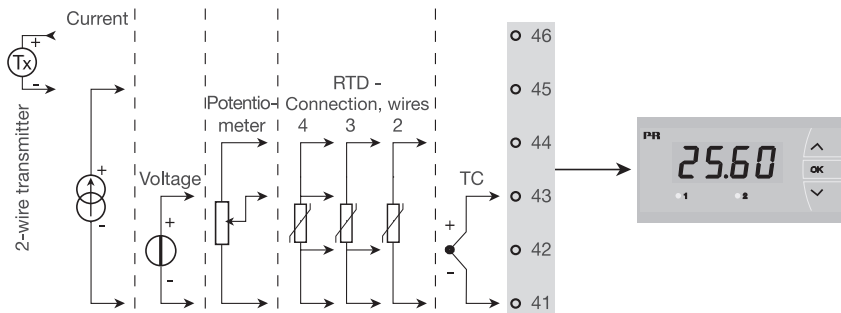
Code	Reference	Designation
222 402	ITU 402	Panel mounting indicator, ITU, 2 relays
222 412	ITU 412	Panel mounting indicator, ITU, 2 relays + 1 analogue output 0/4-20 mA

DIMENSIONS

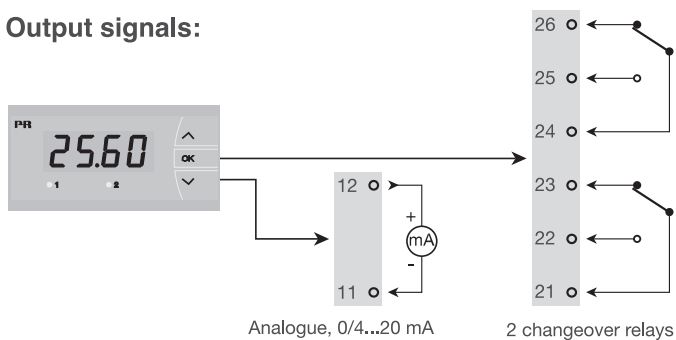


WIRING

Input signals:



Output signals:



Supply:

