

Inductive conductivity probe in NORYL TCS 3020 Series

- Range: from 10 $\mu\text{S}/\text{cm}$ up to 2000 mS/cm
- Material: NORYL
- Temperature max. 70 °C
- Low fouling
- Built-in Pt 100 sensor



APPLICATIONS

TCS 3020 is an inductive conductivity probe useful in wastewater treatment and in the chemical industry.

- Monitoring of aeration tower
- Clear water control (wells, drinking water, thermal baths, etc.)
- Control of stormwater and runoff water
- Monitoring of NaCl concentration (0 to 26 %)

DESCRIPTION

TCS 3020 probe is convenient for measuring conductivity on a wide range between 10 $\mu\text{S}/\text{cm}$ and 2000 mS/cm .

It uses inductive measurement principle that offers many advantages. There is a total galvanic insulation between measuring loop and the liquid which makes the measurement reliable on many chemicals.

Measurement in immersion

The probe is fixed to end of probe holder for immersion (holder from 500 to 2000 mm with optional flange fitting).

On-line measurement

Probe is mounted on a Te, ND 50 mm (as a minimum).

Complete measuring system includes:

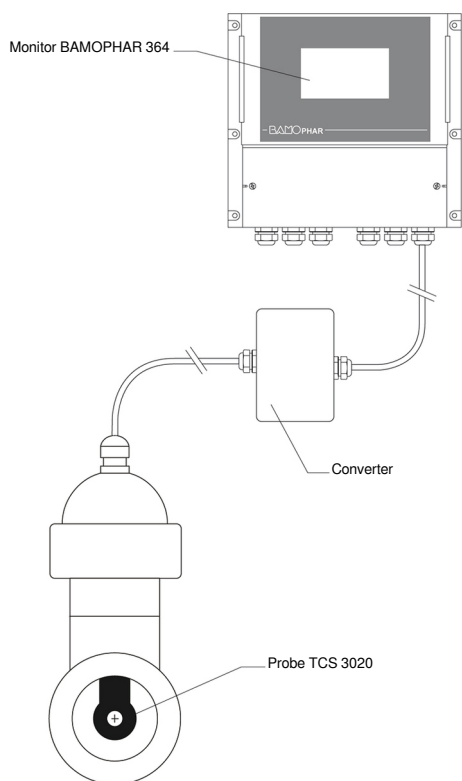
- An inductive probe TCS 3020, cable output.
- A probe holder for immersion or on-line measuring cell.
- A converter (factory calibration)
- A connection cable type C8B
- A monitor BAMOPHAR 364 (data-sheet 364-04)

Associated monitors

BAMOPHAR 364 are designed for inductive conductivity monitoring. Available ranges:

- 0... 2 mS/cm
- 0... 20 mS/cm
- 0... 200 mS/cm
- 0... 2000 mS/cm

Temperature compensation is performed by the monitor which provides a 4-20 mA signal output, copy of the measurement. Factory calibrations are done on each measuring system for a quick and easy start up on site.



Complete measuring system

BAMO INTERNATIONAL

22, Rue de la Voie des Bans · Z.I. de la gare · 95100 ARGENTEUIL

Tel +33 (0)1 30 25 83 20 Web www.bamo.eu

Fax +33 (0)1 34 10 16 05 E-mail export@bamo.fr

Inductive conductivity probe
in NORYL
TCS 3020 Series

05-05-2022

D-364.01-EN-AD

RES

364-01 /1

TECHNICAL FEATURES

Measuring range From 10 μ S/cm to 2000 mS/cm
 Wet parts material NORYL
 Fitting NPT 3/4"
 Temperature max. 70 °C
 Temperature sensor Built-in sensor Pt 100 Ω at 0 °C
 Pressure max. 10 bar
 Cable output version 5 m long cable

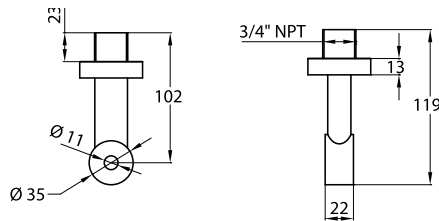
CODE NUMBERS AND REFERENCES

Code	Reference	Description
364 056	TCS 3020 NORYL	Inductive conductivity probe; NORYL; NPT 3/4"; 5 m long cable
364 100	T PVC	Te holder; PVC; ND 50 mm
364 150	T PPH	Te holder; PPH; ND 50 mm
364 200	T PVDF	Te holder; PVDF; ND 50 mm
364 300	SI PVC / 364	Immersion probe holder; PVC; Height 500 up to 2000 mm
364 400	SI PVDF / 364	Immersion probe holder; PVDF; Height 500 up to 2000 mm
368 108	C8B	Shielded 8-wire cable

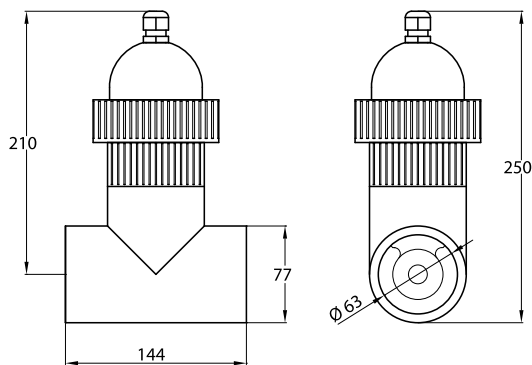
NOTE:

In all cases, a converter is inserted between the probe and the monitor. The converter in its housing will be ideally located on the holder.
A correct length of C8B cable is necessary to connect the converter to the monitor.

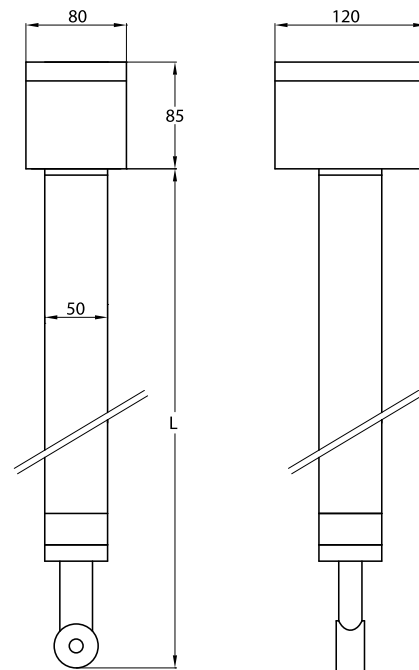
DIMENSIONS



TCS 3020 probe (alone)



On-line probe holder



Immersion probe holder

BAMO INTERNATIONAL

22, Rue de la Voie des Bans · Z.I. de la gare · 95100 ARGENTEUIL
 Tel +33 (0)1 30 25 83 20 Web www.bamo.eu
 Fax +33 (0)1 34 10 16 05 E-mail export@bamo.fr

Inductive conductivity probe
 in NORYL
TCS 3020 Series

05-05-2022

D-364.01-EN-AD

RES

364-01 /2