

Turbidity transmitter, immersion probe

TURBISENS



- Compact transmitter, 4-20 mA output
- In conformity with EN ISO 7027, infrared light (860 nm), 90° scattered light
- Selectable ranges:
0 to 50/ 100/ 200/ 500 / 1000/ 2000 FTU
- High resolution from 0.01 FTU
- Max. immersion depth: 10 m

APPLICATIONS

Control and monitoring of:

- Wastewater treatment plant outlets
- Sedimentation process
- Wells
- Cooling water basin

DESCRIPTION

Turbidity refers to the content of solid particles (example: suspended particles). Designed for open basins or channels, this probe is an immersion turbidity transmitter.

TURBISENS optically measures the turbidity of the liquid.

The measurement system complies with standard NF EN ISO 7027 (Nephelometry)

The electronics integrated into the head convert the measurement into a 4-20 mA signal.

TECHNICAL FEATURES

Output signal	4-20 mA Example: Connection to a BAMOWIZ or an analogue PLC input
Power supply	10 ... 30 V DC, galvanically isolated from measuring circuit
Consumption	< 1 W

Note:

When the 4-20mA loop is powered by the connected monitor or PLC, the connected load increases by 0.48 W: $24 \times 20 = 0.48$ (24 V DC; 20 mA; 0.48 W)

Ambient temperature	0... +45 °C
Probe protection	IP 68, max. depth 10 m (EN 60 529)
Cable	TPK, length 6m (special lengths on request), Connection to head housing via a watertight connector (IP67). Resistant to highly diluted acids and alkalis
Liquid temperature	0... +60 °C
Probe body	PVC
Selectable Ranges	0 to 50 / 100 / 200 / 500 / 1000 / 2000 FTU FTU= Formazin Turbidity Units
Accuracy	±5 % of reading ±1 % F.S. in use
Resolution	Or 0.01 FNU or 1 FTU according the measuring range
Color compensation	Color compensation in the measuring ranges 50 and 100 FTU

BAMO INTERNATIONAL

22, Rue de la Voie des Bans · Z.I. de la gare · 95100 ARGENTEUIL

Tel +33 (0)1 30 25 83 20 Web www.bamo.eu

Fax +33 (0)1 34 10 16 05 E-mail export@bamo.fr

Turbidity transmitter,
immersion probe
TURBISENS

TUR

443-01 /1

23-07-2020

D-443.01-EN-AD

TECHNICAL FEATURES (continued)

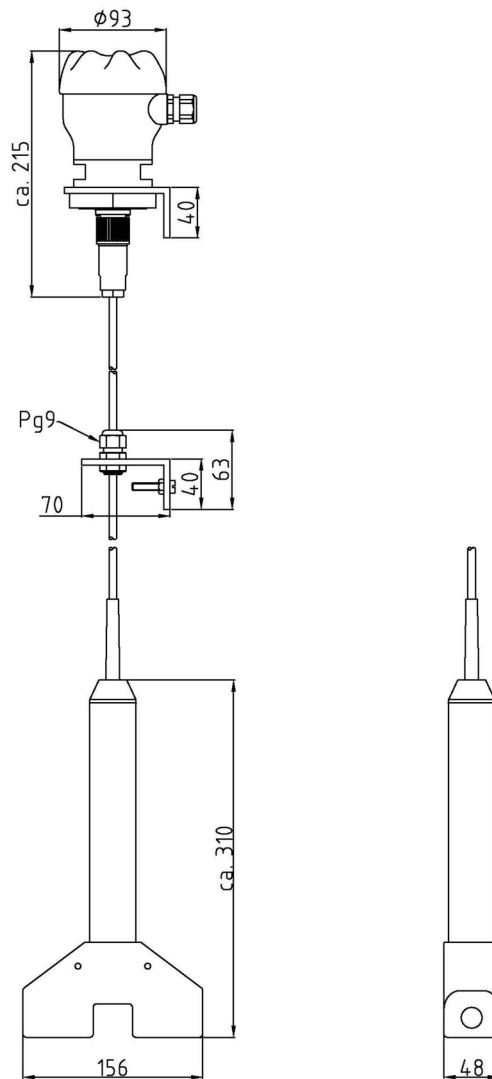
Head housing	PBT, IP 65 (EN 60 529)
Fitting	2" BSP male; With counter-nut and angle bracket
Display, integrated to the head	4 Digits for current turbidity and settings Status LED for alarm signals
Settings	Rotating potentiometer/ push button
Option	Test kit for a quick check of the device.

EC Conformity: The instrument meets the legal requirements of the current European Directives

CODE NUMBERS AND REFERENCES

Code	Reference	Description
443 100	TURBISENS	Turbidity transmitter with immersion probe
OPTIONS		
443 099	Test unit	Test kit for a quick check of the device
436 ____	BAMOPHAR 436...	Turbidity controller, touch sensitive screen (Option RS 422 + LOGGER on request)

DIMENSIONS



BAMO INTERNATIONAL

22, Rue de la Voie des Bans · Z.I. de la gare · 95100 ARGENTEUIL

Tel +33 (0)1 30 25 83 20 Web www.bamo.eu

Fax +33 (0)1 34 10 16 05 E-mail export@bamo.fr

**Turbidity transmitter,
immersion probe
TURBISENS**

TUR

443-01 /2

23-07-2020

D-443.01-EN-AD