

Dissolved oxygen monitor BAMOWIZ 452



- Graphic color touch-sensitive screen
- Dissolved oxygen monitoring:
0 ... 20 mg/l 0 ... 500 %
- 1 Input for BAMOX 453 probe
- 1 Analogue output 0/4-20 mA
- 3 Relays (Trigger points, Alarm)
- 2 Analogue inputs 4-20 mA

APPLICATIONS

The BAMOWIZ OX 452 system is a reliable and accurate solution for an optical measurement of dissolved oxygen in the fields of water treatments:

- Water treatment plant (e.g.: Aeration basin)
- Rivers, lakes
- Fish farming and aquaculture

DESCRIPTION

In use with a BAMOX 453 probe (data-sheet 453-01), the BAMOWIZ OX 452 allows the continuous measurement of dissolved oxygen concentration in the water. With this set, the atmospheric pressure, water temperature and conductivity, are considered to provide a reliable display and accurate measurement (compensated).

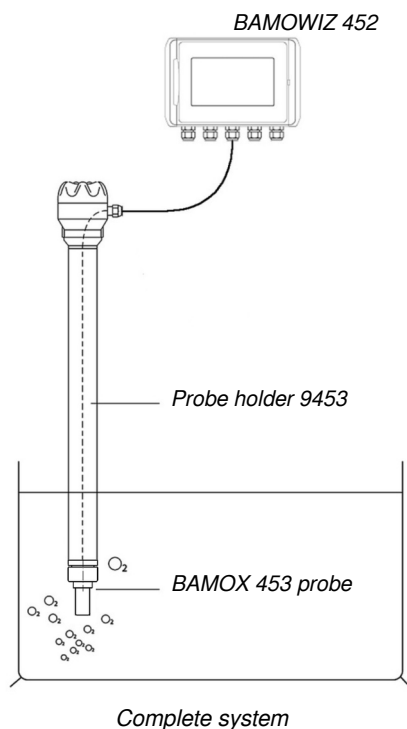
BAMOWIZ OX 452 has a colour touch-sensitive screen to navigate through an intuitive and multilingual menu; It procures a large display for easy readings of measurements and operating status. To facilitate commissioning, a menu acting on the analog output and the thresholds is used to simulate the operating process.

The BAMOWIZ OX 452 has two more inputs; Both as 4-20 mA analogue signal (power supplied to sensors).

One of the 3 measurements can be transmitted to a remote PLC through the 4-20mA output.

A complete system includes:

- A dissolved oxygen monitor BAMOWIZ OX 452
- A dissolved oxygen optical probe BAMOX 453 (data-sheet 453-01)
- A probe holder 9453 (data-sheet 453-01)
- An extension cable between probe holder and monitor (Data-sheet 453-01)



CODE NUMBERS AND REFERENCES

Code	Reference	Description
452 001	BAMOWIZ 452	Dissolved oxygen monitor for BAMOX 453 probe

BAMO INTERNATIONAL

22, Rue de la Voie des Bans · Z.I. de la gare · 95100 ARGENTEUIL

Tel +33 (0)1 30 25 83 20 Web www.bamo.eu

Fax +33 (0)1 34 10 16 05 E-mail export@bamo.fr

Dissolved oxygen monitor
BAMOWIZ 452

13-10-2021

D-452.01-EN-AC

OXY

452-01 /1

TECHNICAL FEATURES

Interface

Screen	Graphic color touch-sensitive; size 4/3 480 x 272 pixels
Languages	English; French; German; Polish; Portuguese; Spanish Alphanumeric touch keyboard dedicated for each language

Inputs:

Digital signal	1 Input for ODO probe BAMOX 453 Distance from ODO probe to the monitor: Max. 100 m
Analogue signals	2 Inputs for 4–20 mA sensors; 2-wire; 12 V DC/ Max. 2 W/ 166 mA/(Ri: input load 50 Ω)

Parameters of measurement compensation:

Temperature	Automatic: through the built-in NTC sensor in probe BAMOX 453
Atmospheric pressure	Manual or automatic: Between 500 and 1100 hPa
Salinity	Manual or automatic: Between 0 to 60 g/kg

Outputs:

Output signal	1 Analogue output 4–20 mA (with or without linearization)
Relays	3 N.O. contacts, potential free
Adjustable trigger points	1 to 8 trigger points, to assign at 2 or 3 relays
Switching power	3 A / 250 V AC
Hysteresis	Adjustable from 0 to 100 %
Delay	Adjustable from 0 to 9999 s

Other operations in standard version:

- Linearization (20 points) on 1 input signal 4-20 mA
- Bargraph display of each measurement signal
- Display of Minima and Maxima values

Electrical features

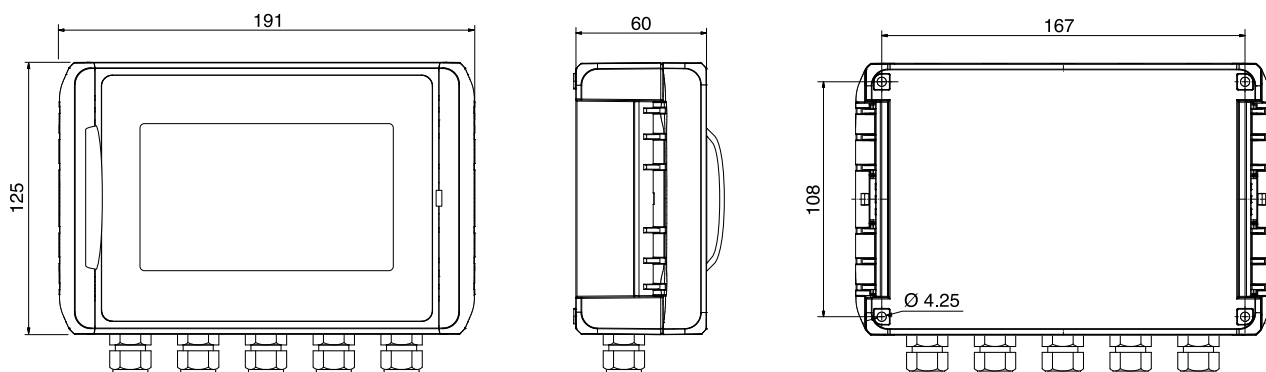
Main power	100 ... 240 V AC 50/60 Hz
Consumption	Max. 10 VA
Cable connections	Screw terminals
Cable inlets	5 Cable glands, PG 9

Environnement

Mounting	Wall mount cabinet, in ABS; IP 65
Ambient temperature	-10 ... +50 °C

EC Conformity: The instrument meets the legal requirements of the current European Directives.

DIMENSIONS



BAMO INTERNATIONAL

22, Rue de la Voie des Bans · Z.I. de la gare · 95100 ARGENTEUIL

Tel +33 (0)1 30 25 83 20 Web www.bamo.eu

Fax +33 (0)1 34 10 16 05 E-mail export@bamo.fr

Dissolved oxygen monitor
BAMOWIZ 452

13-10-2021

D-452.01-EN-AC

OXY

452-01 /2