

# Electric level gauge CN1

- For diesel tanks
- Height from 200 up to 650 mm
- 1 Ohmic output (Option: 4-20 mA)
- Option: Suction and return tubings



## APPLICATIONS

This level gauge is used on diesel engine tanks (generators, machinery, etc.).

It is perfectly suited to small tanks.

## DESCRIPTION

Following the level of diesel, the float drives the stem fitted on an axis to a potentiometer which delivers a resistor value (Ohm) that is the image of the level.

The potentiometric output can be connected directly to our ITU electronics in order to display the volume inside the tank, and monitoring alarm thresholds through the relay outputs (See data-sheets 222-02 & 222-04).

### Models:

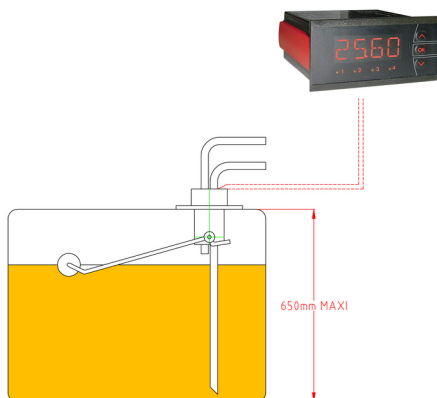
- CN1: Standard version with potentiometric output.
- CN1 2R: Version for diesel engines, with potentiometric output, plus, tubings for suction and return of diesel.

## TECHNICAL FEATURES

Materials	Nylon casing, PA 6.6 AISI stem Float in foamed PVC
Output	Potentiometric, 2-wire, 0 to 280 $\Omega$ Dissipating power: 1.5 W
Connections	Lugs, see drawing "DIMENSIONS"
Fitting	Top tank mounting

## CODE NUMBERS AND REFERENCES

Code	Reference	Description
579 025	CN1	1 Potentiometric output
579 027	CN1 2AR	1 Potentiometric output + suction and return tubings



**BAMO** INTERNATIONAL

22, Rue de la Voie des Bans · Z.I. de la gare · 95100 ARGENTEUIL

Tel +33 (0)1 30 25 83 20 Web [www.bamo.eu](http://www.bamo.eu)

Fax +33 (0)1 34 10 16 05 E-mail [export@bamo.fr](mailto:export@bamo.fr)

Electric level gauge  
**CN1**

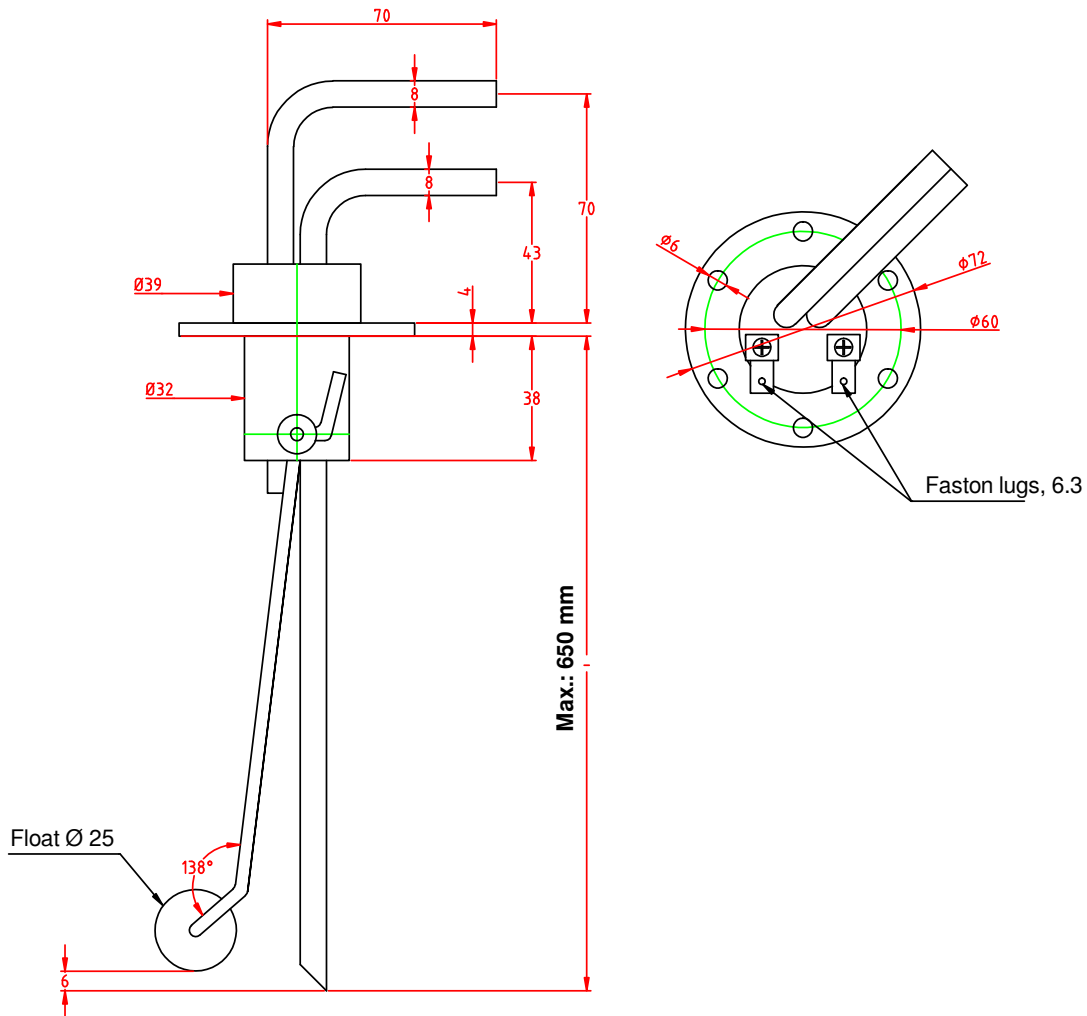
31-03-2022

D-579.09-EN-AE

NIV

579-09/1

## DIMENSIONS



## MONITORS

ITU series: Versatile monitors to display and control signal.

CN1 potentiometric output is directly connected to the ITU for displaying the level of diesel and to set alarm thresholds:

ITU 402 has 2 alarm output relays.  
ITU 404 has 4 alarm output relays.

Option available on request: 4-20 mA signal, image of measurement.  
ITU series can fit in our IP65 cabinets, panel or wall mounting.

ITU 404 may be set in factory for a non linear signal (horizontal tank, or special shape) for displaying directly in volume.  
Note: This function is only set by BAMO before shipping the equipment.

See data-sheets 222-02 & 222-04.



# BAMO INTERNATIONAL

22, Rue de la Voie des Bans · Z.I. de la gare · 95100 ARGENTEUIL

Tel +33 (0)1 30 25 83 20 Web [www.bamo.eu](http://www.bamo.eu)

Fax +33 (0)1 34 10 16 05 E-mail [export@bamo.fr](mailto:export@bamo.fr)

Electric level gauge  
**CN1**

NIV

579-09/2

31-03-2022

D-579.09-EN-AE