

Electronic gauge for diesel INTERNIV 590



- For storage tanks of diesel (fuel oils)
- Measuring ranges: Up to 3 m
- Output signal: 4-20 mA, power 8 ... 32 V DC
- Compact, robust probe (stainless steel)
- PVC cable compatible with diesel

APPLICATIONS

The level gauge INTERNIV is dedicated for continuous level measurement of fluids in storage tanks, opened to atmosphere and with a fill height up to 3 m.

The gauge is perfectly adapted for monitoring and control of diesel level in storage tanks.

The optional display module allows the operator to read instant level and to set up level alarm thresholds.

DESCRIPTION

The gauge INTERNIV 590, is in immersion in the liquid. The hydrostatic pressure is proportional to the depth of immersion.

Pressure is measured on the diaphragm, differential with atmospheric pressure is assumed through a capillary tube all along the cable. A built-in amplifier convert the measurement in a 4-20 mA signal.

This amplifier is protected against short circuits and reverse polarity for a safe installation.

Precautions:

Installation of gauge INTERNIV 590 is simplest by use of a fitting on tank and/or a junction box BJSC.

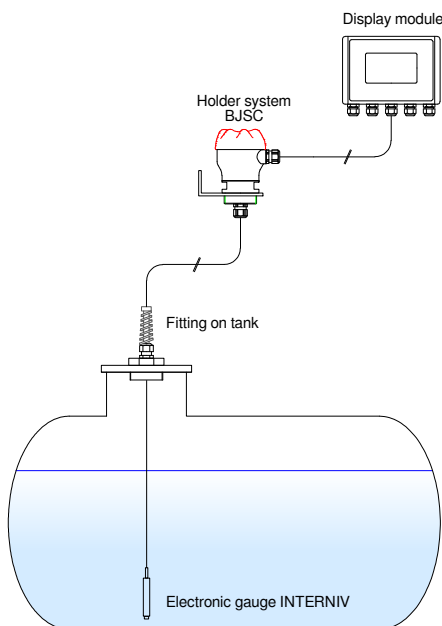
The probe may be freely suspended.

It is recommended not to let the probe laying down on the tank bottom to avoid deposits on the diaphragm.

Junction box BJSC, pressure compensated, hold the gauge (cable is secured) and a vent filter allows the balance with atmospheric pressure. BJSC is highly recommended to protect the gauge cable.

A complete measuring system includes:

- 1 Gauge INTERNIV
- 1 Display module:
 - BAMOWIZ: Digital and graphical display (data-sheet 217-01)
 - ITU: Versatile indicator (data-sheet 222-04)
 - BMG 72: Galvanometric indicator (data-sheet 206-01)
- 1 Tank fitting, and, 1 holder



BAMO INTERNATIONAL

22, Rue de la Voie des Bans · Z.I. de la gare · 95100 ARGENTEUIL

Tel +33 (0)1 30 25 83 20 Web www.bamo.eu

Fax +33 (0)1 34 10 16 05 E-mail export@bamo.fr

Electronic gauge for diesel
INTERNIV 590

09-04-2019

D-590.06-EN-AD

NIV

590-06 /1

TECHNICAL FEATURES

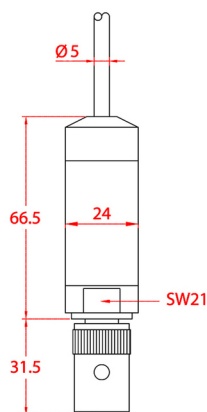
| | | | |
|-----------------------------|--|------------------------------|------------------------------|
| Measuring range | 1 m WC (1190 mm of diesel) | 1.6 m WC (1900 mm of diesel) | 2.5 m WC (2975 mm of diesel) |
| Pressure | 100 mbar | 160 mbar | 250 mbar |
| Overpressure limit | 1 bar | | |
| Accuracy | ≤ ± 1 % F.S. | | |
| Long term stability | ≤ ± 0.2 % F.S./ year (standard operating conditions) | | |
| Temperature limits | -10...+70 °C | | |
| Temperature compensation | 0...+70 °C | | |
| Error due to temperature | ≤ ± 0.3 % F.S./ 10 °C | | |
| Output signal; Power supply | Analogue 4-20mA, 2-wire; Power supply: 8 ... 32 V DC | | |
| Response time | ≤ 10 ms | | |
| Protection | IP 68 | | |
| Materials | Body: AISI 304; Diaphragm: AISI 316L; Seal: FPM | | |
| Cable | PVC (compatible with diesel, 6 m long) | | |
| CE conformity | Directive EMC: 2014/30/EU | | |

CODE NUMBERS AND REFERENCES

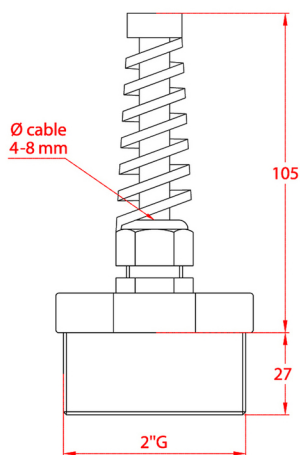
| Code | Reference | Description |
|----------------------|------------------------|---|
| 590 850 | INTERNIV 590-6-100 | Electronic gauge 100 mbar (1190 mm of diesel) |
| 590 852 | INTERNIV 590-6-160 | Electronic gauge 160 mbar (1900 mm of diesel) |
| 590 854 | INTERNIV 590-6-250 | Electronic gauge 250 mbar (2975 mm of diesel) |
| Mounting accessories | | |
| 590 799 | BJSC | Junction box, gauge holder |
| 590 798 | Angle bracket PVC (2") | Angle bracket PVC 2" BSP F |
| 520 620 | CE200 PP 2" FG | Fixing nut PP 2" BSP F |
| 590 860 | RI20-PVC | Tank fitting PVC 2" BSP M |
| 590 861 | RI15-PVC | Tank fitting PVC 1" 1/2 BSP M |
| 590 862 | RI20-Inox | Tank fitting AISI 2" BSP M |
| 520 919 | PIN-ANC | Suspension clip |

DIMENSIONS

Electronic gauge



INTERNIV 590



Tank fitting
590 860

Mounting accessories



Strength clip
520 919

Junction box BJSC
590 799

BAMO INTERNATIONAL

22, Rue de la Voie des Bans · Z.I. de la gare · 95100 ARGENTEUIL
Tel +33 (0)1 30 25 83 20 Web www.bamo.eu
Fax +33 (0)1 34 10 16 05 E-mail export@bamo.fr

Electronic gauge for diesel
INTERNIV 590

09-04-2019

D-590.06-EN-AD

NIV

590-06/2