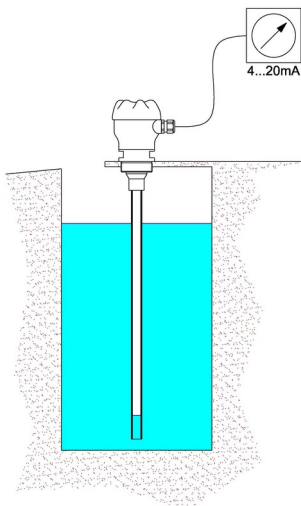


Hydrostatic level transmitter MEMPRO



MEMPRO A (e.g. rigid tube version)



Application: Example

- Continuous level measurement
- The sensor is not in contact with liquid
- Reliable even with aggressive, viscous, dirty or crystallizing liquids
- Stable measurement with a venting module
- High measuring accuracy

APPLICATIONS

Continuous level measurement for:

- Pressure-free containers
- Aggressive liquids
- Storage tanks
- And more ...

DESCRIPTION

The MEMPRO works according to the hydrostatic pressure measuring principle. The output signal corresponds to the pressure of the atmosphere inside the measuring tube; The ceramic sensor is not touched by the liquid.

TECHNICAL FEATURES

Power supply	12 ... 28 V DC; max. 5% effective ripple
Ambient temperature	-20 ... +60 °C
Liquid temperature	PVC: 0 ... +60 °C PP: 0 ... +90 °C
Output signal	4-20 mA; 2-wire transmitter
Head housing	PBT, glass fiber reinforced Protection: IP 65 according EN 60 529
Process connection	See ordering information
Measuring cell	Ceramic with EPDM sealing Capacitive type with temperature compensation Measuring ranges, turndown 1:5 available for the following scales (of WATER): 0- 1,000 mm 0- 2,500 mm 0- 4,000 mm 0- 10,000 mm
Accuracy	< 1% F.S.
Materials	Fitting BSP 2": PVC or PP Measuring tube: Same as fitting (or PVC or PP) Measuring hose: EPDM Sensor seal: EPDM
Connection for venting function	Female thread BSP 1/4" and hose nipple for Ø 4x1 mm hose
Accessories	Automated venting module MEMPRO BL

EC Conformity

The instrument meets the legal requirements of the current European Directives

BAMO INTERNATIONAL

22, Rue de la Voie des Bans · Z.I. de la gare · 95100 ARGENTEUIL

Tel +33 (0)1 30 25 83 20 Web www.bamo.eu

Fax +33 (0)1 34 10 16 05 E-mail export@bamo.fr

Hydrostatic level transmitter
MEMPRO

18-12-2019

D-592.01-EN-ABb

LEV

592-01 /1

PRECAUTIONS

Due to the hydrostatic pressure measurement the reading depends on the liquids density; Therefore, the device may be not convenient when the density is strongly fluctuating. In such a case, the reading of level is affected; The use of an average value of the density may be a proper correction.

Please note:

For osmosis and deionized water level measurements, where degassing phenomena occur, the MEMPRO must not operate without its ventilation function set up (see: MEMPRO BL venting unit).

For measurements close to the maximum of a scale and for liquids with density > 1 kg/dm³, the scale just above must be selected.



Vent valve



Venting unit MEMPRO BL

ORDERING INFORMATION

Article-No. for all MEMPROs is: 592 700

Hydrostatic level transmitter

Output signal

A 4-20 mA; 2-wire

Process connection

- R** Head with fixed measuring tube Ø20
- K** Head prepared for tube connection Ø20
- V** Head with hose fitting and mounting bracket

Material:

- 1** PVC
- 2** PP

Measuring scales:

- 1** 1,000 mm water column
- 2** 2,500 mm water column
- 4** 4,000 mm water column
- 10** 10,000 mm water column

Presetting:

X None

Fitting length/hose length:

L= mm

MEMPRO

(*): Distance from sealing surface

Fittings BSP: 1", 1¼" or 1½" on request

MEMPRO A -R... : available on request as "silicone free version" (restrictions apply)

Accessories:

Counterweights for EPDM flexible hose

- SW1** PVC counterweight
- SW2** PP counterweight

MEMPRO

BAMO INTERNATIONAL

22, Rue de la Voie des Bans · Z.I. de la gare · 95100 ARGENTEUIL

Tel +33 (0)1 30 25 83 20 Web www.bamo.eu

Fax +33 (0)1 34 10 16 05 E-mail export@bamo.fr

Hydrostatic level transmitter
MEMPRO

LEV

592-01 /2

18-12-2019

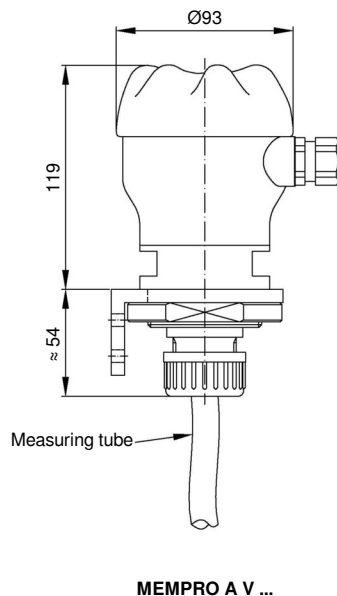
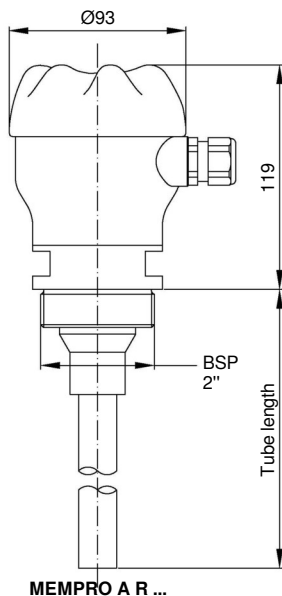
D-592.01-EN-ABb

ORDERING INFORMATION (continued)

Code	Reference	Description
592 110	MEMPRO A R 1 1 X	PVC model BSP 2"; PVC measuring tube; Scale 1000mm Water column
592 130	MEMPRO A R 1 2 X	PVC model BSP 2"; PVC measuring tube; Scale 2500mm Water column
592 140	MEMPRO A R 1 4 X	PVC model BSP 2"; PVC measuring tube; Scale 4000mm Water column
592 210	MEMPRO A R 2 1 X	PP model BSP 2"; PP measuring tube; Scale 1000mm Water column
592 230	MEMPRO A R 2 2 X	PP model BSP 2"; PP measuring tube; Scale 2500mm Water column
592 240	MEMPRO A R 2 4 X	PP model BSP 2"; PP measuring tube; Scale 4000mm Water column

Please specify the required tube length with the order (from sealing surface)

DIMENSIONS



HOSE TYPE



Counterweights

BAMO INTERNATIONAL

22, Rue de la Voie des Bans · Z.I. de la gare · 95100 ARGENTEUIL

Tel +33 (0)1 30 25 83 20 Web www.bamo.eu

Fax +33 (0)1 34 10 16 05 E-mail export@bamo.fr

Hydrostatic level transmitter MEMPRO

18-12-2019

D-592.01-EN-ABb

LEV

592-01 / 3