

Bimetal thermometers

T 500



CASE DIAMETER

100 mm, 125 mm, 150 mm

ACCURACY

Class 1 (according to EN 13190)

SCALE RANGES

From -70...+30°C up to 0...500°C

AMBIENT TEMPERATURE

-20...+60°C

STEM PRESSURE LIMIT

25 bar (*without thermo-well*)

TECHNICAL FEATURES

CASE AND RING

Stainless steel: AISI 304

Bayonet type ring

IP65 – EN 60529 / IEC

MEASURING ELEMENT

Helicoidal bimetal sensor

POINTER

Black, aluminium alloy

ZERO ADJUSTMENT

On the rear back by screw adjustment

WINDOW

Glass 4 mm thick

STEM

Stainless steel: AISI 316

Ø 6 mm – Ø 6.4 mm – Ø 8 mm

Standard length between 90 and 600 mm

(*Specific lengths on request*)

PROCESS MOUNTING

Lower vertical (A), centre back vertical (B), horizontal centre back or centre back mounting with adjustable angle (180° angle)

PROCESS CONNECTION

1/2" G or NPT, with compression gland fitting, male thread

OPERATING TEMPERATURE

Continuous: 425°C as a maximum

(*Over 425°C preferably use a gas dilatation thermometer*)

OVER RANGING

Up to 120°C: 100 % F.S.

From 160°C up to 300°C: 50 % F.S.

From 400°C up to 500°C: 510°C

SCALE

Celsius or Fahrenheit

OPTIONS

Filling type, supplied dry - Case and stem filled with Glycerine (15 to 60°C), Silicone oil (-45 to +250°C) – Case and ring AISI 316 L – Sekurit glass lens, PMMA window - Thermo-well on request – ATEX certified version with thermo-well, **ATEX Ex II 2 GD c** (on request)

BAMO MESURES

22, Rue de la Voie des Bans - Z.I. de la Gare - 95100 ARGENTEUIL

Tél : (+33) 01 30 25 83 20 - Web : www.bamo.fr

Fax : (+33) 01 34 10 16 05 - E-mail : info@bamo.fr

Bimetal thermometers

T 500

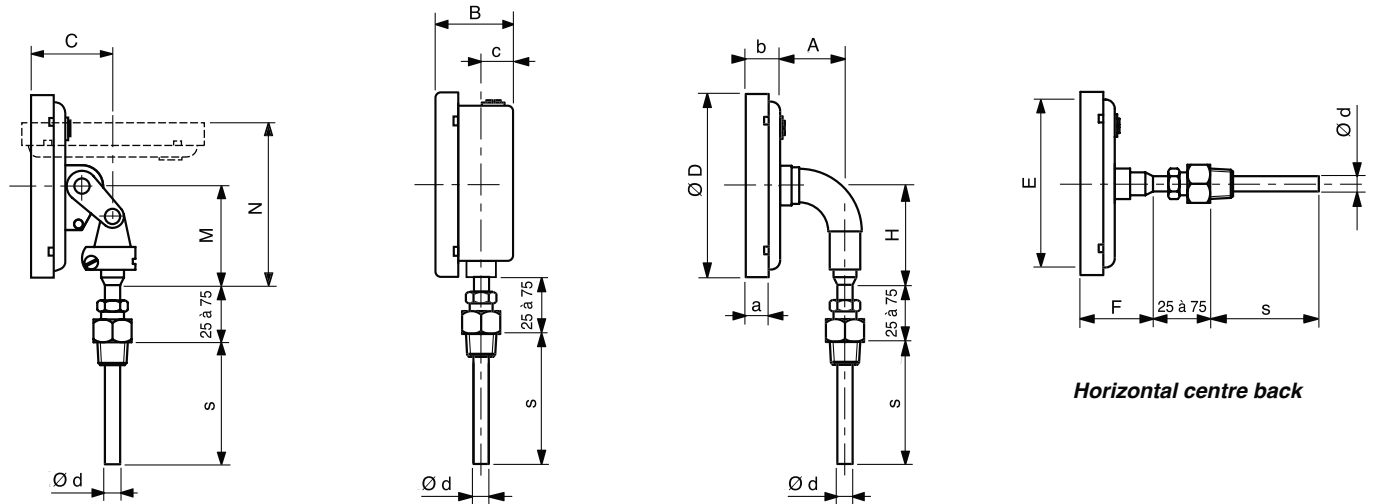
05-01-2011

696 11 01 A

TE

696-01/1

DIMENSIONS



Centre back mounting with adjustable angle (180° angle)

Lower vertical (A)

Centre back vertical (B)

Horizontal centre back

DS	a	b	c	Ø d	A	B	C	Ø D	E	F	H	M	N	s
100	12.5	19	15.5	(1)	35	48	50.5	111	100	32	60	58	78	(2)
125	15	21	15.5	(1)	35	50	52.5	129	118.5	34	70	58	78	(2)
150	15	21	15.5	(1)	35	50	52.5	161	149	34	85	58	78	(2)

(1) and (2) According to minima –see table further on

REFERENCE DESCRIPTION

- (1) Case diameter **100, 125, 150**
- (2) Model **T500**
- (3) Process connection
- | | |
|-----------|------------|
| 7 | 1/2" NPT-M |
| 8 | 1/2" BSP-M |
| 12 | 3/4" NPT-M |
| 13 | 3/4" BSP-M |
- (4) Mounting
- | | |
|----------|------------------------------|
| L | Vertical A or B (LA or LB) |
| R | Horizontal centre back |
| E | Centre back adjustable angle |
- (5) Measuring scales
- (6) Stem diameter
- | | |
|------------|--------|
| B6 | 6 mm |
| B64 | 6,4 mm |
| B8 | 8 mm |
- (7) Stem length **S** xxx length in mm
(included thread length)
- (8) **OPTIONS**
- | | |
|-----------|---|
| CS | Case and ring AISI 316 |
| SF | SEKURIT glass window |
| P | PMMA window |
| PG | Glycerine case & stem filling |
| PZ | Silicon oil case & stem filling |
| SX | Stainless steel TAG plate |
| SW | Dial tag marking |
| AT | ATEX certified version + thermo-well TW |

Scale ranges

Scale range °C	Graduation °C	Measuring range °C (1)	Error limit °C
- 70 ... + 30	1	- 60 ... +20	1
- 50 ... + 50	1	- 40 ... +40	1
- 30 ... + 50	1	- 20 ... +40	1
- 20 ... + 60	1	- 10 ... +50	1
0 ... + 60	1	+ 10 ... +50	1
0 ... + 80	1	+ 10 ... +70	1
0 ... + 100	1	+ 10 ... +90	1
0 ... + 120	2	+ 10 ... +110	2
0 ... + 160	2	+ 20 ... +140	2
0 ... + 200	2	+ 20 ... +180	2
0 ... + 250	5	+ 30 ... +220	2,5
0 ... + 300	5	+ 30 ... +270	5
0 ... + 400	5	+ 50 ... +350	5
0 ... + 500	5	+ 50 ... +450	5

(1) The measuring range is indicated on the dial between two triangle indexes. Between both indexes the error limit is according to EN 13 190.

Stem length, minima vs. stem diameter

Measuring range °C	Stem Ø 6 or 6,4 mm	Stem Ø 8 mm
0 ... + 60	150	135
0 ... + 80	135	110
0 ... + 100	115	110
0 ... + 120	110	100
0 ... + 160 to 0 ... + 500	100	90

Other lengths: on request

Example:

(1) 125 (2) T500 (3) 7 (4) L (5) 100 °C (6) B8 (7) S 200 (8) SF - SX

BAMO MESURES

22, Rue de la Voie des Bans - Z.I. de la Gare - 95100 ARGENTEUIL

Tél : (+33) 01 30 25 83 20 - Web : www.bamo.fr

Fax : (+33) 01 34 10 16 05 - E-mail : info@bamo.fr

Bimetal thermometers

T 500

05-01-2011

696 I1 01 A

TE

696-01/2