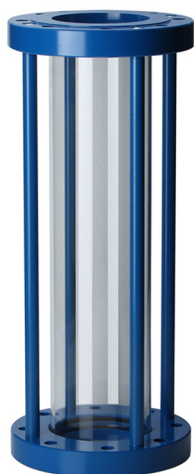


In-line sight glass SGL



- Direct visualization of flows
- ND 50 to ND 250
- Borosilicate glass tube
- Pressure drop free
- Simple - Reliable - Maintenance free

APPLICATIONS

The devices Visioflux SGL are used for the direct viewing of liquid in piping. SGL is useful for water, lubricating oil, alkaline or acid liquids. By selecting the appropriate material, the sight glass can be used with aggressive liquids.

DESCRIPTION

The transparent tube is made of borosilicate glass, plus four spacers and two flanged fittings. Due to its simple design, the service is maintenance-free. With the external radial seals, there is no change in cross-section and thus, no pressure loss. The Visioflux SGL exists in two standard versions (Steel or stainless steel) and may be supplied with a plastique frame (PVC, PPH or PVDF) We also carry out special manufacturing, on specifications.

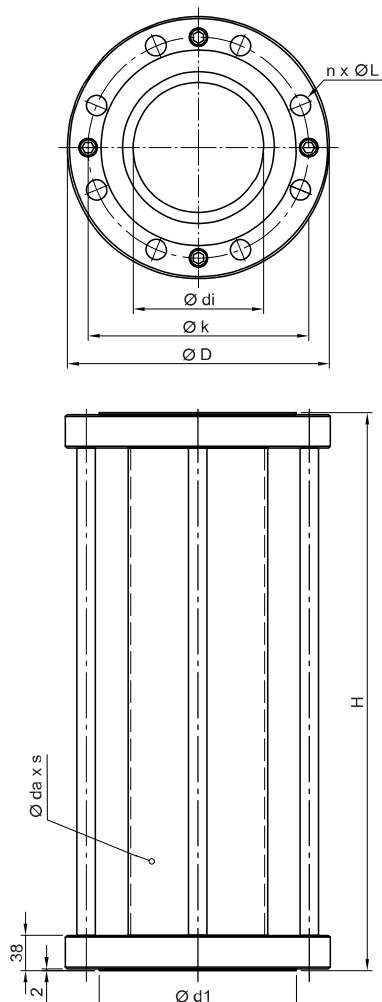
TECHNICAL FEATURES

Operating temperature ¹⁾	Max. 70 °C
	¹⁾ The liquid must not freeze
Ambien temperature	Max. 70 °C
Fittings	Flanged type DIN EN 1092-1, PN10 (other on request)
Corrosion protection	Epoxy paint, kiln-dried, traffic blue (RAL 5017), satin finished
Protection class	C2

Materials	SGL	SGL-V4A
Sight glass	Borosilicate glass	Borosilicate glass
Spacers	S355	AISI 316 Ti (1.4571); Option: Hastelloy C4
Flanges	S355	AISI 316 Ti (1.4571); Option: Hastelloy C4
Seals	NBR	NBR (Option: FPM)

DIMENSIONS

ND	Ø D	Ø k	Ø d1	n	Ø L	H	Ø da	s	Ø di	P max.
50	165	125	102	4	18	600	63.5	4.5	54.6	8 bar
65	185	145	122	8	18	600	77	5	67	9.7 bar
80	200	160	138	8	18	600	90	5	80	8.2 bar
100	220	180	158	8	18	600	115	5	105	6.4 bar
125	250	210	188	8	18	600	140	5	130	5.2 bar
150	285	240	212	8	22	600	170	5	160	4.2 bar
200	340	295	268	8	22	600	200	5	190	3.6 bar
250	395	350	320	12	22	600	270	5	260	2.6 bar



BAMO INTERNATIONAL

22, Rue de la Voie des Bans · Z.I. de la gare · 95100 ARGENTEUIL

Tel +33 (0)1 30 25 83 20 Web www.bamo.eu

Fax +33 (0)1 34 10 16 05 E-mail export@bamo.fr

In-line sight glass
SGL

30-12-2020

D-719.10-EN-AA

DEB

719-10/1