

# Flow-rate indicator for liquid G6/G5



- For liquids
- Various scales up to 63,000 l/h
- Diver: AISI 316 L or PTFE
- Fittings: Flanges or threads
- Options: 4-20 mA, contacts, Ex version

## APPLICATIONS

Local indication of instant flow of liquids.

## DESCRIPTION

The flow-rate is indicated on the front (magnetic coupling of the diver with the external indicator). The short distance of 250 mm between flanges allows an installation in reduced space. In addition, no straight pipe distances upstream and downstream are required.

### Operation:

Through the measuring tube (including a calibrated orifice and a conical diver), the flow lifts the diver (up to equilibrium height against its weight). The direct reading is on an analogue display, isolated from the liquid.

**This instrument must be installed for a vertical and upward flow.**

## TECHNICAL FEATURES

Turndown:	1 to 10
Scale length:	80 mm
Accuracy	± 1.5 % F.S. (without transmitter) ± 1 % F.S. (with transmitter 4-20 mA)
Repeatability	0.5 % F.S.
Pressure limit	40 bar
Temperature limits	-10 ... +150 °C (without contacts) -10 ... +100 °C (with contacts) -10 ... +90 °C (with transmitter 4-20 mA) -30 ... +300 °C (Version high temperature)
Fittings	Flanges PN 16, UNI EN 1092-1 (standard G6), Threads DIN 11851 (standard G5); NPT on request
Protection	IP 67

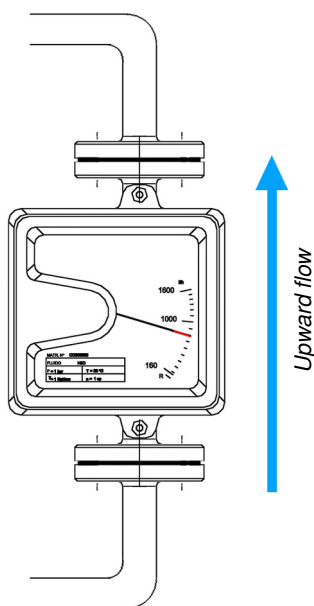
### Materials:

Housing	Cast aluminum; Epoxy painted
Wet parts	AISI 316 L Options : Titanium, Hasteloy C

### Options

- Alarms: 1 or 2 inductive contacts adjustable on full scale; Supply 8 V DC
- Transmitter 4-20 mA, 2-wire, LCD display (Flow-rate, %, Totalization); Power supply 24 V DC ±10 %
- Ex version: EEx ia IIC T6 (Intrinsic safety) or EEx d IIB T4 (Explosion-proof cabinet)

**EC Conformity:** The instrument meets the legal requirements of the current European Directives.



**BAMO** INTERNATIONAL

22, Rue de la Voie des Bans · Z.I. de la gare · 95100 ARGENTEUIL  
Tel +33 (0)1 30 25 83 20 Web [www.bamo.eu](http://www.bamo.eu)  
Fax +33 (0)1 34 10 16 05 E-mail [export@bamo.fr](mailto:export@bamo.fr)

Flow-rate indicator for liquid  
**G6/G5**

19-03-2020

D-741.01-EN-AB

**DEB**

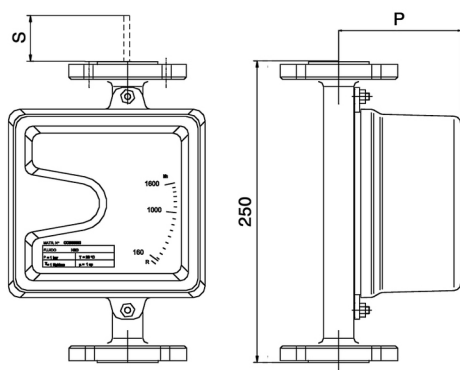
741-01 /1

## CODE NUMBERS AND REFERENCES

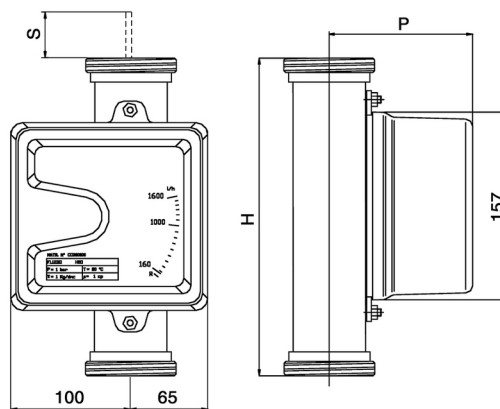
G6 with flanges UNI EN 1092-1 (Scale for water at 20 °C)

Type - ND	$\Delta P$ for AISI 316 [mbar]	Flow indicator; Wet parts AISI 316 L		Flow indicator; Wet parts: PTFE	
		Code	Flow-rate [l / h]	Code	Flow-rate [l / h]
2600 - ND 15	150	741 215	2.5 ... 25	-	-
		741 216	4...40	741 415	2.5 ... 25
		741 217	6.3 ... 63	741 416	4...40
	160	741 218	10...100	741 417	6,3...63
	170	741 219	16...160	741 418	10...100
	180	741 220	25...250	741 419	16...160
	190	741 221	40...400	741 420	25...250
2800 - ND 25	110	741 222	63...630	741 421	40...400
		741 225	100 ... 1 000	741 425	63...630
	140	741 226	160 ... 1 600	741 426	100 ... 1 000
	170	741 227	250 ... 2 500	741 427	160 ... 1 600
3100 - ND 50	210	741 228	400 ... 4 000	741 428	250 ... 2 500
	230	741 250	630 ... 6 300	741 450	400 ... 4 000
	250	741 251	1 000 ... 10 000	741 451	630 ... 6 300
3300 - ND 80	250	741 252	1 600 ... 16 000	741 452	1 000 ... 10 000
3400 - ND 100	260	741 253	2 500 ... 25 000	741 453	1 600 ... 16 000
		741 280	4 000 ... 40 000	741 480	3 000 ... 30 000
		741 290	6 300 ... 63 000	741 490	4 000 ... 40 000

## DIMENSIONS [mm]



G6 model



G5 model

Type	G6: flange fittings				G5: Threaded fittings				
	UNI EN 1092-1	S [mm]	P [mm]	Mass [kg]	DIN 11851	H [mm]	S [mm]	P [mm]	Mass [kg]
2600	DN 15	39	103	3.8	1"	265	31.5	123	2.7
2800	DN 25	55	110	4.9	1 ½"		45.5	130	3.3
3100	DN 50	67	128	9.9	2 ½"		60.5	148	5.7
3300	DN 80		141	13.5	4"	274	53	168	8.2
3400	DN 100		157	16.5	-	-	-	-	-

**BAMO** INTERNATIONAL

22, Rue de la Voie des Bans · Z.I. de la gare · 95100 ARGENTEUIL

Tel +33 (0)1 30 25 83 20 Web [www.bamo.eu](http://www.bamo.eu)

Fax +33 (0)1 34 10 16 05 E-mail [export@bamo.fr](mailto:export@bamo.fr)

Flow-rate indicator for liquid  
**G6/G5**

19-03-2020

D-741.01-EN-AB

**DEB**

**741-01/2**