

Flow-rate indicator for gas C6/C5



- For gases
- Ranges: 0.08 to 1,000 Nm³/h (Air)
- Fittings: Flanges or Threads
- Options: 4-20 mA, contacts, Ex version

APPLICATIONS

Indication of instant flow of gases, with remote signals (options)

DESCRIPTION

The flow-rate is indicated on the front (magnetic coupling of the diver with the external indicator). The distance of 250 mm between fittings allows installation in reduced spaces. In addition, no straight pipe distances upstream and downstream are required.

Operation

Through the measuring tube (including a calibrated orifice and a conical diver), the flow lifts the diver (up to equilibrium height against its weight). The particular shape of the diver makes the instrument less sensitive to variations of viscosity.

To guarantee the proper functioning of the device, the flow must be vertical with an upward flow.

TECHNICAL FEATURES

Turndown	1 to 10
Scale length	80 mm
Accuracy	± 1.5 % F.S.; without transmitter ± 0.5 % F.S.; with transmitter
Repeatability	0.5 % F.S.
Pressure limit	40 bar (higher pressure: on request)
Temperature limits	-10 ... +150 °C (without alarm contact) -10 ... +100 °C (with alarm contact) -10 ... +90 °C (with transmitter) -30 ... 300 °C (High temperature version)
Fittings	Flanges PN16, UNI EN 1092-1 (standard C6) BSP DIN 11851 (standard C5); NPT on request
Protection	IP 67

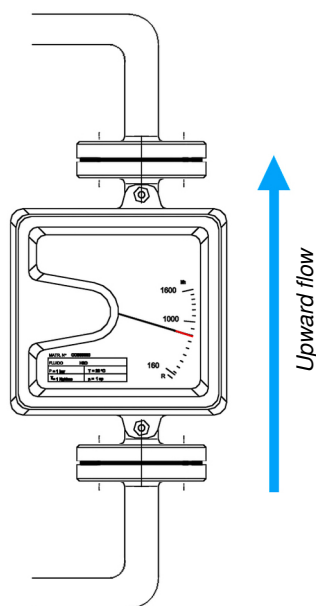
Materials:

Housing	Cast aluminum, epoxy painted
Wet parts	AISI 316 L (PVDF on DN80 model) Options : Monel, Titanium, Hastelloy C

Options:

- Alarms: 1 or 2 inductive contacts adjustable all along the scale; Supply: 8 V DC
- Transmitter 4-20 mA, 2-wire, LCD display (Flow-rate, %, Totalization); Power supply 24 V DC ±10 %
- Ex version: EEx ia IIC T6 (Intrinsic safety) or EEx d IIB T4 (Explosion-proof enclosure)

EC Conformity: The instrument meets the legal requirements of the current European Directives.



BAMO INTERNATIONAL

22, Rue de la Voie des Bans · Z.I. de la gare · 95100 ARGENTEUIL
Tel +33 (0)1 30 25 83 20 Web www.bamo.eu
Fax +33 (0)1 34 10 16 05 E-mail export@bamo.fr

Flow-rate indicator for gas
C6/C5

19-03-2020

D-742.01-EN-AB

DEB

742-01 /1

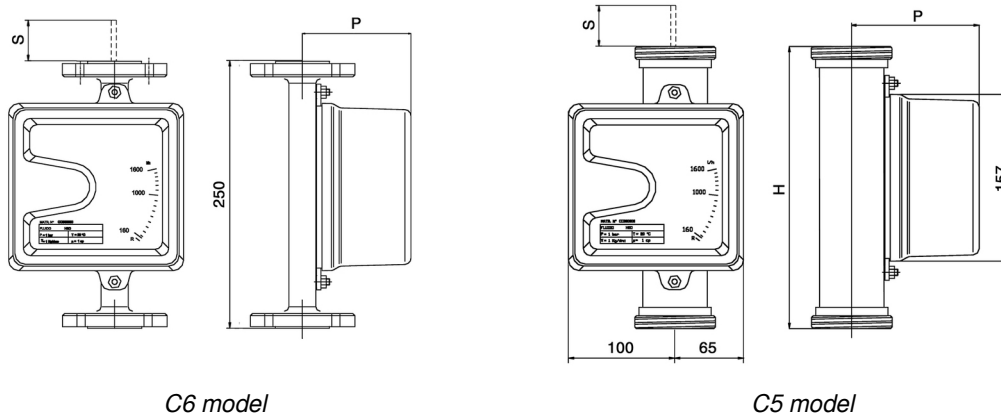
CODE NUMBERS AND REFERENCES

Models C6 - 250 AISI 316 and flanges UNI EN 1092-1 (* = PVDF diver)

Type - ND	AIR, 20 °C, Nm ³ /h, P = 1013 mbar	ΔP [mbar]
2600 - ND 15	0.08 ... 0.80	55
	0.12 ... 1.20	57
	0.2 ... 2.0	
	0.3 ... 3.0	40
	0.5 ... 5.0	
	0.75 ... 7.50	
	1.2 ... 12.0	36
2...20		
2800 - ND 25	3...30	45
	2...50	50
	7.5 ... 75	
	12...120	
3100 - ND 50	7.5 ... 75	50
	12...120	
	20...200	45
	30...300	
	50...500	
3300 - ND 80	50...500 *	48
	57.5 ... 575 *	
	100 ... 1,000 *	85

ΔP [mbar] = pressure drop - Confirm: AIR or gas; P = __ bar/Abs, Temp.= __ °C, Density = __ kg /m³

DIMENSIONS [mm]



C6 model

C5 model

Type	C6, flanges			C5, BSP			
	UNI EN 1092-1	P [mm]	Mass [kg]	DIN 11851	H [mm]	P [mm]	Mass [kg]
2600	ND 15	107	3.8	1"	265	103	2.7
2800	ND 25	115	4.9	1 1/2"		110	3.3
3100	ND 50	132 / 139**	9.9	2 1/2"		128	5.7
3300	ND 80	145	13.5	4"	274	141	8.2
3400	ND 100	161	16.5				

BAMO INTERNATIONAL

22, Rue de la Voie des Bans · Z.I. de la gare · 95100 ARGENTEUIL

Tel +33 (0)1 30 25 83 20 Web www.bamo.eu

Fax +33 (0)1 34 10 16 05 E-mail export@bamo.fr

Flow-rate indicator for gas
C6/C5

19-03-2020

D-742.01-EN-AB

DEB

742-01 /2