

# Ultrasonic flow-meter BAMOFLONIC 42i



- For liquids electrically conductive or not
- Ranges from 0.024 up to to 60 l/min
- Wet parts all in PE-HD
- 1 Analogue output 0/4-20 mA
- 1 Digital output (various functions)

## APPLICATIONS

The BAMOFLONIC 42i is well suited for measuring flow and dosing liquids:

- Demineralized water, cosmetics, liquid foods
- Toxic chemicals
- Aggressive liquids such as acids and alkalis

## DESCRIPTION

BAMOFLONIC 42i applies propagation ultrasonic waves principle to measure the speed of a liquid, then to calculate the corresponding flow-rate.

Therefore, it is convenient for liquids electrically conductive or not.

BAMOFLONIC 42i has no moving components and is therefore wear-free.

The device is characterized by its high measuring accuracy and reproducibility. Some liquids or their concentrations, are not compatible with the ultrasonic measuring principle; Please, contact us for information.

## TECHNICAL FEATURES

Power supply	24 V DC / 3,6 W
Outputs	1 Digital output to set up (pulses or alarm for empty tube, flowing back alarm, dosage, or min./max. alarms). 1 Analogue output 0/4 ... 20 mA, scalable
Display	Alphanumeric back lighted LCD display
Electrical connection	Connector M12 (5 pins)
Accuracy	Standard, $\pm 2\%$ of reading and $\pm 3$ mm/s (According VDI/VDE 2642)
Repeatability	$\leq 0.5\%$
Liquid temperature	0... +60 °C
Pressure	max. 7bar at 20 °C
Protection	IP 65
Fittings	Internal threads BSP
Materials	PE-HD (option: PVDF for ND10)
Options	Access to engineering parameters with USB/RS485 adaptor and software Remote display Accuracy: $\pm 1\%$ of reading and $\pm 3$ mm/s

**EC Conformity: The instrument meets the legal requirements of the current European Directives**

**BAMO** INTERNATIONAL

22, Rue de la Voie des Bans · Z.I. de la gare · 95100 ARGENTEUIL

Tel +33 (0)1 30 25 83 20 Web [www.bamo.eu](http://www.bamo.eu)

Fax +33 (0)1 34 10 16 05 E-mail [export@bamo.fr](mailto:export@bamo.fr)

Ultrasonic flow-meter  
**BAMOFLONIC 42i**

19-10-2018

D-776.04-EN-AB

**DÉB**

**776-04/1**

## CODE NUMBERS AND REFERENCES

ND	Code	Measuring range		Fittings
		l/min	l/h	
5	776 030	0.024 ... 3	1.44 ... 180	G1/2"
7	776 032	0.09 ... 6	5.4 ... 360	G1/2"
10	776 034	0.3 ... 24	18 ... 1440	G3/4"
15	776 036	0.9 ... 60	54 ... 3600	G1"

**On request: Wet parts in PVDF for ND10 (code 776 044)**

Measuring ranges at constant flow-rate, for pulsating flow-rate from 0.5 l/h (= 0.008 l / min)

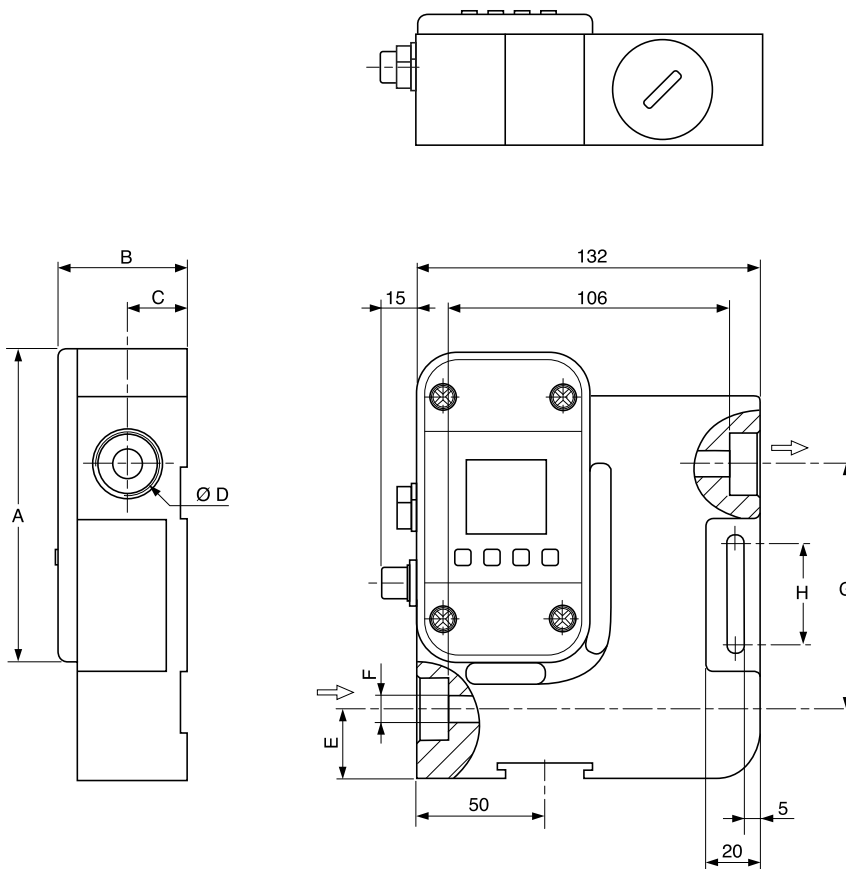
Fitting adaptor (in option): BSP 1/2", 3/4", 1" on request

### Accessories:

Code	Reference	Description
251 260	RSZE*	Interfacing relay 24 V DC, 2 change-over contacts, 8 A / 260 V AC, LED indicator of status

\* To connect to the digital output (set as NPN or PNP output)

## DIMENSIONS / WEIGHT



ND	A [mm]	B [mm]	C [mm]	D [inch]	E [mm]	F [mm]	G [mm]	H [mm]	Mass [kg]
5	168	50	23	G1/2"	25	7	98	40	0.670
7	168	50	23	G1/2"	25	7	98	40	0.670
10	171	50	23	G3/4"	26.5	10	95	40	0.720
15	176	55	25	G1"	29	15	90	30	0.895

# BAMO INTERNATIONAL

22, Rue de la Voie des Bans · Z.I. de la gare · 95100 ARGENTEUIL

Tel +33 (0)1 30 25 83 20 Web [www.bamo.eu](http://www.bamo.eu)

Fax +33 (0)1 34 10 16 05 E-mail [export@bamo.fr](mailto:export@bamo.fr)

Ultrasonic flow-meter  
**BAMOFLO NIC 42i**

19-10-2018

D-776.04-EN-AB

**DÉB**

**776-04/2**