

Differential pressure gauge

DP 800



CASE DIAMETER

100 or 150 mm

ACCURACY

Class 1.6

SCALE RANGES

From 0...60 mbar to 600 mbar...25 bar

OVERPRESSURE

100 bar on one input at a time

STATIC PRESSURE LIMIT

All scales: 200 bar as a maximum

TEMPERATURE LIMITS

Ambient: -25 to +65°C – process: 100°C with liquid filling

DRAFT DUE TO THE TEMPERATURE

When the measuring system temperature is different from the reference temperature (+20°C) the draft is $\pm 0.6\%$ / 10 K of reading.

TECHNICAL FEATURES

PROCESS CONNECTIONS

Vertical, Stainless steel: AISI 316 L

Standard: thread 1/4" NPT Female

On request: Gas or NPT = 1/4" or 1/2" = male or female

MEASURING CHAMBER

Double diaphragm Stainless steel AISI 316 L

Filling: Silicon oil (other on request)

SEAL

FKM

SCREWS

Stainless steel: AISI 304

MOVEMENT

Stainless steel: AISI 304

DIAL

White, black marks

POINTER

Black, adjustable

CASE AND RING

Stainless steel: AISI 304

PROTECTION CLASS

IP 55 – EN 60529 / IEC 529

WINDOW

Glass 4 mm thick

SEALING

Neoprene gasket

MOUNTING

Direct, vertical (standard); other on request:

Front or rear flange, U tube clamp for 2" pole diam.

DRAINS

2 screws 1/4" NPT Male, Stainless steel AISI 316 L

BAMO MESURES

22, Rue de la Voie des Bans - Z.I. de la Gare - 95100 ARGENTEUIL

Tél : (+33) 01 30 25 83 20 - Web : www.bamo.fr

Fax : (+33) 01 34 10 16 05 - E-mail : info@bamo.fr

Differential pressure gauge
DP 800

15-10-2010

812.11 14 B

PR

812-14/1

812

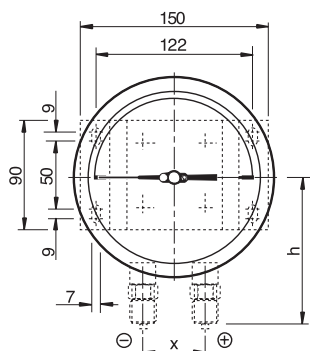
OPTIONS

Case and ring AISI 316 L – SEKURIT glass window or PMMA – Glycerine or silicone oil case filled – Oxygen application: grease free measuring system – Static pressure up to 200 bar

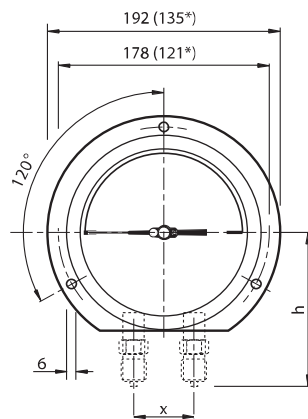
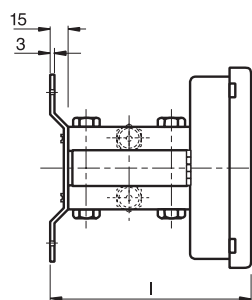
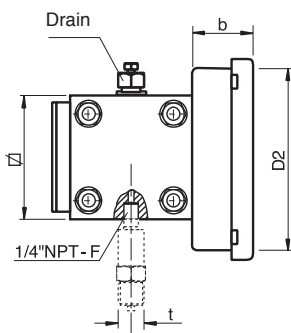
ACCESSORIES

Capillaries, needed 2 pieces – Manifold 3 valves or 5 valves (with drains)

DIMENSIONS



VERTICAL WALL MOUNTING



VERTICAL PANEL MOUNTING

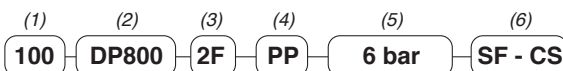
	Scale [bar]	∇	l	b	D2	t	h ±2	x
∅ 150	0...0.4 to 0...16	100	165	52	150	-	120	54
∅ 100	0...0.4 to 0...16	100	165	52	150	-	120	54

(*) = Dimensions ∅ 100 mm
t : 2 x 1/2" BSP or NPT

REFERENCE DESCRIPTION

(1) Case diameter	100 or 150 mm			
(2) Model	DP 800			
(3) Process connection	2	1/4" NPT-M	11	M 20 x 1,5
	3	1/4" BSP-M	2F	1/4" NPT-F (standard)
	7	1/2" NPT-M	7F	1/2" NPT-F
	8	1/2" BSP-M	8F	1/2" BSP-F
(4) Mounting	L	VERTICAL – Direct mounting		
	LF	PANEL MOUNTING – Front flange		
	PP	POLE MOUNTING – U tube clamp for 2" pole diam.		
(5) Measuring scales	0...60 mbar / 100/ 160/ 250/ 400/ 600 mbar - 0...1 bar up to 0...25 bar			
(6) OPTIONS	SF	Glass SEKURIT window	OS	Grease free for oxygen application
	CS	Case AISI 316	PS200	Static pressure up to 200 bar
	PG	Glycerine case filling	CAP2x1	Capillaries 2 x 1 m
	PZ	Silicon oil case filling	MAN 3	Manifold 3 valves
			MAN 5	Manifold 5 valves

Exemple :



BAMO MESURES

22, Rue de la Voie des Bans - Z.I. de la Gare - 95100 ARGENTEUIL

Tél : (+33) 01 30 25 83 20 - Web : www.bamo.fr

Fax : (+33) 01 34 10 16 05 - E-mail : info@bamo.fr

Differential pressure gauge
DP 800

15-10-2010

812.11 14 B

PR

812-14/2