

Welded one-piece gauge guard D103



- Body and diaphragm: AISI 316 L
- Welded one-piece gauge guard
- Small dimensions
- Operating pressure: -1 ... 0 ... 70 bar

APPLICATIONS

- For corrosive, contaminated or viscous fluids
- Chemical and petrochemical industry
- Industry with aggressive ambient conditions.

DESCRIPTION

The D103 one-piece gauge guards are designed for the protection of pressure sensors. They also protect the piping system: in the event of a destruction of measuring instrument, the gauge guard seals the circuit.

Transmission of pressure between pressurized fluid in the pipe and the pressure sensor is carried out via an incompressible liquid. The filling of the system gauge guard + sensor must be done under vacuum. This assembly done on our filling bench, guarantees the accuracy of measurements.

Note: Assembly of our gauge guards on pressure sensors provided by customers is subject to previous acceptance.

TECHNICAL FEATURES

Operating range	-1 ... 0 ... 70 bar
Filling	Silicone oil DC 200 (-40 ... 205 ° C)
Body	AISI 316
Diaphragm	AISI 316 (laser welded)
Instrument connection	BSP-F: or 1/4" or 1/2"
Process connection	BSP-M: or 1/4" or 1/2" NPT-M: 1/2"

Accessories :

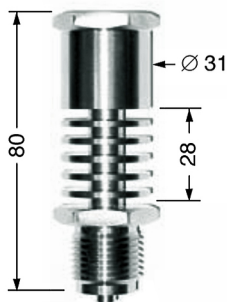
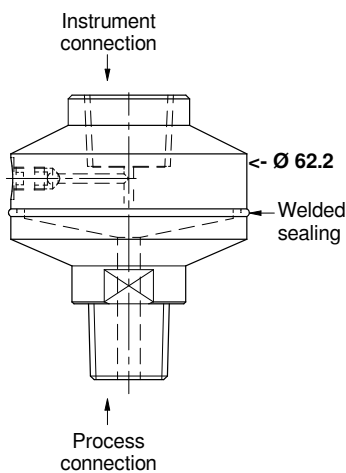
- Thermal isolation: Radiator in AISI 316 L
(Mounting on the instrument connexion of the gauge guard)

EC Conformity: The instrument meets the legal requirements of the current European Directives

CODE NUMBERS AND REFERENCES

Code	Reference	Fittings	
		Instrument	Process
812 445	DS 103 1/2 GF x 1/2 GM	BSP-F 1/2"	BSP-M 1/2"
812 447	DS 103 1/4 GF x 1/4 GM	BSP-F 1/4"	BSP-M 1/4"
812 448	DS 103 1/2 GF x 1/2 NPT M	BSP-F 1/2"	NPT-M 1/2"
Accessory			
816 470	Thermal isolation radiator for gauge guards		

Options on request: Certificates , other configurations



Accessory: Radiator for thermal isolation

BAMO INTERNATIONAL

22, Rue de la Voie des Bans · Z.I. de la gare · 95100 ARGENTEUIL
Tel +33 (0)1 30 25 83 20 Web www.bamo.eu
Fax +33 (0)1 34 10 16 05 E-mail export@bamo.fr

Welded one-piece gauge
guard
D103

01-02-2022

D-812.40-EN-AC

PR

812-40/1