

High pressure sensor guards, flush diaphragm D104



- All stainless steel
- Flush diaphragm
- Ideal for pressure transmitters
- Operating range: 0-70 bar ... 0-700 bar

APPLICATIONS

- To protect Bourdon tube pressure gauges or high pressure transmitters
- For aggressive, dirty, viscous fluids in the chemical and food industries

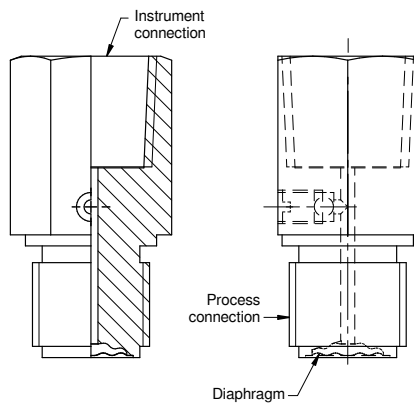
TECHNICAL FEATURES

Operating pressure 0-70 bar ... 0-700 bar

Mounting Direct

EC Conformité: The instrument meets the legal requirements of the current European Directives

CODE NUMBERS AND REFERENCES



Code	Description
812 xxG	D104-G High pressure gauge guard; To specify: 0-70 bar ... 0-700 bar Instrument connection BSP-F 1/2"; Process connection BSP-M 1/2"
812 xxN	D104-N High pressure gauge guard; To specify: 0-70 bar ... 0-700 bar Instrument connection NPT-F 1/2"; Process connection NPT-M 1/2"

Options on request: Certificates and other configurations

BAMO INTERNATIONAL

22, Rue de la Voie des Bans · Z.I. de la gare · 95100 ARGENTEUIL

Tel +33 (0)1 30 25 83 20 Web www.bamo.eu

Fax +33 (0)1 34 10 16 05 E-mail export@bamo.fr

High pressure sensor guards,
flush diaphragm
D104

02-02-2022

D-812.42-EN-AA

PR

812-42/1