

Capsule pressure gauge, AISI 316 / EN 837-1 P601



- All stainless steel
- Case: Diam. 100 or 150 mm
- Ranges: -600 ... 25 ... 600 mbar

APPLICATIONS

- Dedicated to low pressure measurements

TECHNICAL FEATURES

Accuracy	Class 1.6
Type	Dry dial
Ambient temperature	-40 ... +65 °C
Fluid temperature	Max. 100 °C
Temperature drift	Maximum display error $\pm 0.4\%$ / 10 °C of reading in case of 20 °C deviation from the normal temperature.
Operating ranges	-600 ... 25 ... 600 mbar 6 ... 16 mbar (Diam. 150 mm)
Movement	Welded capsule
Protection	IP 54
Process connection	BSP-M or NPT-M 1/2" BSP-M or NPT-M 1/4" BSP-M 3/8" M20 x 1.5 / male

PRESSURE LIMITS

Static	End of scale
Dynamic	0.9 x end of scale

MATERIALS

Capsule	AISI 316 L
Movement	AISI 304
Case and ring	AISI 304
Weld sealing	Arc welding - TIG argon
Seals	Neoprene
Dial	Aluminum, black graduations on white background
Pointer	Aluminum, black coating; Adjustable zero
Window	SEKURIT glass

Options on request: Certificates, or other configurations

EC Conformity: The instrument meets the legal requirements of the current European Directives.

BAMO INTERNATIONAL

22, Rue de la Voie des Bans · Z.I. de la gare · 95100 ARGENTEUIL

Tel +33 (0)1 30 25 83 20 Web www.bamo.eu

Fax +33 (0)1 34 10 16 05 E-mail export@bamo.fr

Capsule pressure gauge, AISI
316 / EN 837-1
P601

09-02-2022

D-812.78-EN-AA

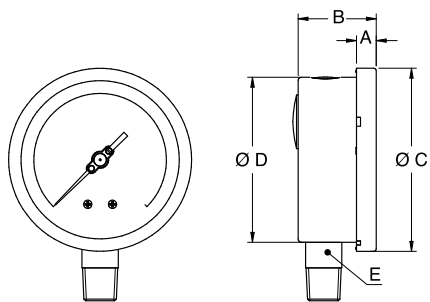
PR

812-78/1

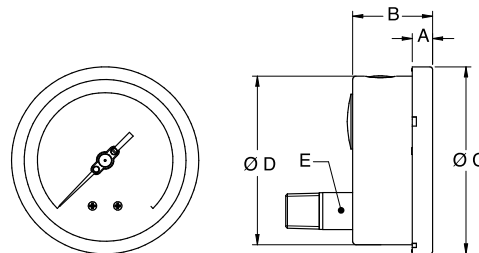
CODE NUMBERS AND REFERENCES

Code	Reference	Description
812 xxx	P601	All stainless steel capsule pressure gauge / EN 837-1 Diam.100 mm; Process: BSP-M 1/2"; Vertical & direct mounting; Range O/A
Mounting		
812 xxx	P601 B0	Vertical & Direct mounting
812 xxx	P601 L0	Central rear connection - Wall mounting
812 xxx	P601 B1	Vertical connection - Rear flange - Wall mounting

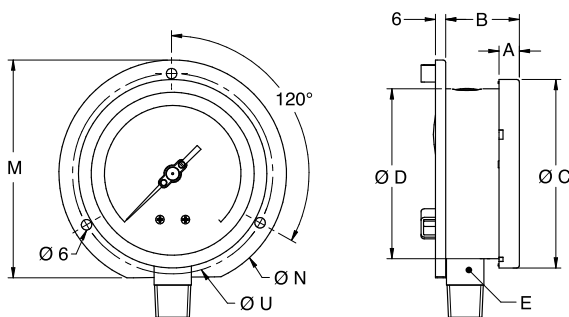
DIMENSIONS



B0 Mass: Diam.100 = 523 g; Diam.150 = 932 g



L0 Mass: Diam.100 = 523 g; Diam.150 = 932 g



L1 Mass: Diam.100 = 638 g; Diam.150 = 1105 g

Diam.	A [mm]	C [mm]	D [mm]	E	B [mm] B0/L0	B [mm] L1	M [mm]	Ø N [mm]	Ø U [mm]
100	12	111	100	SQ.22	48	52	128	134	118
150	15	161	149				172.4	186	168

BAMO INTERNATIONAL

22, Rue de la Voie des Bans · Z.I. de la gare · 95100 ARGENTEUIL
 Tel +33 (0)1 30 25 83 20 Web www.bamo.eu
 Fax +33 (0)1 34 10 16 05 E-mail export@bamo.fr

Capsule pressure gauge, AISI
 316 / EN 837-1
P601

09-02-2022

D-812.78-EN-AA

PR

812-78/2