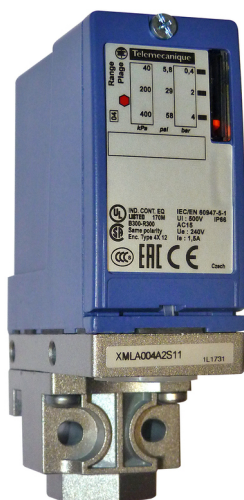


Pressure switches XMLA

- Range: 0.4 ... 35 bar
- Resistant to vibrations and shocks



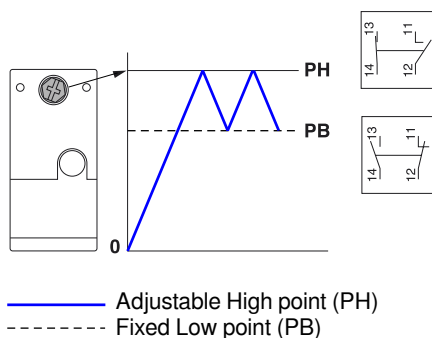
APPLICATIONS

- Local pressure monitoring without reading, with alarm contacts
- Control of fluids: Air, Softened water, Hydraulic oil

DESCRIPTION

XML-A, pressure switch, allows the triggering of a high alarm or a low alarm. The contact is adjusted using a screwdriver or an Allen key and an indication window for reaching the adjustment.

TECHNICAL FEATURES



Pressure switch type	Electromechanical pressure detector
Fluids compatibility	Air - Softened water - Hydraulic oil
Fluid temperature	0... 70 °C
Hydraulic connection	BSPF 1/4" Female thread (ISO 228)
Electrical connections	Screw terminals, 1x0.5 ... 2x2.5 mm ²
Connections	ISO n°1 (13; 14; 11; 12) OF
Cable	AWG 20 to AWG 14
Cable entry	For cable gland 9 ... 13 mm
Contacts	Silver Contacts
	1 N.O. & 1 N.C. contacts
Switch type	Single threshold detection
Outputs	Remote control
Hysteresis	Fixed hysteresis
Display	Local indicator
Pressure actuator	Diaphragm
Wet parts materials	FPM, Zinc alloy (XMLA 004A / 010A) Brass, Nitrile, Zinc alloy (XMLA 020A / 035A)
Housing material	Zinc alloy
Sealing	IP 66
Electrical protection	Class 1
Short circuit protection	10 A fuse cartridge
Overriding resistance [Uimp]	Rated voltage: 6 kV
Auxiliary contacts	Snap action maneuver
Resistance to vibrations	4 gn (f = 30 ... 500 Hz)
Resistance to mechanical shock	50 gn
Lifetime	5,000,000 cycles
Mounting positions	All positions
Operating temperature	-25 ... +70 °C
Storage temperature	-40 ... +70 °C
Mass	685 g (XMLA 004A / 020A) 695 g (XMLA 020A / 035A)
Agreements	BV CCC CSA LROS (Lloyds register of shipping) UL EAC

EC Conformity: The instrument meets the legal requirements of the current European Directives.

BAMO INTERNATIONAL

22, Rue de la Voie des Bans · Z.I. de la gare · 95100 ARGENTEUIL
Tel +33 (0)1 30 25 83 20 Web www.bamo.eu
Fax +33 (0)1 34 10 16 05 E-mail export@bamo.fr

Pressure switches
XMLA

16-03-2020

D-892.03-EN-AB

PR

892-03/1

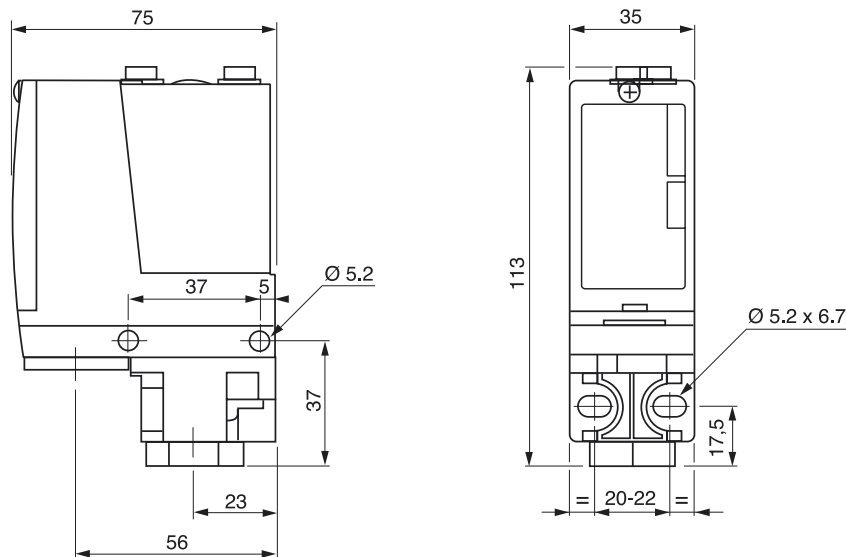
PRESSURE RANGES

Model	XMLA 004A	XMLA 010A	XMLA 020A	XMLA 035A
Adjustment range (Higher)	0.4 ... 4 bar	0.6 ... 10 bar	1 ... 20 bar	1.5 ... 35 bar
Fixed hysteresis	0.35 bar	0.5 bar	1 bar	1.25 bar
Overpressure allowed per cycle	5 bar	12.5 bar	25 bar	45 bar
Accidental pressure allowed	9 bar	22.5 bar	45 bar	80 bar
Breaking pressure	18 bar	45 bar	90 bar	160 bar

CODE NUMBERS AND REFERENCES

Code	Reference	Description
892 080	XMLA004A2S11	Pressure switch 0.4 ... 4 bar; 1 adjustable contact (N.O. or N.C.) - fitting BSPF 1/4"
892 081	XMLA010A2S11	Pressure switch 0.6 ... 10 bar; 1 adjustable contact (N.O. or N.C.) - fitting BSPF 1/4"
892 086	XMLA020A2S11	Pressure switch 1 ... 20 bar; 1 adjustable contact (N.O. or N.C.) - fitting BSPF 1/4"
892 087	XMLA035A2S11	Pressure switch 1.5 ... 35 bar; 1 adjustable contact (N.O. or N.C.) - fitting BSPF 1/4"

DIMENSIONS [mm]



BAMO INTERNATIONAL

22, Rue de la Voie des Bans · Z.I. de la gare · 95100 ARGENTEUIL

Tel +33 (0)1 30 25 83 20 Web www.bamo.eu

Fax +33 (0)1 34 10 16 05 E-mail export@bamo.fr

Pressure switches
XMLA

16-03-2020

D-892.03-EN-AB

PR

892-03/2