

Pressure relief valve DHV 712-R



- Protection of pumps and pipings
- Body: PVC-U, PP or PVDF
- Diaphragm: EPDM coated with PTFE
- Fittings from ND 10 to ND 50

APPLICATIONS

- Pressure relief valve for positive displacement and centrifugal pumps
- In-line or bypass installation according the operating conditions

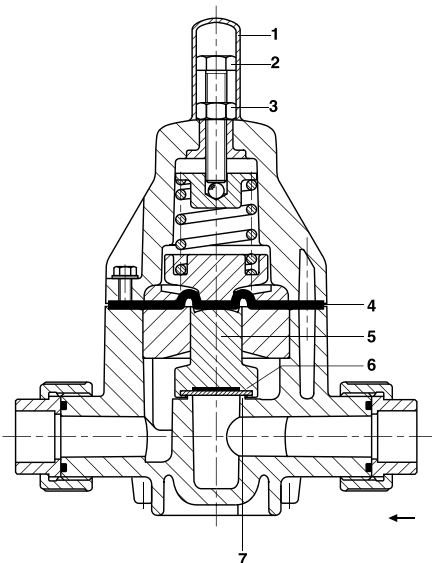
DESCRIPTION

The DHV 712-R maintains the upstream pressure at a set value to protect the piping in case of override pressure. The thrust of the pressure of fluid on the diaphragm must be greater than the spring strength to release the fluid by the outlet.

The diaphragm in EPDM (PTFE coated) separates the adjustment dry space (including the calibrated spring), from the lower space for flowing fluid. All wet parts are made of plastics; The adjustment screw is protected with a plastic cap and secured by a lock nut.

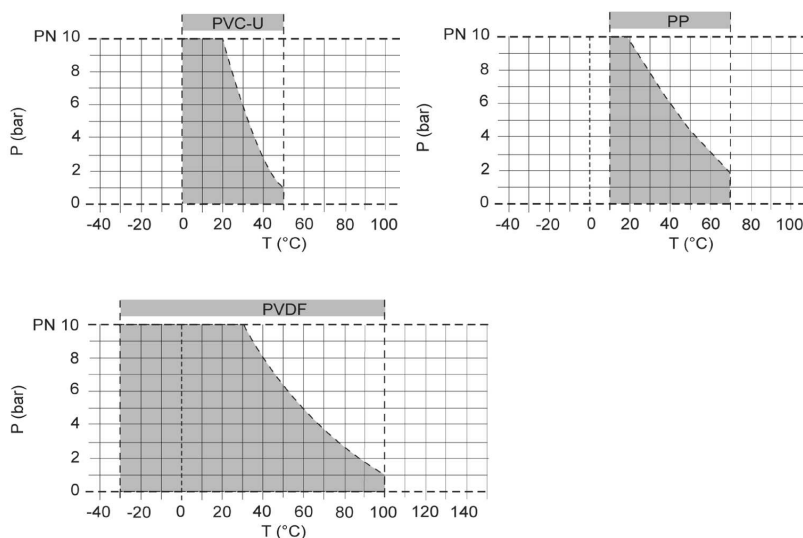
TECHNICAL FEATURES

Body	PVC-U, PP, PVDF <i>Options PTFE or stainless steel (on request)</i>
Diaphragm	EPDM, coated with PTFE
Seals	EPDM or FPM (According body material)
Fittings	Unions or male spigot ends (Flanges on request)
Pressure adjustment range	0.3 ... 10 bar
Override pressure excess	0.3 ... 0.5 bar
Hysteresis	About 0.3 bar



- 1 : protective cap
- 2 : Adjustment screw
- 3 : Blocking nut
- 4 : Diaphragm
- 5 : Piston
- 6 : Flat seal
- 7 : Sealing surface

Pressure vs. Temperature diagrams:



EC Conformity: The instrument meets the legal requirements of the current European Directives.

BAMO INTERNATIONAL

22, Rue de la Voie des Bans · Z.I. de la gare · 95100 ARGENTEUIL
 Tel +33 (0)1 30 25 83 20 Web www.bamo.eu
 Fax +33 (0)1 34 10 16 05 E-mail export@bamo.fr

Pressure relief valve
DHV 712-R

20-11-2019

D-911.05-EN-AC

PLAS

911-05/1

CODE NUMBERS AND REFERENCES

Fittings: Unions

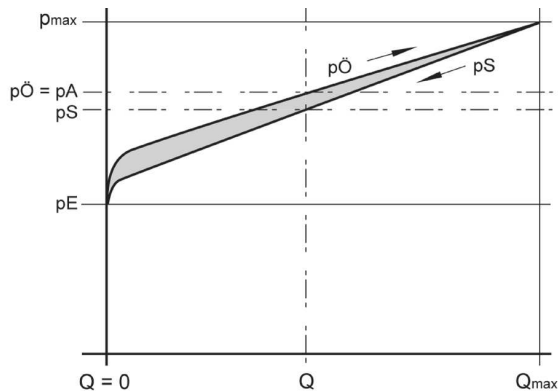
ND	PVC-U / EPDM	PVC-U / FPM	PP / EPDM	PP / FPM	PVDF / FPM
10	P 146 350	P 146 366	P 146 582	P 146 590	P 146 670
15	P 146 351	P 146 367	P 146 583	P 146 591	P 146 671
20	P 146 352	P 146 368	P 146 584	P 146 592	P 146 672
25	P 146 353	P 146 369	P 146 585	P 146 593	P 146 673
32	P 146 354	P 146 370	P 146 586	P 146 594	P 146 674
40	P 146 355	P 146 371	P 146 587	P 146 595	P 146 675
50	P 146 356	P 146 372	P 146 588	P 146 596	P 146 676

Fittings: Male spigot ends

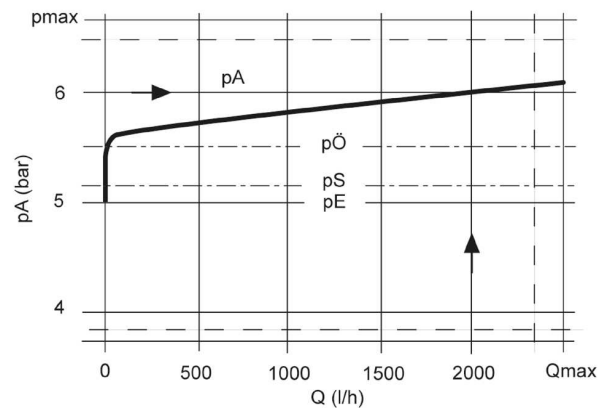
ND	PVC-U / EPDM	PVC-U / FPM	PVC-U / FPM	PP / EPDM	PVDF / FPM
10	P 146 494	P 146 510	P 146 626	P 146 634	P 146 700
15	P 146 495	P 146 511	P 146 627	P 146 635	P 146 701
20	P 146 496	P 146 512	P 146 628	P 146 636	P 146 702
25	P 146 497	P 146 513	P 146 629	P 146 637	P 146 703
32	P 146 498	P 146 514	P 146 630	P 146 638	P 146 704
40	P 146 499	P 146 515	P 146 631	P 146 639	P 146 705
50	P 146 500	P 146 516	P 146 632	P 146 640	P 146 706

Operation:

Operating diagram



Example: Operating on piping



	Description	Example
pmax	Pressure, max.	-
pA	Working pressure (adjustable from 0.3 to 10 bar)	6 bar
pE	Set relief pressure	5 bar
pA-pE	Rising pressure according flow rate	1 bar
pO	Opening pressure (between 0.3 and 0.5 bar)	5.5 bar
pS	Closing pressure	5.2 bar
pO-pS	Hysteresis (about 0.3 bar)	0.3 bar
Q	Flow rate	2,000 l/h
Qmax	Max. flow rate	-

This example shows a valve pre-set at 5 bar (opens over 5 bar)

With 1 bar in excess, the draining flow-rate is about 2,000 l/h

Resulting pressure values are listed on the table.

BAMO INTERNATIONAL

22, Rue de la Voie des Bans · Z.I. de la gare · 95100 ARGENTEUIL

Tel +33 (0)1 30 25 83 20 Web www.bamo.eu

Fax +33 (0)1 34 10 16 05 E-mail export@bamo.fr

Pressure relief valve DHV 712-R

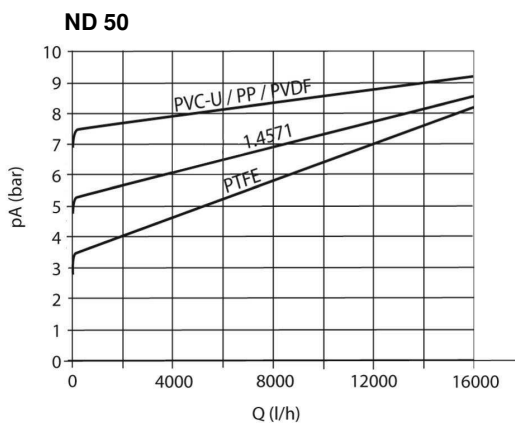
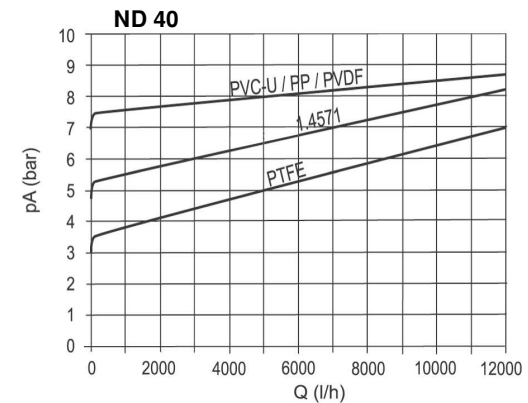
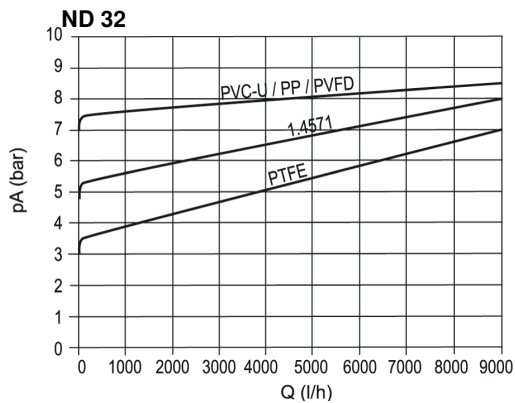
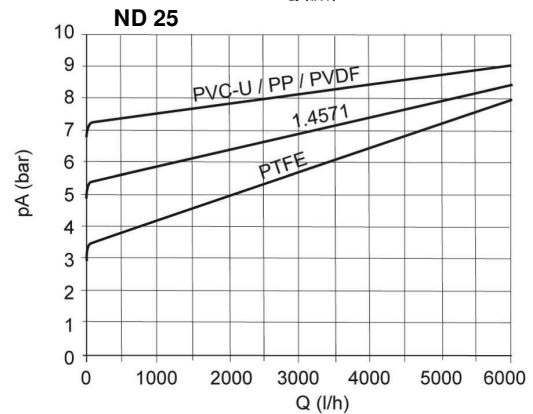
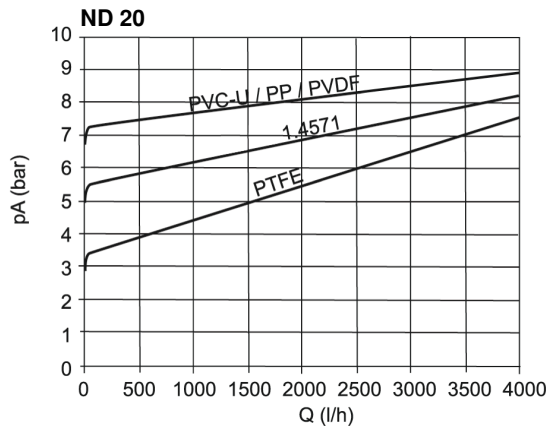
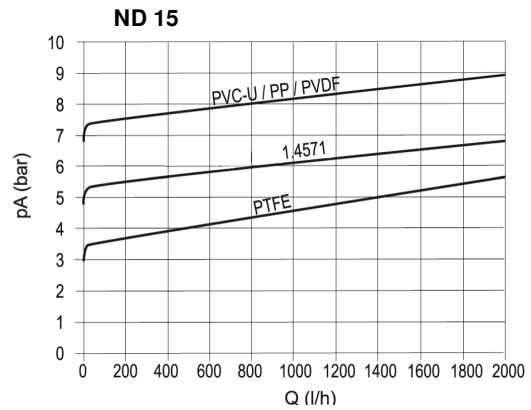
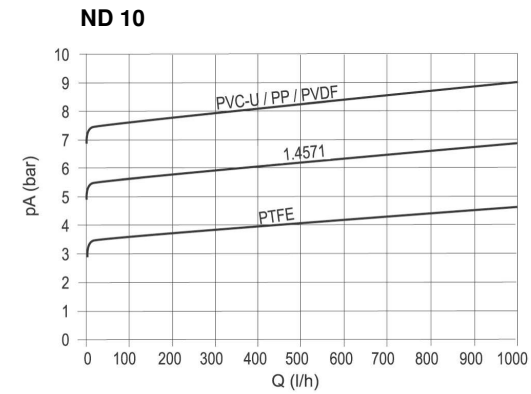
20-11-2019

D-911.05-EN-AC

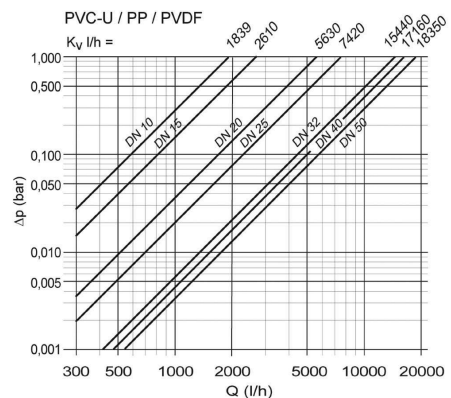
PLAS

911-05/2

Operating diagrams and pressure drop:



Pressure drop diagram



BAMO INTERNATIONAL

22, Rue de la Voie des Bans · Z.I. de la gare · 95100 ARGENTEUIL

Tel +33 (0)1 30 25 83 20 Web www.bamo.eu

Fax +33 (0)1 34 10 16 05 E-mail export@bamo.fr

Pressure relief valve
DHV 712-R

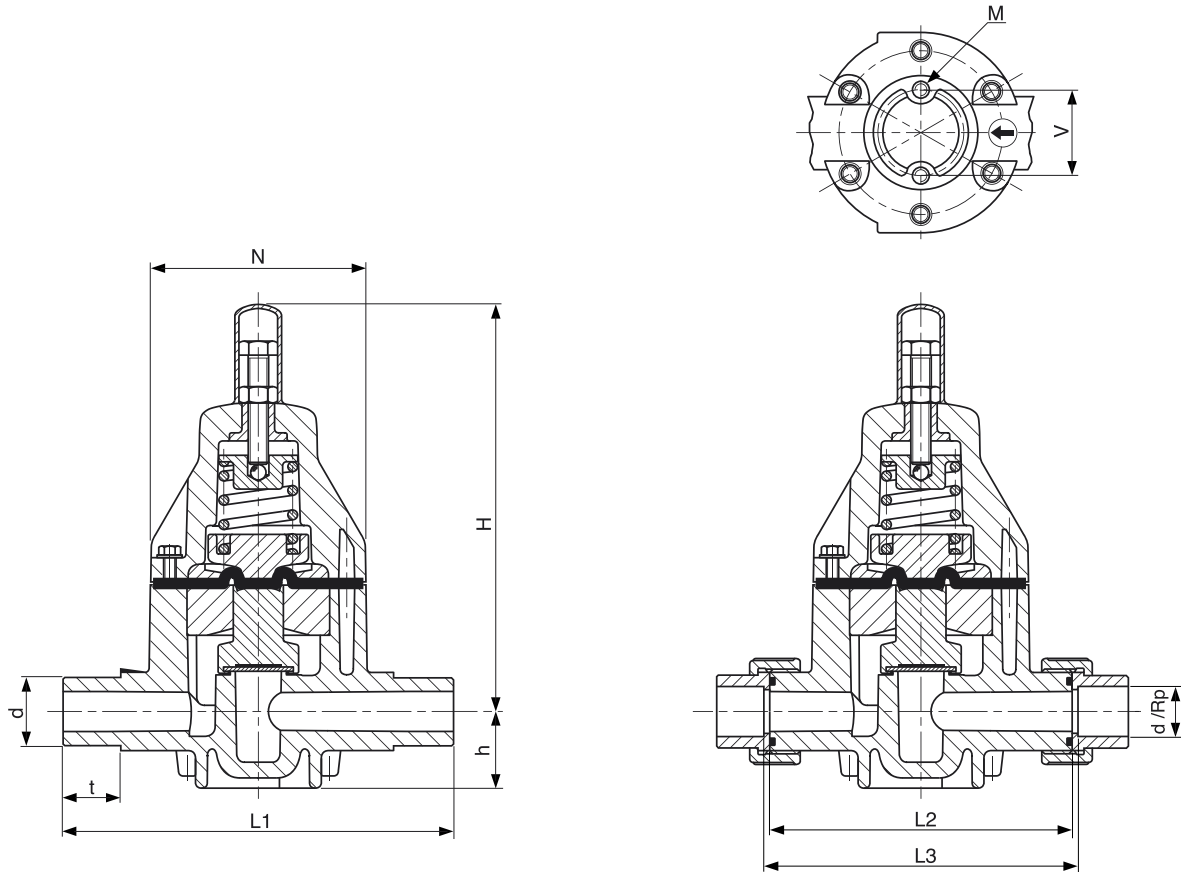
PLAS

911-05/3

20-11-2019

D-911.05-EN-AC

DIMENSIONS



NB	d	Rp	V	M	N	H	h	t	PVC-U			PP			PVDF			Mass [kg]		
									L1	L2	L3	L1	L2	L3	L1	L2	L3	PVC-U	PP	PVDF
10	16	3/8"	40	6	81	174	25	14	144	120	126	144	120	128	144	120	127	0.80	0.67	1.02
15	20	1/2"	40	6	81	174	25	16	144	120	126	144	120	126	144	120	125	0.85	0.72	1.07
20	25	3/4"	46	6	107	202	38	19	174	150	156	174	150	156	174	150	156	1.86	1.57	2.11
25	32	1"	46	6	107	202	38	22	174	150	156	174	150	156	174	150	156	1.90	1.61	2.15
32	40	1 1/4"	65	8	147	262	56	26	224	205	211	224	205	211	244	200	206	5.00	4.10	5.45
40	50	1 1/2"	65	8	147	262	56	31	224	205	211	224	205	211	244	201	207	5.10	4.18	5.55
50	63	2"	65	8	147	262	56	38	224	205	211	224	205	211	224	200	206	5.20	4.28	5.65

BAMO INTERNATIONAL

22, Rue de la Voie des Bans · Z.I. de la gare · 95100 ARGENTEUIL

Tel +33 (0)1 30 25 83 20 Web www.bamo.eu

Fax +33 (0)1 34 10 16 05 E-mail export@bamo.fr

Pressure relief valve
DHV 712-R

20-11-2019

D-911.05-EN-AC

PLAS

911-05/4