

Pneumatically actuated 2-way ball valves, single / double acting VP2V S4-PVC



- PVC Valves from ND 10 up to ND 100
- Pneumatic actuator
Single or double acting
- Position pointer
- **OPTIONS:**
Limit switches box
Pilot valve

DESCRIPTION

Pneumatically actuated 2-way ball valves are useful to allow or to stop the flow of liquids in piping systems. These valves are suitable for applications even with aggressive liquids.

TECHNICAL FEATURES

2-way ball valves:

Body	PVC
Seals	EPDM or FPM
Ball	PVC
Ball seat	PTFE
Fittings	Unions , socked ends for solvent welding
Pressure limits	ND 10 to ND 50: 10 bar ND 65 to ND 100: 6 bar

Pneumatic actuator:

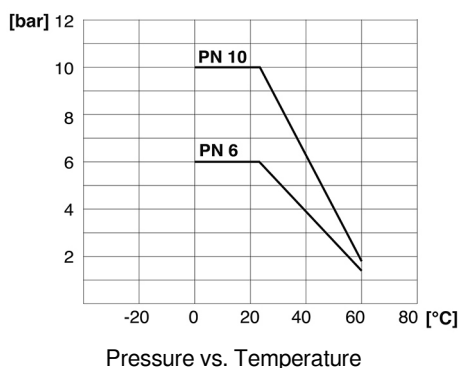
Models	Single acting (or N.O. or N.C.) version, or, double acting version
Operating pressure	6 bar min., 8 bar max.
Fittings	BSP 1/4" female
In conformity with directive NAMUR VDI / VDE 3845 and ISO 5211	

Accessories:

(See data-sheet da913-10)

- Limit switches box
- 3/2-way pilot valve (For single acting versions)
- 5/2-way pilot valve (For double acting version)

EC Conformity: The instrument meets the legal requirements of the current European Directives



BAMO INTERNATIONAL

22, Rue de la Voie des Bans · Z.I. de la gare · 95100 ARGENTEUIL
Tel +33 (0)1 30 25 83 20 Web www.bamo.eu
Fax +33 (0)1 34 10 16 05 E-mail export@bamo.fr

Pneumatically actuated 2-way ball
valves, single / double acting
VP2V S4-PVC

05-11-2019

D-913.01-EN-AB

PLAS

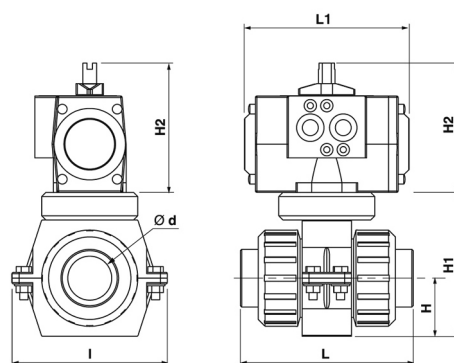
913-01 /1

CODE NUMBERS AND REFERENCES

ND	d	Single acting N.C		Single acting N.O.		Double acting	
		EPDM seals	FPM seals	EPDM seals	FPM seals	EPDM seals	FPM seals
10	16	913 001	913 011	913 021	913 031	913 041	913 051
15	20	913 002	913 012	913 022	913 032	913 042	913 052
20	25	913 003	913 013	913 023	913 033	913 043	913 053
25	32	913 004	913 014	913 024	913 034	913 044	913 054
32	40	913 005	913 015	913 025	913 035	913 045	913 055
40	50	913 006	913 016	913 026	913 036	913 046	913 056
50	63	913 007	913 017	913 027	913 037	913 047	913 057
65	75	913 008	913 018	913 028	913 038	913 048	913 058
80	90	913 009	913 019	913 029	913 039	913 049	913 059
100	110	913 010	913 020	913 030	913 040	913 050	913 060

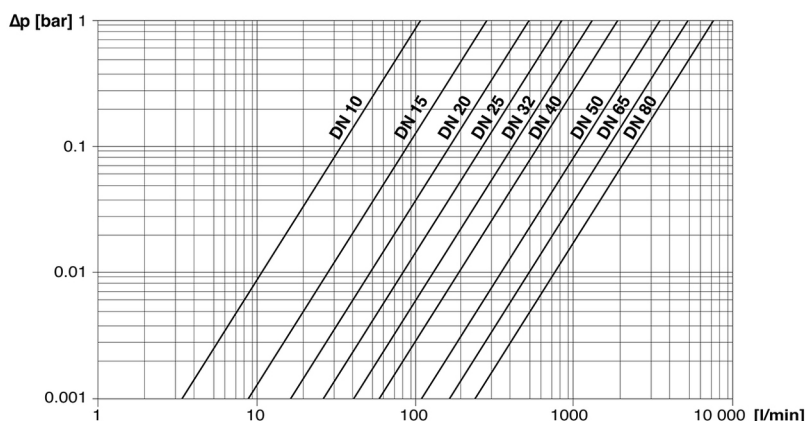
DIMENSIONS [mm]

ND	d	Single acting						Double acting						
		H	H1	H2	L	L1	I	H	H1	H2	L	L1	I	
10	16													
15	20	33	86	91	100	119	113	33	86	91	100	119	113	
20	25	40	100					40	100					
25	32	43	106	112	126	160	144	43	106	112	126	160	144	
32	40	51	130					51	130					
40	50	56	155	132.5	167	175	204	56	155	132.5	167	175	204	
50	63	64	168					64	168					
65	75	85	230	112	238	239	204	85	230	112	238	239	204	
80	90	100	260					100	260					
100	110	100	260	112	304	239	204	100	260	132	304	175	204	

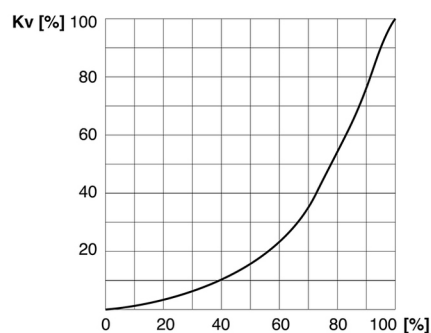


PHYSICAL FEATURES

Pressure drop vs. flow (Water at 20 °C)



Kv vs. Opening angle (in %)



BAMO INTERNATIONAL

22, Rue de la Voie des Bans · Z.I. de la gare · 95100 ARGENTEUIL
 Tel +33 (0)1 30 25 83 20 Web www.bamo.eu
 Fax +33 (0)1 34 10 16 05 E-mail export@bamo.fr

Pneumatically actuated 2-way ball valves, single / double acting

VP2V S4-PVC

05-11-2019

D-913.01-EN-AB

PLAS

913-01 /2