

Electrically actuated 2-way PVC ball valves VE2V S4-PVC



- PVC Valves, from ND 10 up to ND 100
- Radial mounting and dismounting
- Electric actuator with position index and manual operating for emergency

DESCRIPTION

Electrically actuated 2-way ball valves are useful to stop the flow of fluids in piping. In open position they do not induce pressure drop. The closing time for 90° angle, is about 10 seconds. These models are designed for aggressive liquids; Assistance with manual operation for maintenance or emergency (with position pointer). Power supply must be switched off before manual operating.

TECHNICAL FEATURES

2-way ball valves:

Body	PVC
Seals	EPDM or FPM
Ball	PVC
Ball seat	PTFE
Process connections	Unions, socket ends for solvent welding
Pressure limit	PN 10 for ND 10 to ND 50 PN 6 for ND 65 to ND 100

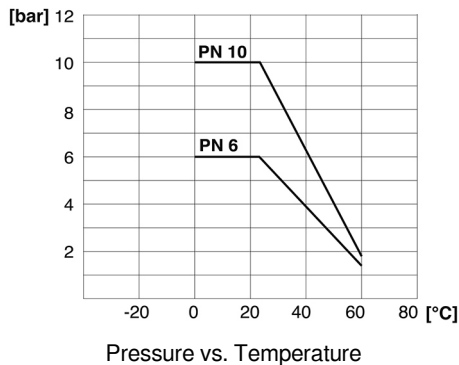
Electric actuators:

Operation	90°
Emergency operation	Manual operating
Duty rating	30 %
Protection	IP 65
Connections	1 cable gland ISO M20 DIN 43650 plug; 3-wire + earth
Power	ND 10 ... 50: 15 W; ND 65 ... 100: 45 W
Power supplies	90 ... 240 V AC 50/60 Hz and 100 ... 350 V DC or 24 V AC 50/60 Hz and 24 V DC

Options:

- Back to 0° in case of power failure
- Electronic positioning system 4-20 mA, 0-20 mA or 0-10 V

EC Conformity : The instrument meets the legal requirements of the current European Directives



BAMO INTERNATIONAL

22, Rue de la Voie des Bans · Z.I. de la gare · 95100 ARGENTEUIL
Tel +33 (0)1 30 25 83 20 Web www.bamo.eu
Fax +33 (0)1 34 10 16 05 E-mail export@bamo.fr

Electrically actuated 2-way
PVC ball valves
VE2V S4-PVC

14-11-2019

D-914.01-EN-AE

PLAS

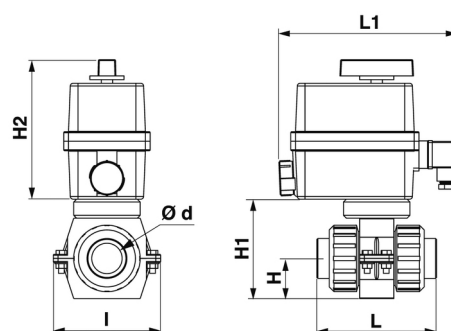
914-01 /1

CODE NUMBERS AND REFERENCES

ND	d	24 V AC / 24 V DC		100...240 V AC / 100...350 V DC	
		EPDM seals	FPM seals	EPDM seals	FPM seals
10	16	914 001	914 011	914 021	914 031
15	20	914 002	914 012	914 022	914 032
20	25	914 003	914 013	914 023	914 033
25	32	914 004	914 014	914 024	914 034
32	40	914 005	914 015	914 025	914 035
40	50	914 006	914 016	914 026	914 036
50	63	914 007	914 017	914 027	914 037
65	75	914 008	914 018	914 028	914 038
80	90	914 009	914 019	914 029	914 039
100	110	914 010	914 020	914 030	914 040

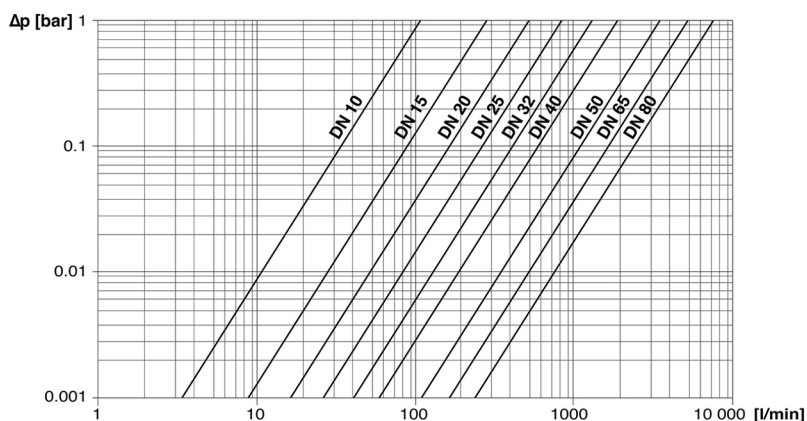
DIMENSIONS in mm

DN	d	H	H1	H2	L	L1	I	Mass [kg]	
10	16	33	86	148	100	190	113	1.57	R20
15	20		100		115			1.6	
20	25	100	126		1.7				
25	32	106	143		144		1.75		
32	40	130	167				2.22		
40	50	155	198		3.04				
50	63	168	238	180	206	204	6.79	R35	
65	75	230	294		9.01		R60		
80	90	260	304						
100	110	100	260						

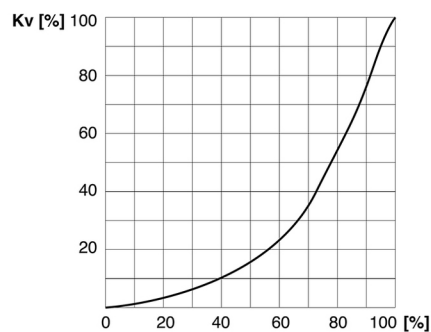


TECHNICAL FEATURES

Pressure loss vs. Flow rate (water at 20 °C)



Kv vs. Opening angle [%]



BAMO INTERNATIONAL

22, Rue de la Voie des Bans · Z.I. de la gare · 95100 ARGENTEUIL
 Tel +33 (0)1 30 25 83 20 Web www.bamo.eu
 Fax +33 (0)1 34 10 16 05 E-mail export@bamo.fr

Electrically actuated 2-way
 PVC ball valves
VE2V S4-PVC

14-11-2019

D-914.01-EN-AE

PLAS

914-01/2