

# Electrically actuated 2-way PVC ball valves VE2V S4-PVDF



- PVDF Valves, from ND 10 up to ND 100
- Radial mounting and dismounting
- Electric actuator with position index and manual operating for emergency

## DESCRIPTION

Electrically actuated 2-way ball valves are useful to stop the flow of fluids in piping. Open, they do not cause pressure drops in piping. The closing time for 90° angle, is about 10 seconds. These models are designed for aggressive liquids and allow a manual operation for maintenance or emergency (with position pointer). Power supply must be switched off before manual operating.

## TECHNICAL FEATURES

### 2-way ball valves:

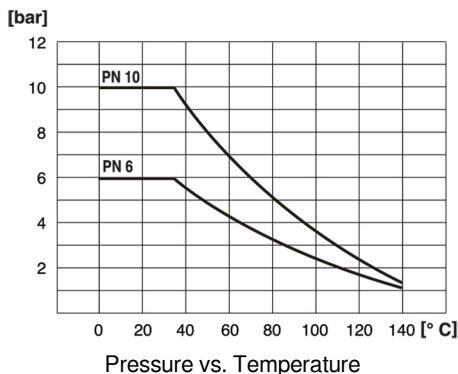
Body	PVDF
Seals	FPM
Ball	PVDF
Ball seat	PTFE
Fittings	Unions, socket ends for solvent welding
Pressure limits	PN 10 for ND 10 to ND 50 PN 6 for ND 65 5 bar for ND80 to ND100

### Electric actuators:

Operating	90°
Emergency operation	Manual operating
Duty rating	30 %
Connections	1 cable gland ISO M20 DIN 43650 plug; 3-wire + earth
Power	ND 10 ... 50: 15 W; ND 65 ... 100: 45 W
Power supplies	90 ... 240 V AC 50/60 Hz and 100 ... 350 V DC or 24 V AC 50/60 Hz and 24 V DC

OPTIONS	Back to 0° in case of power failure Electronic positioning system 4-20 mA, 0-20 mA or 0-10 V
---------	---

**EC Conformity : The instrument meets the legal requirements of the current European Directives**



**BAMO** INTERNATIONAL

22, Rue de la Voie des Bans · Z.I. de la gare · 95100 ARGENTEUIL  
Tel +33 (0)1 30 25 83 20 Web [www.bamo.eu](http://www.bamo.eu)  
Fax +33 (0)1 34 10 16 05 E-mail [export@bamo.fr](mailto:export@bamo.fr)

Electrically actuated 2-way  
PVC ball valves  
**VE2V S4-PVDF**

15-11-2019

D-914.07-EN-AA

PLAS

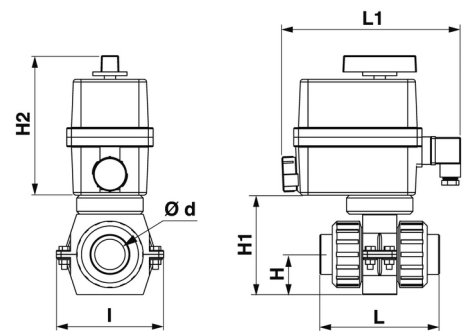
914-07/1

## CODE NUMBERS AND REFERENCES

ND	d	24 V AC / 24 V DC	100 ... 240 V AC and 100 ... 350 V DC
10	16	914 601	914 611
15	20	914 602	914 612
20	25	914 603	914 613
25	32	914 604	914 614
32	40	914 605	914 615
40	50	914 606	914 616
50	63	914 607	914 617
65	75	914 608	914 618
80	90	914 609	914 619
100	110	914 610	914 620

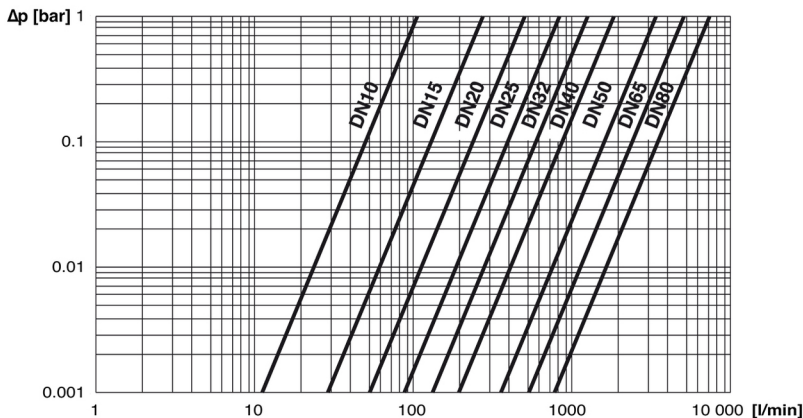
## DIMENSIONS [mm]

ND	d	H	H1	H2	L	L1	I	Poids [Kg]	
10	16	33	86	148	99	190	113		R20
15	20				113				
20	25	122							
25	32	139							
32	40	164							
40	50	176							
50	63	85	230	180	216	206	204	R35	
65	75	100	260		260			R60	
80	90	271							
100	110								

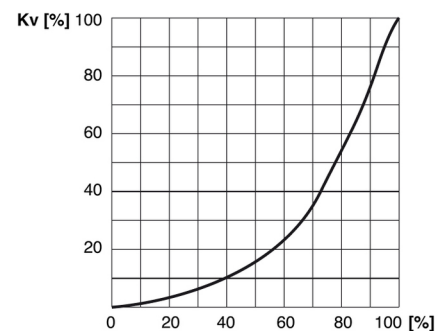


## PHYSICAL FEATURES

Pressure drop vs. Flow rate ( water at 20°C )



Kv vs. Opening angle [ % ]



**BAMO** INTERNATIONAL

22, Rue de la Voie des Bans · Z.I. de la gare · 95100 ARGENTEUIL  
 Tel +33 (0)1 30 25 83 20 Web www.bamo.eu  
 Fax +33 (0)1 34 10 16 05 E-mail export@bamo.fr

Electrically actuated 2-way  
 PVC ball valves  
**VE2V S4-PVDF**

15-11-2019

D-914.07-EN-AA

**PLAS**

**914-07/2**