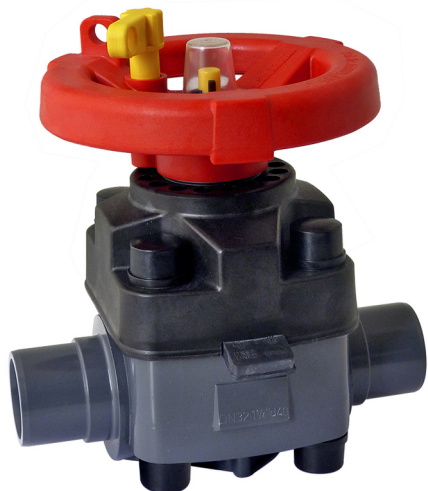


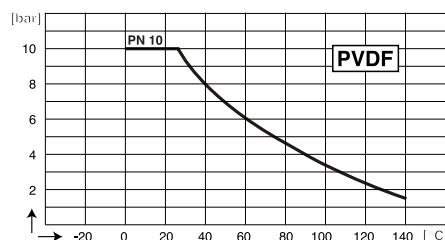
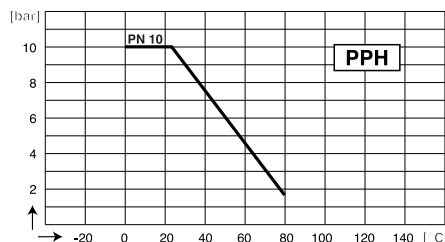
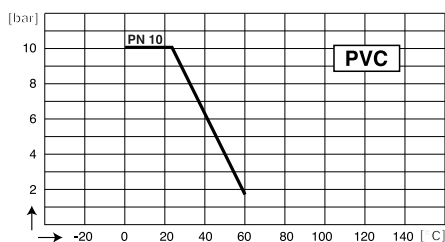
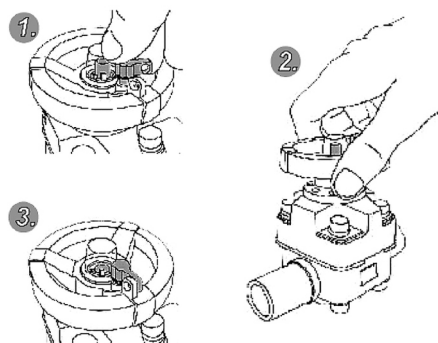
Manual diaphragm valve VMM T4

- Secure and padlockable handwheel
- Radial mounting and dismounting
- Position pointer



DESCRIPTION

Diaphragm valves T4, manual type, can be used in the most demanding applications. The different materials available allow the use with many chemicals, corrosives, in pipings for aggressive and/ or polluted liquids. The replacement of the diaphragm and wet seals is done without special tools. These valves are equipped with a secure and padlockable handwheel.



Pressure vs. Temperature

TECHNICAL FEATURES

Body	PVC PPH PVDF (only with FPM seals)
Seals	EPDM or FPM
Diaphragm	EPDM or EPDM PTFE coated
Seat	PTFE
Fittings	Female unions (socket ends)

EC Conformity: The instrument meets the legal requirements of the current European Directives.

CODE NUMBERS AND REFERENCES

ND	Body Material / Seals Material				
	PVC / EPDM	PVC / FPM	PPH / EPDM	PPH / FPM	PVDF / FPM
15	AD 122 212	AD 122 832	BD 125 038	BD 125 050	CD 125 074
20	AD 122 213	AD 122 834	BD 125 039	BD 125 051	CD 125 075
25	AD 122 214	AD 122 835	BD 125 040	BD 125 052	CD 125 076
32	AD 122 215	AD 122 836	BD 125 041	BD 125 053	CD 125 077
40	AD 122 216	AD 122 837	BD 125 042	BD 125 054	CD 125 078
50	AD 122 217	AD 122 838	BD 125 043	BD 125 055	CD 125 079
	(1) ↑	(2) ↑	(1) ↑	(2) ↑	(2) ↑

(1) : Diaphragm, EPDM
(2) : Diaphragm, EPDM coated with PTFE

BAMO INTERNATIONAL

22, Rue de la Voie des Bans · Z.I. de la gare · 95100 ARGENTEUIL
Tel +33 (0)1 30 25 83 20 Web www.bamo.eu
Fax +33 (0)1 34 10 16 05 E-mail export@bamo.fr

Manual diaphragm valve VMM T4

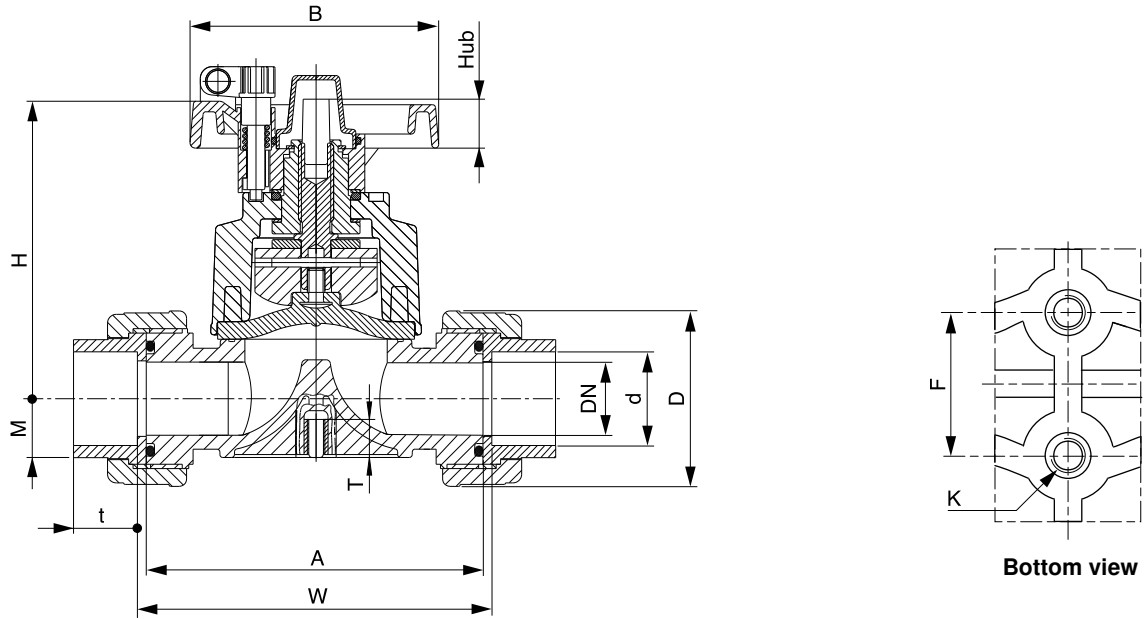
22-10-2020

D-940.02-EN-AA

PLAS

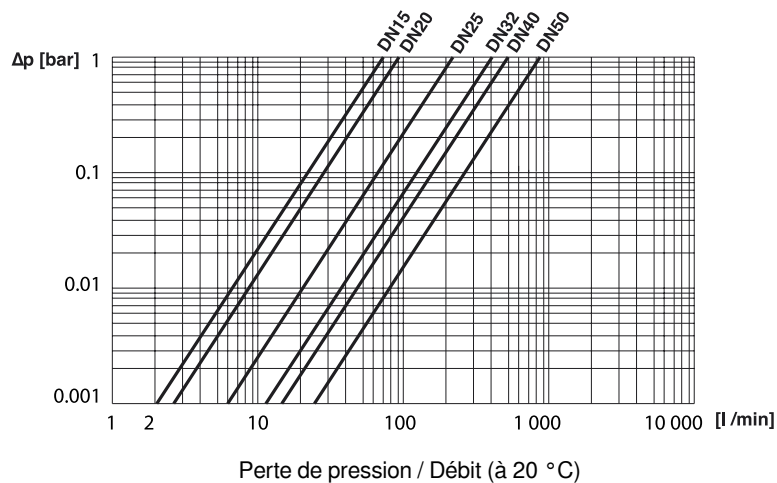
940-02/1

DIMENSIONS [mm]



ND	d	A	W	t (PVC)	t	T	Hub	D	H	B	M (PVC)	M	F (PVC)	F	K
15	20	90.0	96.0	16.0	28.5	12.0	9.0	43.0	100.0	86.0	17.0	16.5	25.0	24.5	M6
20	25	108.0	114.0	19.0	36.0		11.0	53.0	107.0						
25	32	116.0	122.0	22.0	38.5		22.0	74.0	144.0						
32	40	136.0	142.0	26.0	38.5	15.0	22.0	74.0	144.0	136.0	33.0	31.5	45.0	43.5	M8
40	50	154.0	160.0	31.0	46.0		28.0	83.0			170.0				
50	63	184.0	190.0	38.0	46.0		28.0	103.0			170.0	40.3			

CHARACTERISTICS



BAMO

INTERNATIONAL

22, Rue de la Voie des Bans · Z.I. de la gare · 95100 ARGENTEUIL

Tel +33 (0)1 30 25 83 20 Web www.bamo.eu

Fax +33 (0)1 34 10 16 05 E-mail export@bamo.fr

Manual diaphragm valve VMM T4

PLAS

940-02/2

22-10-2020

D-940.02-EN-AA