

Manual butterfly valves, chemistry series VMP K4



- Secure and padlockable handle
- 10 adjustment positions
- Wafer mounting, between flanges: DIN, ANSI, JIS

DESCRIPTION

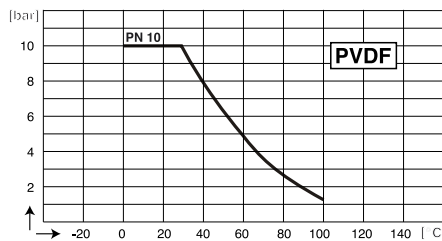
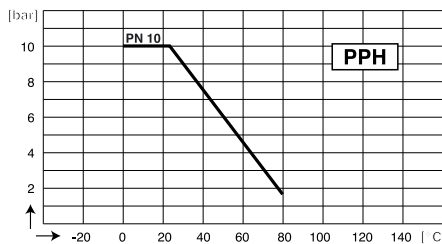
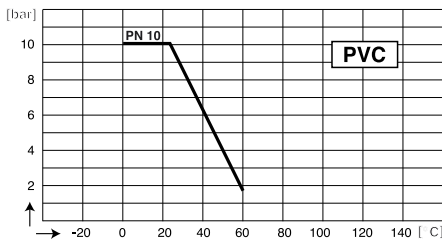
These manual valves are designed for a wafer mounting between flanges of various standards. The "secure handle" version has a metal adapter located between the end of the valve shaft and the handle, preventing premature wear. The "Wheel" version allows easy handling of the valve. Wet parts concern the disc, sleeve and sealing. The different materials available make this product suitable for the most demanding applications.

TECHNICAL FEATURES

Body	PP-GF
Sleeve	EPDM or FPM
Disc	PVC, PPH, PVDF
Mounting	Wafer, between flanges DIN 2501, ANSI B 16.5, JIS 10 K, BS Table D&E
Operating pressure	10 bar

EC Conformity: The instrument meets the legal requirements of the current European Directives

CODE NUMBERS AND REFERENCES



Pressure vs. Temperature

ND	Handle version / PVC disc		Wheel version / PVC disc	
	EPDM sealing	FPM sealing	EPDM sealing	FPM sealing
65	AD 125 860	AD 125 865	AD 126 010	AD 126 015
80	AD 125 861	AD 125 866	AD 126 011	AD 126 016
100	AD 125 862	AD 125 867	AD 126 012	AD 126 017
125	AD 128 456	AD 128 457	AD 128 761	AD 128 763
150	AD 125 863	AD 125 868	AD 126 013	AD 126 018
200	AD 125 864	AD 125 869	AD 126 014	AD 126 019

ND	Handle version / PPH disc		Wheel version / PPH disc	
	EPDM sealing	FPM sealing	EPDM sealing	FPM sealing
65	BD 125 870	BD 125 875	BD 126 020	BD 126 025
80	BD 125 871	BD 125 876	BD 126 021	BD 126 026
100	BD 125 872	BD 125 877	BD 126 022	BD 126 027
125	BD 128 458	BD 128 459	-	-
150	BD 125 873	BD 125 878	BD 126 023	BD 126 028
200	BD 125 874	BD 125 879	BD 126 024	BD 126 029

ND	Handle version / PVDF disc	Wheel version / PVDF disc
	FPM sealing	FPM sealing
65	CD 125 880	CD 126 030
80	CD 125 881	CD 126 031
100	CD 125 882	CD 126 032
125	CD 128 460	CD 128 765
150	CD 125 883	CD 126 033
200	CD 125 884	CD 126 034

BAMO INTERNATIONAL

22, Rue de la Voie des Bans · Z.I. de la gare · 95100 ARGENTEUIL
 Tel +33 (0)1 30 25 83 20 Web www.bamo.eu
 Fax +33 (0)1 34 10 16 05 E-mail export@bamo.fr

Manual butterfly valves,
chemistry series
VMP K4

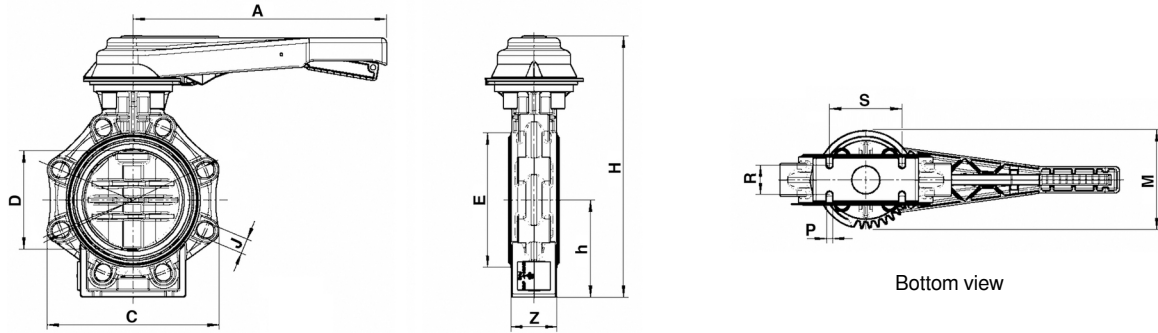
15-02-2021

D-945.04-EN-AB

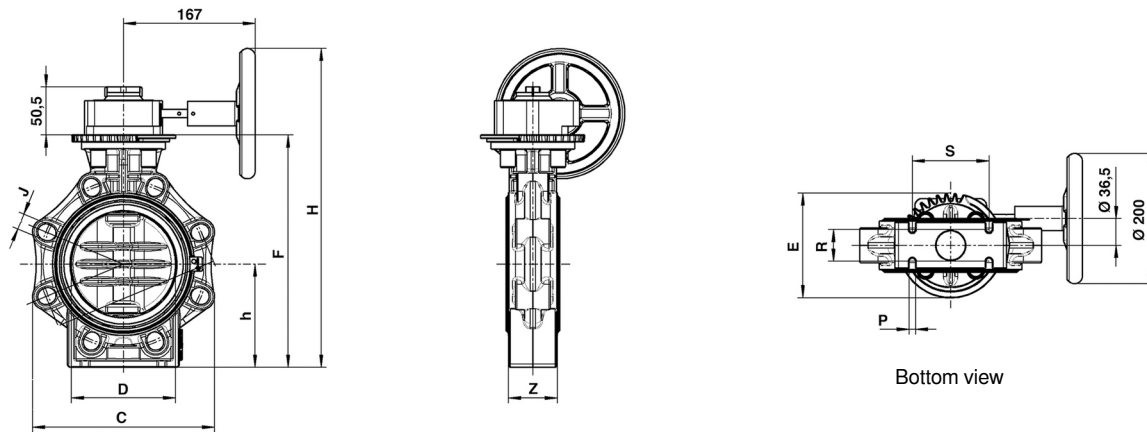
PLAS

945-04/1

DIMENSIONS [mm]



ND	d	A	D	C	H	h	E	J	M	Z	P	R	S	PN
65	75	230	65	133	285	100	98	19	114	46	7	25	55	10
80	90		80	176	292		116			49	30	70		
100	110	300	100	206	322	115	146			56	35	85		
150	160	386	150	261	396	147,5	196	23	150	70	9	45	110	
200	225		200	314	458	175	251			71		40	145	

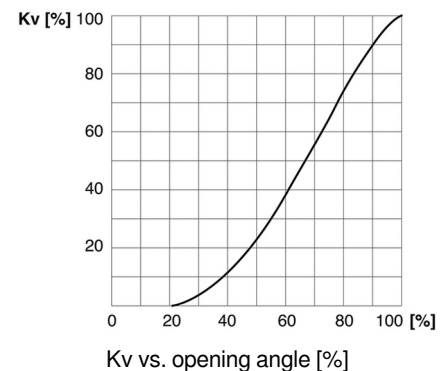


ND	d	D	C	H	h	F	J	Z	P	R	E	PN
65	75	65	133	362.5	100	232	19	46	7	25	114	10
80	90	80	176	369.5		239		49	30			
100	110	100	206	399.5	115	269		56	35			
150	160	150	261	463.5	147.5	333	23	70	9	45	150	
200	225	200	314	525.5	175	395		71		40		

PHYSICAL FEATURES

Flow factor Kv (at 20 ° C):

	Pressure drop 1 bar	Pressure drop 0.001 bar
ND 65	1,900 l/min	60 l/min
ND 80	3,100 l/min	100 l/min
ND 100	6,000 l/min	190 l/min
ND 150	19,000 l/min	600 l/min
ND 200	35,000 l/min	1,100 l/min



BAMO

INTERNATIONAL
 22, Rue de la Voie des Bans · Z.I. de la gare · 95100 ARGENTEUIL
 Tel +33 (0)1 30 25 83 20 Web www.bamo.eu
 Fax +33 (0)1 34 10 16 05 E-mail export@bamo.fr

**Manual butterfly valves,
 chemistry series
 VMP K4**

15-02-2021

D-945.04-EN-AB

PLAS

945-04/2