

Check valves CBT

Fig. 1



Fig. 2



Fig. 3



- Only one possible flow direction
 - Vertical or horizontal mounting
 - From ND 32 up to ND 300
- With or without spring,
Versions: Wafer or with loose flanges

APPLICATIONS

Allows the liquid to flow in only one direction

DESCRIPTION

The CBT can be horizontally or vertically (rising fluid) to allow the liquid to flow in only one direction. The check valve must not directly fitted at the pump outlet. Before and after the valve, procure pipe straight distances of 5 x ND to avoid any disturbance.

TECHNICAL FEATURES

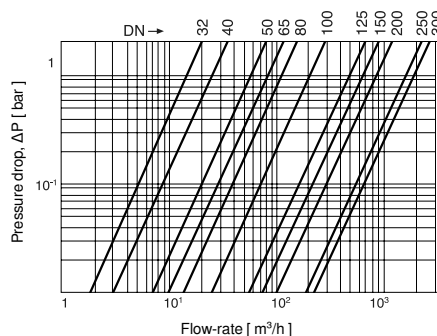
Body	PVC
Disk	PVC
Operating pressure	PN 10 (Max. 10 bar at 20 °C)
Seals	EPDM
	<i>FPM: On request</i>

Versions:

- Wafer, without spring (Fig. 1)
- Wafer, with stainless steel spring (Fig. 2)
- Loose flanges PN 10 (Fig. 3), without spring, zinc-plated steel bolts (*OPTION: With stainless spring on request*)

EC Conformity: The instrument meets the legal requirements of the current European Directives.

Flow vs. Pressure drop (water at 20 °C)



BAMO INTERNATIONAL

22, Rue de la Voie des Bans · Z.I. de la gare · 95100 ARGENTEUIL
 Tel +33 (0)1 30 25 83 20 Web www.bamo.eu
 Fax +33 (0)1 34 10 16 05 E-mail export@bamo.fr

Check valves
CBT

26-11-2019

D-950.03-EN-AA

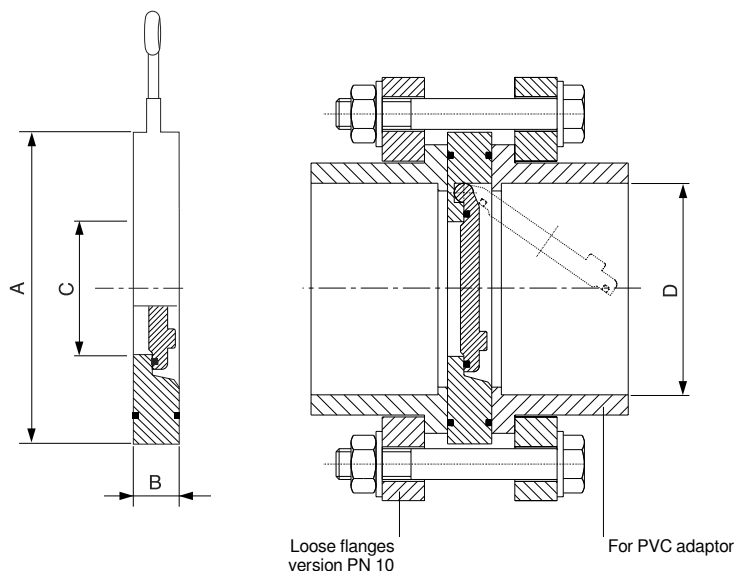
PLAS

950-03/1

CODE NUMBERS AND REFERENCES

	Wafer, without spring		Wafer, with spring		With loose flanges	
	Code	Reference	Code	Reference	Code	Reference
ND 32	950 001	CBT - d 40	950 015	CBT - R - d 40	950 029	CBT - B - d 40
ND 40	950 002	CBT - d 50	950 016	CBT - R - d 50	950 030	CBT - B - d 50
ND 50	950 003	CBT - d 63	950 017	CBT - R - d 63	950 031	CBT - B - d 63
ND 65	950 004	CBT - d 75	950 018	CBT - R - d 75	950 032	CBT - B - d 75
ND 80	950 005	CBT - d 90	950 019	CBT - R - d 90	950 033	CBT - B - d 90
ND 100	950 006	CBT - d 110	950 020	CBT - R - d 110	950 034	CBT - B - d 110
ND 110	950 007	CBT - d 125	950 021	CBT - R - d 125	950 035	CBT - B - d 125
ND 125	950 008	CBT - d 140	950 022	CBT - R - d 140	950 036	CBT - B - d 140
ND 150	950 009	CBT - d 160	950 023	CBT - R - d 160	950 037	CBT - B - d 160
ND 200	950 010	CBT - d 200	950 024	CBT - R - d 200	950 038	CBT - B - d 200
ND 200	950 011	CBT - d 225	950 025	CBT - R - d 225	950 039	CBT - B - d 225
ND 225	950 012	CBT - d 250	950 026	CBT - R - d 250	950 040	CBT - B - d 250
ND 250	950 013	CBT - d 280	950 027	CBT - R - d 280	950 041	CBT - B - d 280
ND 300	950 014	CBT - d 315	950 028	CBT - R - d 315	950 042	CBT - B - d 315

DIMENSIONS - OPENING PRESSURE



	A [mm]	B [mm]	C [mm]	D [mm]	mbar ↑	mbar →	* mbar →
ND 32	85	15	18	40	10	1.0	20
ND 40	95	16	22	50			
ND 50	109	20	32	63	14.3	1.5	
ND 65	130		40	75	12.3	1.2	
ND 80	144		53	90	12		
ND 100	164	22	70	110	11	1.0	
ND 110	170	24	82	125	10		
ND 125	192	22	93	140	9.6		
ND 150	220	26	113	160	12.5		
ND 175	248	27	138	200	15.5	1.2	
ND 200	276	35	152	225	18.8		
ND 225	337	40	170	250	14.3	1.0	
ND 250	330	40	189	280	17.3		
ND 300	380	45	226	315	21	1.2	

BAMO INTERNATIONAL

22, Rue de la Voie des Bans · Z.I. de la gare · 95100 ARGENTEUIL

Tel +33 (0)1 30 25 83 20 Web www.bamo.eu

Fax +33 (0)1 34 10 16 05 E-mail export@bamo.fr

Check valves
CBT

PLAS

950-03/2

26-11-2019

D-950.03-EN-AA