

Stainless steel immersion probe, for pH/ ORP

9339



SAFETY INSTRUCTIONS

- Assembly, commissioning and maintenance must be carried out by qualified technicians.
- Use adequate personal protection during disassembly or maintenance.
- This device only works under the conditions specified in this manual.

DESCRIPTION

The probe 9339 holds one electrode, and protect it, such as our pH / ORP electrodes; For measurements in immersion.
The electrode protection is easy to unscrew for calibration routines.
Calibration: With our buffers (see data sheet 160-01).

TECHNICAL FEATURES

Immersion depth 1 m (On request: from 0.2 up to 3 m)
Material AISI 316 L
Cable output 1 Cable gland M10 (axial mounting on tri-clamp fitting)
or 1 cable gland PG 16 for 2 cables, on aluminum head housing

EC Conformity: The instrument meets the legal requirements of the current European Directives.

COMMISSIONING

Mounting and connection of the electrode must be carried out before immersion of the probe.
Never immerse the probe without an electrode. The liquid must not get inside the probe.

BAMO INTERNATIONAL

22, Rue de la Voie des Bans · Z.I. de la gare · 95100 ARGENTEUIL

Tel +33 (0)1 30 25 83 20 Web www.bamo.eu

Fax +33 (0)1 34 10 16 05 E-mail export@bamo.fr

Stainless steel immersion
probe, for pH/ ORP
9339

22-07-2021

M-131.01-EN-AB

pH

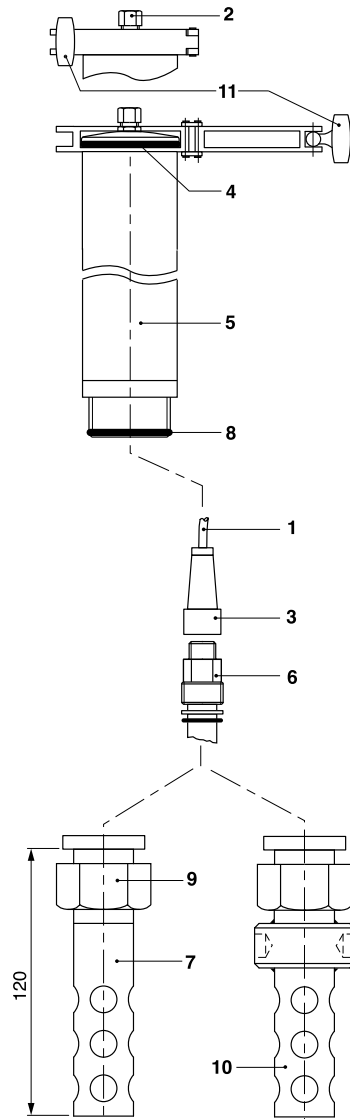
131-01 /1

Warning :

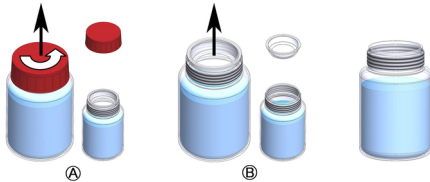
If there is humidity inside the probe, dry well all parts before reassembling the electrode and its connector.

MOUNTING THE ELECTRODE

- Insert the pH 9060 measuring cable (1) through the cable gland (2)
- (Pass the cable on a distance equal to the length of probe + 20 cm)
- **Weld on the connector 9054 (3) to the cable, according to the manual (msa160-01)**
- Check the presence of the o-ring seal (4).
- Place the tri-clamp end cap on the seal (4) of the upper part of the extension tube (5).
- Make sure the connector protrudes from the bottom of the extension tube.
- Mount the electrode (6) on the electrode holder (7).
- Place carefully the seal (8).
- Screw the connector onto the electrode head.
- Gently pull the measurement cable to bring the electrode holder as close as possible to the extension tube.
- The cable must not be stretched inside the extension tube.
- Place the holder facing the seal (8) and screw the nut (9) while holding the probe.
- Make sure the tri-clamp end is correctly positioned on the seal (4) and close the tri-clamp fitting (11).
- Tighten the cable gland (2) to ensure sealing tightness.

**CALIBRATION**

Connect the cable to the pH-meter, then open the buffer flasks



A: Unscrew the cap

B: Remove the cap gasket

Remove the electrode protection end from the electrode holder and insert the electrode into the buffer solution; Then perform the calibration.

BAMO INTERNATIONAL

22, Rue de la Voie des Bans · Z.I. de la gare · 95100 ARGENTEUIL

Tel +33 (0)1 30 25 83 20 Web www.bamo.eu

Fax +33 (0)1 34 10 16 05 E-mail export@bamo.fr

Stainless steel immersion
probe, for pH/ ORP
9339

22-07-2021

M-131.01-EN-AB

pH

131-01 /2