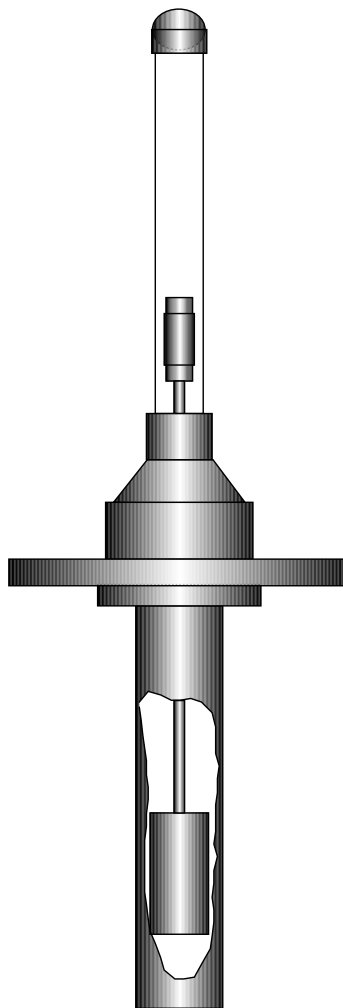


# FS4

## TOP MOUNTING LEVEL INDICATOR



### START-UP NOTICE

**BAMO MESURES**

22, Rue de la Voie des Bans - 95 100 ARGENTEUIL - FRANCE  
Tél : (+33) 01 30 25 83 20 - E-mail : [info@bamo.fr](mailto:info@bamo.fr)  
Fax : (+33) 01 34 10 16 05 - Site : <http://www.bamo.fr>

22-12-2004

TOP MOUNTING  
LEVEL INDICATOR  
**FS4 SERIE**

584 M1 01 C

**MES**

**584**

## 1 - CAUTION

Level indicator installation and using must be done outside from any magnetic field zone.  
Use non magnetic connection (Brass, Stainless Steel or plastic).  
Any iron device must be installed at 10 cm minimum distance fare.  
Ensure chemical compliance between liquid and level indicator.  
Pressure in tank and indicator must be 4 bar maximum pressure value

## 2 - PRINCIPLE

This indicator allows a direct level reading on any liquid respecting its chemical resistances even when fluid is opaque.  
Assembly is done by top of tank. Float and index with magnet are interdependent by a stem.  
When indicator is on the tank, if liquid level increases, the float upwards follows the level progression.  
Index with magnet can actuate BSM 500/32 contacts type.  
Equipped with graduated rule (in option) reading accuracy will be higher.

## 3 - INSTALLATION

The indicator is higher than the top of tank, one needs the corresponding place for its assembly.

- Insert the float in the tube, index and magnet upwards.
- To fix indicator on the top of tank with DN 65 flange by means of four screws and nuts.
- Ensure connection sealling

*For contacts and others options, please consult dedicated instruction manual.*

*This level indicator is operationnal since its installation. Float is going up in the same time as tank is filling up.  
To avoid pressure in the tube, which will stop the float, there is two hole bellow the flange to ensure air blowing.  
Level has to be read on the index.*

## 4 - MAINTENANCE

FS4 is basic and robust apparatus, it requires not much of care.  
Simply from time to time for a better use, we advise to clean the float and back face of tube.

## 5 - TECHNICAL CHARACTERISTICS

Maximum height.	: 3 000 mm (density 1) maximum height is according to fluid density.
Maximum pressure.	: 4 bar / 20° C.
Maximum T° C	: 60° C - PVC / 80° C - PPh
Material	: Lower tube / PVC or PPh Higher tube / Translucent PVC (livré non collé) Stem / PPh. Indicator / PPh with magnet and ring / red PVC
Fixing	: Thrust collar and rotative flange / PVC or PPH

- 1 : Float
- 2 : Lower tube
- 3 : Stem
- 4 : Rotative flange / DN65
- 5 : Visualization index with magnet
- 6 : Higher tube

