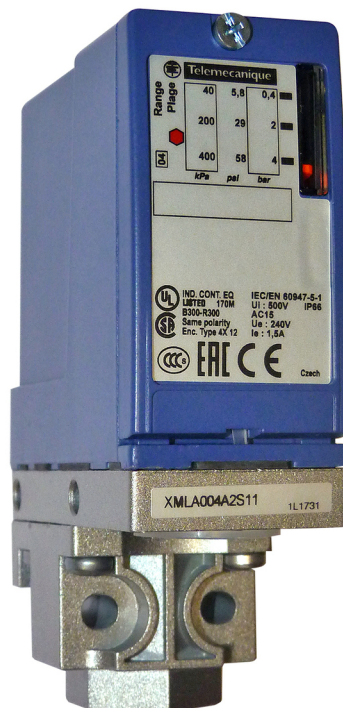


Pressure switches XMLA



Pressure switches: XMLA:
004A/ 010A/ 020A/ 035A

USER MANUAL

BAMO INTERNATIONAL

22, Rue de la Voie des Bans · Z.I. de la gare · 95100 ARGENTEUIL

Tel +33 (0)1 30 25 83 20 Web www.bamo.eu

Fax +33 (0)1 34 10 16 05 E-mail export@bamo.fr

Pressure switches
XMLA

02-02-2022

M-892.03-EN-AA

PR

892-03/1

CAUTION

- Installation, commissioning and maintenance must be carried out by qualified technicians.
- The operation of the device must be in accordance with and strictly limited to the applications, as mentioned.

SAFETY INSTRUCTION

- **RISK OF ELECTROCUTION and ELECTRIC ARC**
- **Before any intervention on this device, ensure that it is disconnected from supply**
Failure to follow this safety instruction will result in death by electrocution or serious injury.

APPLICATIONS

- Local pressure monitoring without reading, with alarm contacts
- Control of fluids: Air, Softened water, Hydraulic oil

DESCRIPTION

XML-A, pressure switch, allows the triggering of a high alarm or a low alarm. The trigger point is adjusted using a screwdriver or a hexagonal key, with the help of a pointer in a window

TECHNICAL FEATURES

Pressure switch type	Electromechanical pressure detector
Fluids compatibility	Air - Softened water - Hydraulic oil
Fluid temperature	0... +70 °C
Hydraulic connection	BSPF 1/4" (ISO 228)
Electrical connections	Screw terminals, 1 x 0.5 ... 2 x 2.5 mm ²
Connections	ISO n°1 (13-14-11-12) OF
Cable	AWG 20 to AWG 14
Cable entry	For cable gland 9 ... 13 mm
Contacts	Silver Contacts 1 N.O. & 1 N.C. contacts
Switch mode	Single threshold detection
Outputs	Remote control
Hysteresis	Fixed hysteresis
Display	Local indicator
Pressure actuator	Diaphragm
Wet parts materials	FPM, Zinc alloy (XMLA 004A / 010A) Brass, Nitrile, Zinc alloy (XMLA 020A / 035A)
Housing material	Zinc alloy
Sealing	IP 66
Electrical protection	Class 1
Short circuit protection	10 A fuse cartridge
Overriding resistance [Uimp]	Rated voltage: 6 kV
Auxiliary contacts	Snap action maneuver
Resistance to vibrations	4 gn (f = 30 ... 500 Hz)
Resistance to mechanical shock	50 gn
Lifetime	5,000,000 cycles
Mounting positions	All positions
Operating temperature	-25 ... +70 °C
Storage temperature	-40 ... +70 °C
Mass	685 g (XMLA 004A / 020A) 695 g (XMLA 020A / 035A)
Agreements	BV CCC CSA LROS (Lloyds register of shipping) UL EAC

EC Conformity: The instrument meets the legal requirements of the current European Directives.

BAMO INTERNATIONAL

22, Rue de la Voie des Bans · Z.I. de la gare · 95100 ARGENTEUIL

Tel +33 (0)1 30 25 83 20 Web www.bamo.eu

Fax +33 (0)1 34 10 16 05 E-mail export@bamo.fr

Pressure switches
XMLA

PR

892-03/2

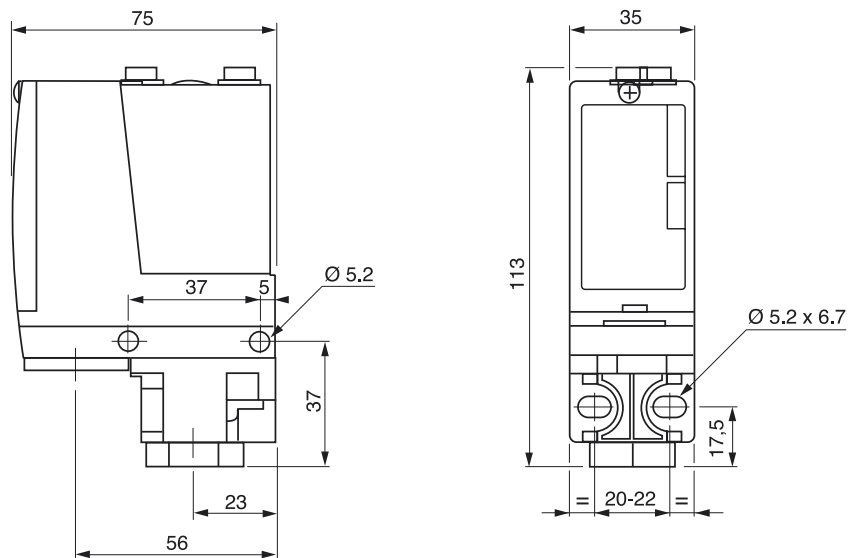
02-02-2022

M-892.03-EN-AA

PRESSURE RANGES

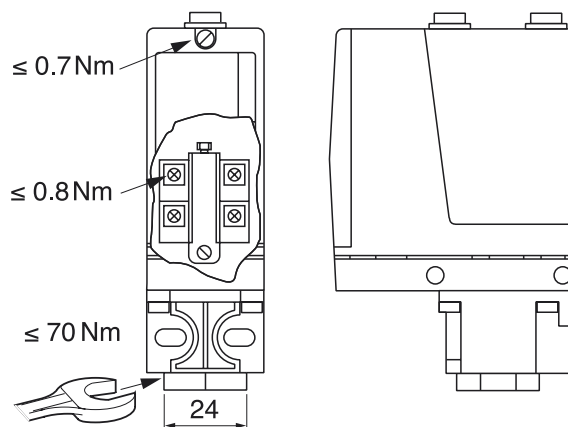
Model	XMLA 004A	XMLA 010A	XMLA 020A	XMLA 035A
Adjustment range (Higher)	0.4 ... 4 bar	0.6 ... 10 bar	1 ... 20 bar	1.5 ... 35 bar
Fixed hysteresis	0.35 bar	0.5 bar	1 bar	1.25 bar
Overpressure allowed per cycle	5 bar	12.5 bar	25 bar	45 bar
Accidental pressure allowed	9 bar	22.5 bar	45 bar	80 bar
Breaking pressure	18 bar	45 bar	90 bar	160 bar

DIMENSIONS



INSTALLATION

Tightening torques



BAMO INTERNATIONAL

22, Rue de la Voie des Bans · Z.I. de la gare · 95100 ARGENTEUIL

Tel +33 (0)1 30 25 83 20 Web www.bamo.eu

Fax +33 (0)1 34 10 16 05 E-mail export@bamo.fr

Pressure switches
XMLA

PR

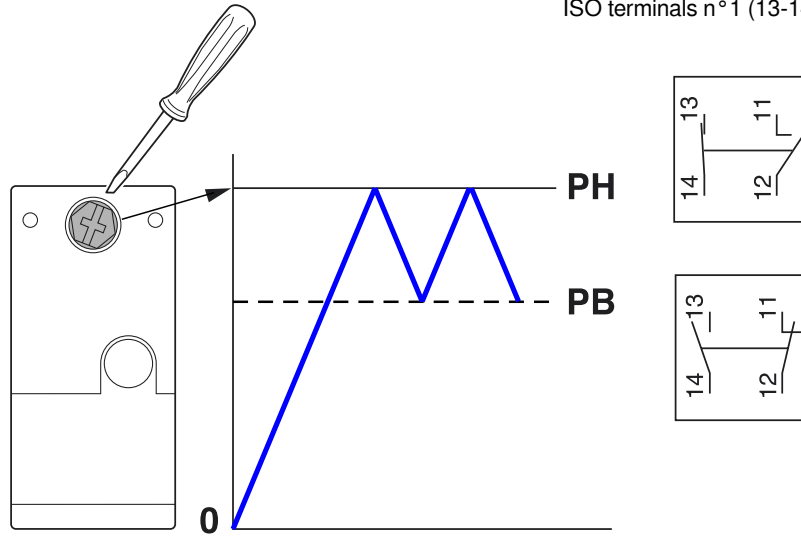
892-03/3

02-02-2022

M-892.03-EN-AA

CONNECTIONS

Screw terminals 1 x 0.5 ... 2 x 2.5 mm²
ISO terminals n° 1 (13-14-11-12) OF



————— : Adjustable high trigger point
- - - - - : Low trigger point; Not adjustable (hysteresis)

