

# 2-way pneumatic valves, single or double acting VP2V - INOX



- Stainless steel valve body
- Fittings from 1/4" up to 2"
- Pneumatic actuator  
Single or double acting
- Position pointer
- OPTIONS:  
Limit switches box  
Pilot solenoid valves

## DESCRIPTION

2-way ball valves controlled by a single-acting pneumatic actuator, NC or NO, or a double-acting one, allow or prohibit the passage of a liquid in piping. These valves are suitable for applications with aggressive liquids.

## TECHNICAL FEATURES

### 2 way valve:

Body	AISI 316
Seal	PTFE/FPM
Ball	AISI 316
Ball seat	PTFE with 15 % glassfiber
Fittings	BSPF
Pressure limits	63 bar → DN 10 to DN 20 40 bar → DN 25 to DN 50
Operating temperature	-20...+80 °C (valve mounted with actuator)

### Pneumatic actuator:

Models	Single acting or N.O. or N.C., or Double acting "UT" version in techno-polymer and "MT" version in metal
Operating pressure	Min. 6 bar; Max. 8 bar
Fittings	1/4" G

Conformity to NAMUR VDI/VDE 3845 and ISO 5211

### Accessories :

(See data-sheet da913.10)

- Limit switches box
- Pilot solenoid valves 3/2-way (For single acting version)
- Pilot solenoid valves 5/2-way (For double acting version)

**EC Conformity:** The instrument meets the legal requirements of the current European Directives.

**BAMO** INTERNATIONAL

22, Rue de la Voie des Bans · Z.I. de la gare · 95100 ARGENTEUIL

Tel +33 (0)1 30 25 83 20 Web [www.bamo.eu](http://www.bamo.eu)

Fax +33 (0)1 34 10 16 05 E-mail [export@bamo.fr](mailto:export@bamo.fr)

2-way pneumatic valves,  
single or double acting  
**VP2V - INOX**

13-04-2026

D-1013.01-EN-AG

**METAL**

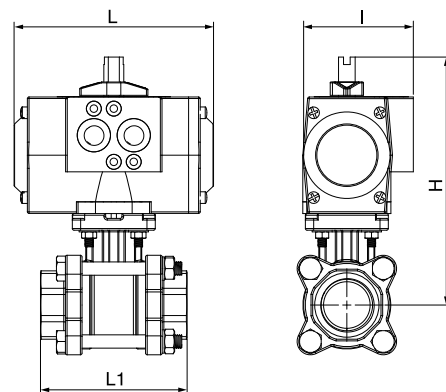
1013-01 /1

## CODE NUMBERS AND REFERENCES

Fittings, BSPF	ND	SINGLE EFFECT			DOUBLE EFFECT	
		Actuator	Normally closed	Normally open	Actuator	Double acting
1/4"	10	UT10S2	M 1013 001	M 1013 021	UT10	M 1013 041
3/8"	12		M 1013 002	M 1013 022		M 1013 042
1/2"	15		M 1013 003	M 1013 023		M 1013 043
3/4"	20		M 1013 004	M 1013 024		M 1013 044
1"	25	UT13S5	M 1013 005	M 1013 025	UT13	M 1013 045
1 1/4"	32		M 1013 006	M 1013 026		M 1013 046
1 1/2"	40	MT25S5	M 1013 007	M 1013 027	MT20	M 1013 047
2"	50		M 1013 008	M 1013 028		M 1013 048

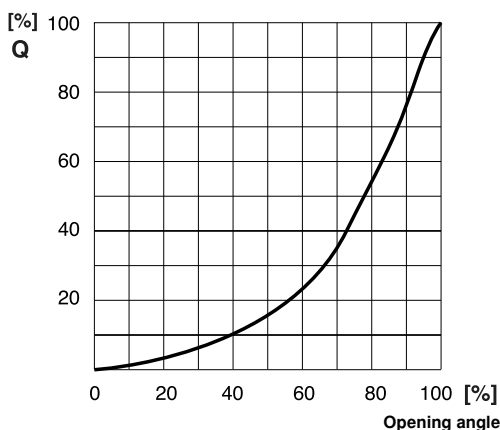
## DIMENSIONS [mm]

BSPF	ND	SINGLE ACTING				DOUBLE ACTING						
		L1	I	L	H	L1	I	L	H			
1/4"	10	64	67	119	133	64	67	119	133			
3/8"	12					66				66	139	
1/2"	15	70.6			82	166			82	86	160	166
3/4"	20	86			160	171			97	96	186	171
1"	25	97	96	248	198	109	96	186	198			
1 1/4"	32	109			213	124.6			213			
1 1/2"	40	124.6										
2"	50											



## PHYSICAL FEATURES

Flow characteristics



**BAMO** INTERNATIONAL

22, Rue de la Voie des Bans · Z.I. de la gare · 95100 ARGENTEUIL

Tel +33 (0)1 30 25 83 20 Web [www.bamo.eu](http://www.bamo.eu)

Fax +33 (0)1 34 10 16 05 E-mail [export@bamo.fr](mailto:export@bamo.fr)

2-way pneumatic valves,  
single or double acting  
**VP2V - INOX**

13-04-2026

D-1013.01-EN-AG

**METAL**

**1013-01 /2**