

# 3-way pneumatic valves, single or double acting VP3V - INOX



- Stainless steel valve body
- Fittings from 1/4" up to 2"
- Pneumatic actuator  
Single or double acting
- Visual position indicator
- **OPTIONS:**  
Limit switches box  
Pilot solenoid valve

## DESCRIPTION

These 3-way ball valves with L-port or T-port, controlled by a single-acting or double-acting pneumatic actuator, provide multiple possibilities for controlling the direction of fluid in piping systems. These valves are suitable for applications with aggressive media. The different operating modes are described in data sheet da913-20.

## TECHNICAL FEATURES

### 3-way ball valve:

Body	AISI 316
Seal	PTFE/FPM
Ball	AISI 316
Ball seat	15% glass-filled PTFE seats
Fittings	Female threaded BSP (G)
Pressure limit	40 bar
Operating temperature	-20 to +80 °C (valve with actuator)

### Pneumatic actuator

Models	Single-acting (normally open or normally closed) or double-acting "UT" version in techno-polymer and "MT" version in metal
Operating pressure	Min. 6 bar; Max. 8 bar
Fittings	1/4" G

Conformity to NAMUR VDI/VDE 3845 and ISO 5211

### Accessories:

- (See data-sheet da913-10)
- Limit switch box
  - Pilot solenoid valve 3/2-way (for single-acting versions)
  - Pilot solenoid valve 5/2-way (for double-acting versions)
  - Brass exhaust silencer

**EC conformity: The valve complies with the requirements of the applicable European Directives.**

**BAMO** INTERNATIONAL

22, Rue de la Voie des Bans · Z.I. de la gare · 95100 ARGENTEUIL

Tel +33 (0)1 30 25 83 20 Web [www.bamo.eu](http://www.bamo.eu)

Fax +33 (0)1 34 10 16 05 E-mail [export@bamo.fr](mailto:export@bamo.fr)

3-way pneumatic valves,  
single or double acting  
**VP3V - INOX**

13-04-2026

D-1013.02-EN-AG

**METAL**

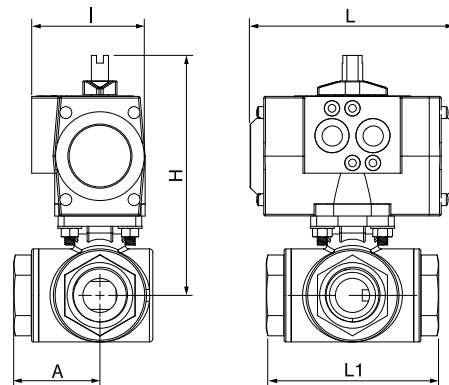
1013-02 /1

## CODE NUMBERS AND REFERENCES

BSPF	ND	SINGLE EFFECT			DOUBLE EFFECT		
		ACTUATOR	L bore	T bore	ACTUATOR	L bore	T bore
1/4"	10	UT13S5	M 1013 101	M 1013 121	UT10	M 1013 141	M 1013 161
3/8"	12		M 1013 102	M 1013 122		M 1013 142	M 1013 162
1/2"	15		M 1013 103	M 1013 123		M 1013 143	M 1013 163
3/4"	20		M 1013 104	M 1013 124	UT13	M 1013 144	M 1013 164
1"	25	MT25S5	M 1013 105	M 1013 125		M 1013 145	M 1013 165
1 1/4"	32	MT30S5	M 1013 106	M 1013 126	MT20	M 1013 146	M 1013 166
1 1/2"	40		M 1013 107	M 1013 127		M 1013 147	M 1013 167
2"	50	MT35S5	M 1013 108	M 1013 128		M 1013 148	M 1013 168

## DIMENSIONS [mm]

BSPF	ND	Single acting					Double acting				
		A	L1	I	L	H	A	L1	I	L	H
1/4"	10	37.5	75	86	160	148	37.5	75	67	119	128
3/8"	12					153	42.5	85			86
1/2"	15	42.5	85			96	248	145	50	100	96
3/4"	20	50	100	114	241	173	61	123	96	186	154
1"	25	61	123			177	65.5	131			158
1 1/4"	32	65.5	131	131	261	225	79	158			169
1 1/2"	40	79	158								
2"	50										



# BAMO INTERNATIONAL

22, Rue de la Voie des Bans · Z.I. de la gare · 95100 ARGENTEUIL  
 Tel +33 (0)1 30 25 83 20 Web [www.bamo.eu](http://www.bamo.eu)  
 Fax +33 (0)1 34 10 16 05 E-mail [export@bamo.fr](mailto:export@bamo.fr)

3-way pneumatic valves,  
 single or double acting  
**VP3V - INOX**

13-04-2026

D-1013.02-EN-AG

**METAL**

**1013-02 /2**