

# Pneumatic butterfly valve, single or double acting VPP - INOX



Model with aluminum actuator

- Wafer mounting ND 50 to ND 300
- Pneumatic actuator  
Single or double acting
- Visual position indicator
- Options :  
Limit switch box  
Pilot solenoid valve

## DESCRIPTION

These butterfly valves controlled by a single-acting pneumatic actuator (normally closed or normally open), or a double-acting actuator, allow or shut off the flow of fluid. Only the sealing sleeve and the disc are in contact with the fluid. Models equipped with an MT-type actuator can limit the opening or closing angle of the valve depending on the stops used (please consult us).

## TECHNICAL FEATURES

### Butterfly valve:

Body	Epoxy painted cast iron
Seals and sleeve	EPDM
Disc	Stainless steel CF8 from DN 32 to DN 100 GJS 500 cast iron with black Rilsan coating from DN 125 to DN 300
Fitting	Wafer type, between flanges PN 10/16
Maximum pressure	PN16 bar
Temperature	-20 to +80 °C (valve with actuator)
Certificate	Certification: Sanitary Compliance Certificate available on request

### Pneumatic actuator:

Models	Single-acting (NO or NC) or double-acting
Material	"UT" version in techno-polymer and "MT" version in metal <i>See Codes and References table</i>
Operating pressure	Min. 6 bar; Max. 8 bar
Fittings	1/4" G
Conformity to	<b>NAMUR VDI/VDE 3845 and ISO 5211</b>

**EC Conformity:** The instrument meets the legal requirements of the current European Directives

### Accessories (see data-sheet da913-10):

- Limit switches box
- Pilot solenoid valve 3/2 way (For single acting versions)
- Pilot solenoid valves 5/2 way (For double acting version)
- Silencer, Exhaust brake

## CODE NUMBERS AND REFERENCES

ND	Single acting: N.C.	Single acting: N.O.	Double acting
50	M 1013 201	M 1013 221	M 1013 241
65	M 1013 202	M 1013 222	M 1013 242
80	M 1013 203	M 1013 223	M 1013 243
100	M 1013 204	M 1013 224	M 1013 244
125	M 1013 205	M 1013 225	M 1013 245
150	M 1013 206	M 1013 226	M 1013 246
200	M 1013 207	M 1013 227	M 1013 247
250	M 1013 208	M 1013 228	M 1013 248
300	M 1013 209	M 1013 229	M 1013 249

**BAMO** INTERNATIONAL

22, Rue de la Voie des Bans · Z.I. de la gare · 95100 ARGENTEUIL  
Tel +33 (0)1 30 25 83 20 Web [www.bamo.eu](http://www.bamo.eu)  
Fax +33 (0)1 34 10 16 05 E-mail [export@bamo.fr](mailto:export@bamo.fr)

Pneumatic butterfly valve,  
single or double acting  
**VPP - INOX**

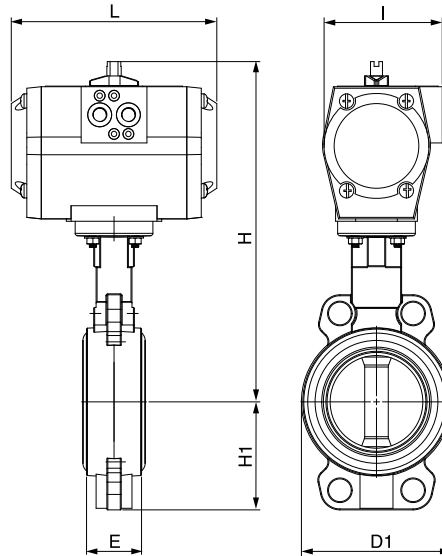
13-04-2026

D-1013.03-EN-AH

**METAL**

**1013-03 /1**

## DIMENSIONS [mm]



ND	D1	E	H1	Single effect				Double effect			
					I	L	H		I	L	H
50	102	43	72	UT13S5	86	160	267	UT13	86	160	267
65	119	46	87	MT25S5	101	186	289				272
80	135	46	96	MT30S5	96	241	316				280
100	155	52	111	MT35S5	96	261	371	UT18	101	175	320
125	185	56	125	MT40S5	113	305	390	MT25	96	248	334
150	208		134	MT45S5	138	367	414	MT30	114	239	362
200	270	60	175	MT50S5	151	381	487	MT40	131	246	439
250	328	68	213	MT60S5	185	467	480	MT45	145	351	447
300	381	78	244	<i>On request</i>			MT50	181	512		

## PHYSICAL FEATURES

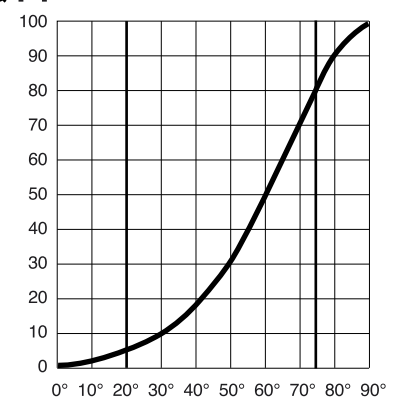
### Opening angle and Kv values:

Kv in m<sup>3</sup>/h at pressure drop 1 bar ( $\Delta P$ )

Example: DN 100 opening at 50° --> Kv = 134 m<sup>3</sup>/h

ND	10°	20°	30°	40°	50°	60°	70°	80°	90°
50	3	7	15	33	44	48	54	54	54
65	6	10	21	40	57	86	102	102	102
80	7	16	37	56	84	182	246	246	246
100	9	22	51	88	134	187	255	336	336
125	21	33	91	153	232	331	468	560	560
150	45	69	149	281	302	597	822	1015	1072
200	55	131	254	420	631	904	1388	1758	1758
250	64	246	442	710	1056	1522	2128	3096	3096
300	100	275	472	953	1450	2093	2972	4193	4480

Q [%]



Flow-rate vs. Opening angle

# BAMO INTERNATIONAL

22, Rue de la Voie des Bans · Z.I. de la gare · 95100 ARGENTEUIL

Tel +33 (0)1 30 25 83 20 Web [www.bamo.eu](http://www.bamo.eu)

Fax +33 (0)1 34 10 16 05 E-mail [export@bamo.fr](mailto:export@bamo.fr)

Pneumatic butterfly valve,  
single or double acting  
**VPP - INOX**

13-04-2026

D-1013.03-EN-AH

**METAL**

**1013-03 /2**