

Immersion probe pH/ORP 9339

- Electrode protection holder
- Easy calibration routine
- For 1 electrode (fitting PG 13.5)
- Dismantable protection end
- Material: AISI 316 L



APPLICATIONS

- pH and ORP measurements in tank, vessel, etc.

DESCRIPTION

Holder 9339 insures positioning and protection of electrode in a tank; it allows an easy calibration routine with low risks to break the electrode.
Standard material is stainless steel 316 L.
Fitting on site is done with a fixed flange (AISI 316 L) welded on the extension tube.
Flange type, dimensions, distance to electrode end, other fitting type: feasibility must be confirmed by our technical department.
Cable passes through a cable gland fitted on a clamp connection, or on a head housing in aluminum alloy.

Associated electrodes:

Associated electrodes are to be selected through the data-sheets 150 -01 & -03.
Only electrodes with fitting PG 13.5 are convenient.

TECHNICAL FEATURES

Immersion height	1 000 mm <i>Other on request (From 200 up to 3000 mm)</i>
Construction	AISI 316 L
Cable output	Or 1 Cable gland M10, centered on tri-clamp fitting Or 1 Cable gland PG 16 on aluminum head, for pH and temperature signal cables
Fitting	Or ND50 fixed flange, AISI 316 L Or ND50 adjustable flange, AISI 316 L <i>(Other ND on request)</i>

OPTION *Temperature sensor Pt 100 Ω at 0 °C, 3-wire*

CE conformity: The instrument meets the legal requirements of the current European Directives

CODE NUMBERS AND REFERENCES

Code	Reference	Description
131 150	9339-PE	AISI 316 holder, 1 m, cable gland M 10
131 155	9339-T	AISI 316 holder, 1 m, cable gland PG 16 Pt 100 Ω , aluminum head, cable gland PG 16
131 200	9359-F	ND50 fixed flange, PN 10/16
131 210	9359-C	ND50 adjustable flange, PN 10/16



Welded fixed flange, ND50



Height adjustable flange

BAMO INTERNATIONAL

22, Rue de la Voie des Bans · Z.I. de la gare · 95100 ARGENTEUIL

Tel +33 (0)1 30 25 83 20 Web www.bamo.eu

Fax +33 (0)1 34 10 16 05 E-mail export@bamo.fr

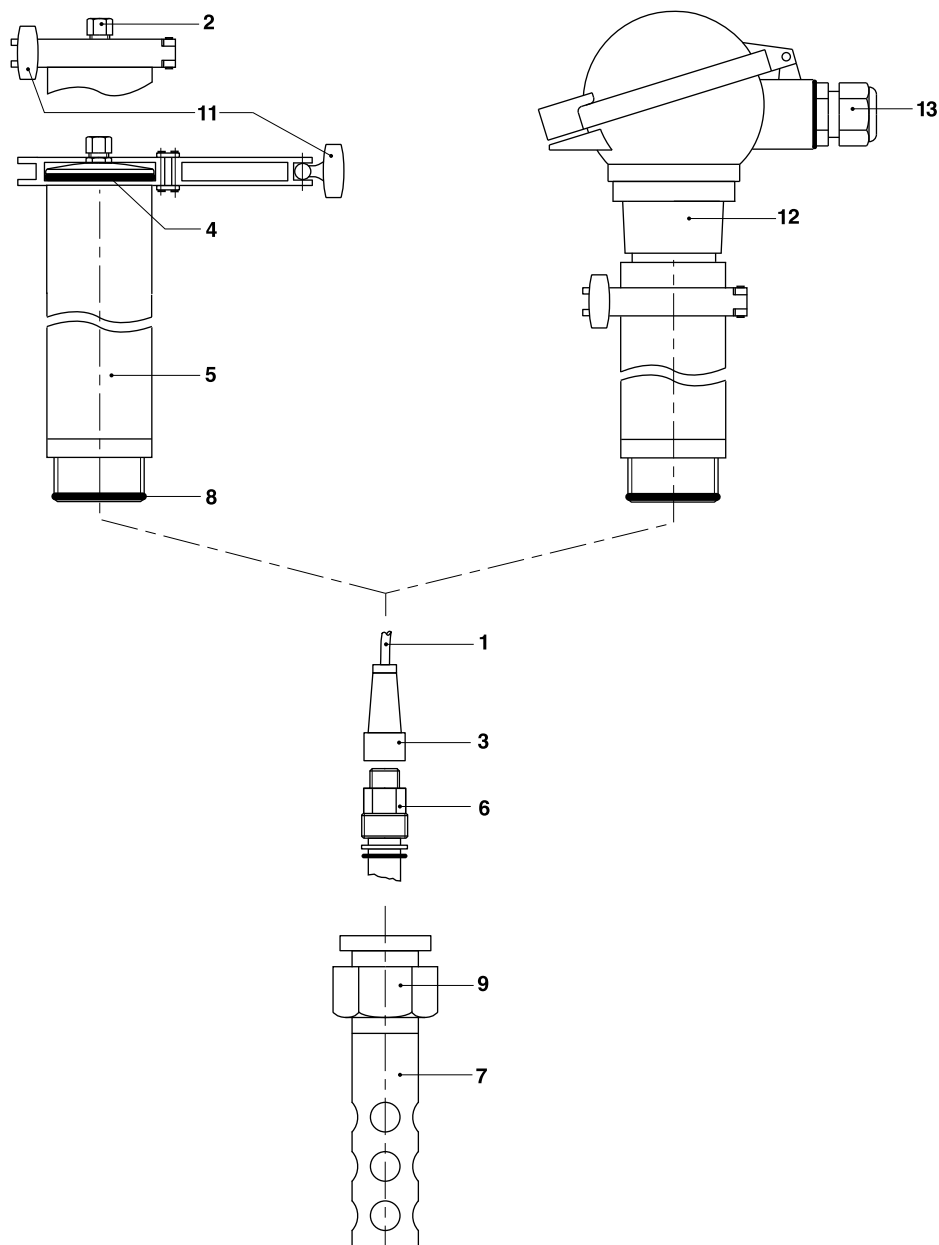
Immersion probe pH/ORP
9339

03-11-2020

D-131.01-EN-AB

pH

131-01 /1



- 1) pH measurement cable 9060
- 2) Cable gland on tri-clamp end
- 3) Connector 9054
- 4) EPDM o-ring seal for tri-clamp end
- 5) Extension tube, O.D. 42.4 mm
- 6) pH/ ORP electrode
- 7) Electrode holder on dismantable protection end
- 8) FPM o-ring seal
- 9) Loose nut
- 10) Electrode holder with fitting option for rocking bucket
- 11) Tri-clamp end cap
- 12) Aluminum head housing
- 13) Cable gland PG 16

BAMO INTERNATIONAL

22, Rue de la Voie des Bans · Z.I. de la gare · 95100 ARGENTEUIL

Tel +33 (0)1 30 25 83 20 Web www.bamo.eu

Fax +33 (0)1 34 10 16 05 E-mail export@bamo.fr

Immersion probe pH/ORP
9339

pH

131-01 /2

03-11-2020

D-131.01-EN-AB