

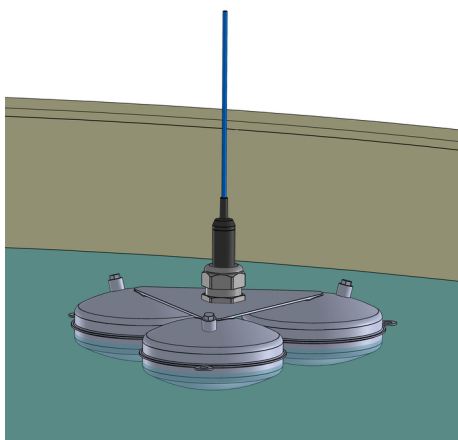
# Electrodes and sensors holders for variable level FLOATING PROBE HOLDERS



Floating holder for pH measurements



With NivOil hydrocarbon sensor



- Floating holders for variable level
- Equipped with mooring rings
- Construction: AISI 316 L
- For pH measurement
- For hydrocarbons layer probe

## APPLICATIONS

Floating holders allow measurement or detection (pH, hydrocarbons layer thickness) when the level is variable (lake, else...), even with great amplitudes. They may be secured by cables through two mooring rings and accept moderate stream in rivers, basins, lakes.

Examples:

- Rainwater retention
- Underground reservoir

## DESCRIPTION

The float system for pH measurement features a circular float in 316 L stainless steel for greater stability. A flange with tightening nut allows adjustment of the immersion depth of the pH electrode holder.

For hydrocarbon layer thickness detector, the floating holder is made of 3 floats allowing free movement of hydrocarbon fluids layer. Immersion depth of probe can be adjusted via the pressure gland.

Each model comes with 2 mooring rings to secure the complete system. Their simple stainless steel mechanical structures make them robust and maintenance-free.

Contact us for any specific application.

## CODE NUMBERS AND REFERENCES

Code	Description
143 500	Floating holder for NivOil probe
143 510	Floating holder for immersion probe 9336 (flange included)
143 511	Floating holder for immersion probe 9346 and TOR (without flange)

*Note: Probes 9336, 9346 and hydrocarbons detector, are not included with the supply, to order separately (Data-sheets 130-01, 135-01 and 531-01).*

## CAUTION:

- pH immersion probe length must be less than 500 mm.
- On site, the operator has to take care of depth distance to be sure that end probe cannot touch the bottom of the pool when water is at its lowest level.

**BAMO** INTERNATIONAL

22, Rue de la Voie des Bans · Z.I. de la gare · 95100 ARGENTEUIL

Tel +33 (0)1 30 25 83 20 Web [www.bamo.eu](http://www.bamo.eu)

Fax +33 (0)1 34 10 16 05 E-mail [export@bamo.fr](mailto:export@bamo.fr)

Electrodes and sensors  
holders for variable level  
**FLOATING PROBE HOLDERS**

30-07-2025

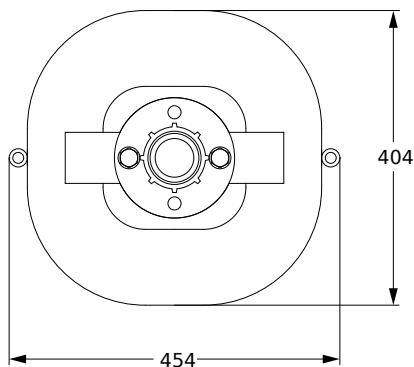
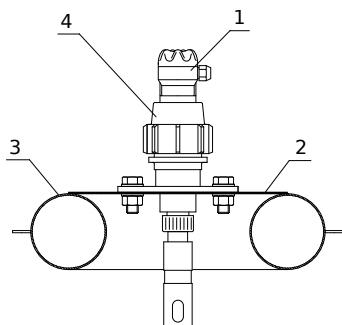
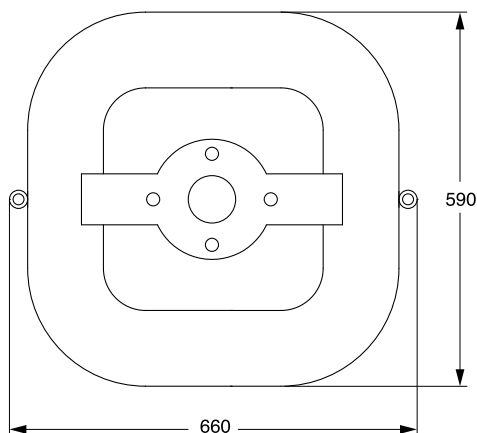
D-143.02-EN-AG

pH

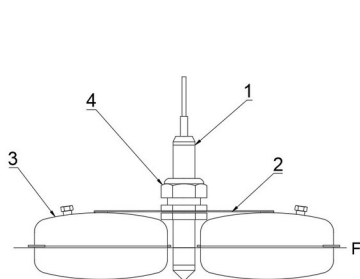
143-02/1

**Floating holder for probe 9336:**

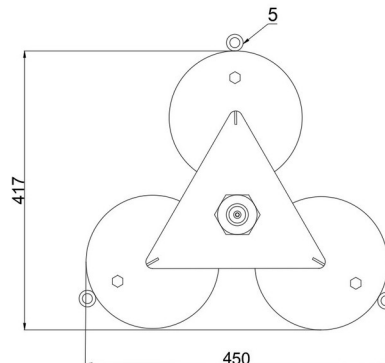
- (1): Immersion probe 9336 (to order separately)  
 (2): Plate  
 (3): Float AISI 316, Ø 104 mm  
 (4): Fitting: Adjustable flange

**Floating holder for immersion probe 9346 and TOR:****Floating holder for NivOil probe:**

- (1): Hydrocarbon level detector (to order separately)  
 (2): Plate  
 (3): Floats AISI 316; Each: Ø 200 mm  
 (4): Fitting: PG M50 x 1,5  
 (5) : Guiding washer



F: Waterline



**BAMO** INTERNATIONAL

22, Rue de la Voie des Bans · Z.I. de la gare · 95100 ARGENTEUIL

Tel +33 (0)1 30 25 83 20 Web [www.bamo.eu](http://www.bamo.eu)

Fax +33 (0)1 34 10 16 05 E-mail [export@bamo.fr](mailto:export@bamo.fr)

**Electrodes and sensors  
 holders for variable level  
 FLOATING PROBE HOLDERS**

30-07-2025

D-143.02-EN-AG

**pH**

**143-02/2**