

Counter, Totalizer, Dosing controller BAMOWIZ DOZ



Monitor BAMOWIZ DOZ (fig. 1)



Remote dosing control unit (fig. 2)

- Dosing function
- Counter and Totalizer
- Remote dosing control unit
- For pulse flow sensors
- Frequency input: from 0.04 Hz up to 10 kHz
- Graphic color touch screen

APPLICATIONS

BAMOWIZ DOZ is a programmable counter and totalizer as well as a dosing system. It accepts pulse signals from flow sensors operating in the range of 0.04 Hz to 10 kHz

DESCRIPTION

Le BAMOWIZ DOZ se compose de deux éléments:

- A programmable monitor (fig. 1)
- A remote dosing control unit (fig. 2)

The BAMOWIZ DOZ is compatible with flow sensors which emit a frequency ranging from 0.05 Hz to 10 Hz such as the BAMOFU (See doc 780-01), ...

Through a programmable factor, the input frequency is converted in a readable value (litre, m³ etc.)

The graphic color touch screen facilitates settings through the menus and allows viewing of all parameters.

A dosing cycle may be started (or interrupted) via the remote dosing control unit. Then, the remote unit also directly controls a solenoid valve (static output).

The display unit BAMOWIZ DOZ monitor, can be used alone, when your automatic operating mode only requires the action of a dry contact (potential free).

CODE NUMBERS

Code	Description
217 310	BAMOWIZ DOZ MONITOR
217 315	BAMOWIZ DOZ Remote dosing control unit, 24 DC
217 316	BAMOWIZ DOZ Remote dosing control unit, 24...230 V AC

BAMO INTERNATIONAL

22, Rue de la Voie des Bans · Z.I. de la gare · 95100 ARGENTEUIL

Tel +33 (0)1 30 25 83 20 Web www.bamo.eu

Fax +33 (0)1 34 10 16 05 E-mail export@bamo.fr

Counter, Totalizer, Dosing
controller
BAMOWIZ DOZ

24-03-2022

D-217.05-EN-AA

RE

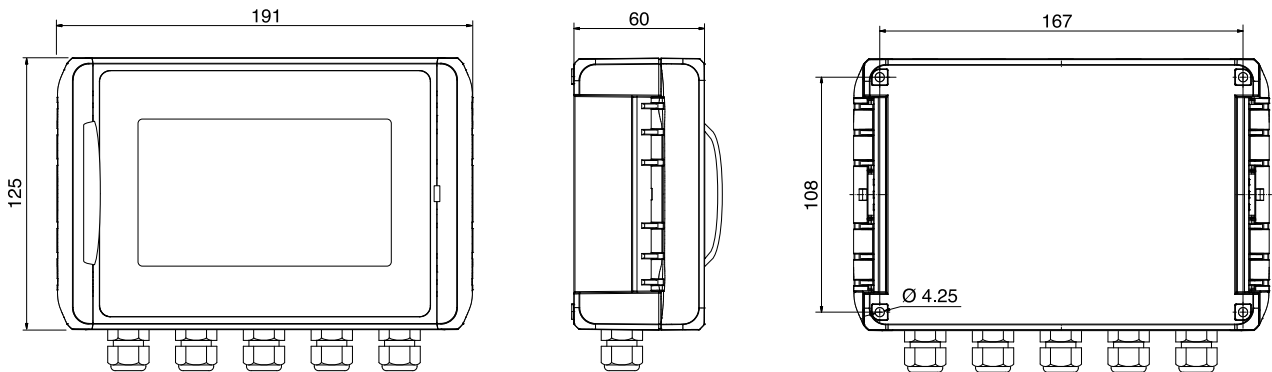
217-05/1

TECHNICAL FEATURES

User interface	Graphic color touch screen, size 4/3 Resolution: 480 x 272 pixels
Languages	English - French - German Polish - Portuguese - Spanish
Touch screen keyboard, alphanumeric	Dedicated for each language
Counter, Totalizer for pulse flow sensors	
Frequency input	Range from 0.04 Hz up to 10 kHz
Bounce-free counting	For potential-free contact
Relay outputs	3 N.O. contacts, to set; potential free Pulse mode or ON/OFF mode
Adjustable thresholds	Total of 8 thresholds to set and assigned to the 3 relays For the functions: Totalizer, counter or timer (alarm delay)
Alarm delay	From 0 to 9999 s
Switching power	3 A / 250 V AC
Hysteresis	Adjustable from 0 to 100 %
Reset on Totalizer	Reset to zero of totalizer and number of cycles
Relay switching simulation	Manual test for each relay
1 Static output	Solenoid valve control (with an external power supply) 230 V AC; Max. 400 W Version 24 VDC: Max. 40 W
Main power supply	100 ... 240 V AC - 50/60 Hz
Consumption	Max. 5 VA
Electrical connections	Screw terminals
Cable glands	Total: 5; PG 9
Mounting	Wall mount cabinet, IP 65 – ABS plastic
Ambient temperature limits	-10 ... +50 °C

EC Conformity: These devices meet the legal requirements of the current European Directives.

DIMENSIONS



BAMO INTERNATIONAL

22, Rue de la Voie des Bans · Z.I. de la gare · 95100 ARGENTEUIL

Tel +33 (0)1 30 25 83 20 Web www.bamo.eu

Fax +33 (0)1 34 10 16 05 E-mail export@bamo.fr

Counter, Totalizer, Dosing
controller

BAMOWIZ DOZ

24-03-2022

D-217.05-EN-AA

RE

217-05/2