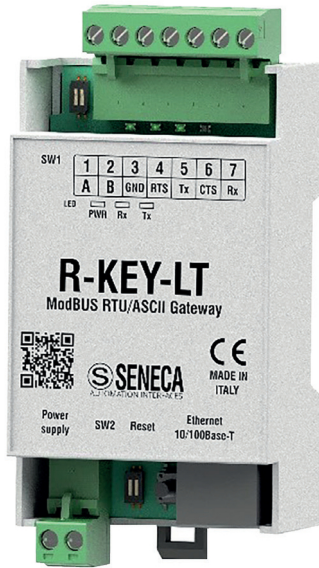


Industrial communication MODBUS gateway

R-KEY-LT Series



- MODBUS :TCP-IP to RTU / ASCII
- And vice versa
- Traffic monitoring by webserver
- Ethernet front port RJ45: Fast Ethernet 10/100 Tx
- Up to 8 TCP-IP Clients - Up to 10 TCP/IP Servers
- 1 Serial port RS232 / RS485
- Mounting: Rail DIN or wall mount

DESCRIPTION

R-KEY-LT is a compact and reliable MODBUS gateway that converts from MODBUS TCP-IP protocol to MODBUS RTU / ASCII and vice versa. It supports up to 8 TCP-IP MODBUS clients simultaneously and 10 MODBUS TCP-IP servers.

Allow to integrate serial MODBUS slave devices into an existing TCP-IP MODBUS network as well as MODBUS TCP-IP slave devices can be made accessible to serial master.

R-KEY-LT can be configured through web server and software tools.

It has a mixt power V ac/ V dc, 1,5 kV ac isolation.

It can be powered also by 230 V ac (With optional accessory).

TECHNICAL FEATURES

Power	10 ... 40 V dc; 19 ... 28 V ca
Maximum power consumption	1 W
Ethernet port isolation	1,5 kV ac
LED indicators	Power status Rx-Tx serial communication status Ethernet link / traffic, status
Pollution degree	2
Protection	IP 20
Operating temperature	-20 ... +70 °C
Dimensions	32 x 110 x 52 mm
Case	PC/ABS UL94-V0 self-extinguishing RAL 7035 (grey)
Mass	80 g

Connections: Removable screw terminals 7/2 ways, step 5 mm

Mounting: DIN rail (IEC EN 60715) or wall mount

COMMUNICATION

Ethernet port	1 Fast Ethernet 10/100 Tx port, RJ45 connectors; Up to 8 TCP-IP Clients / Up to 10 TCP/IP Servers
Serial port	1 RS232 / RS485 switchable serial port; Max. baud rate: 115 kbps
Protocols	MODBUS TCP-IP, MODBUS RTU, MODBUS ASCII
Ethernet to Serial	Max. 8 MODBUS TCP
Serial to Ethernet	Max 10 MODBUS TCP servers

BAMO INTERNATIONAL

22, Rue de la Voie des Bans · Z.I. de la gare · 95100 ARGENTEUIL

Tel +33 (0)1 30 25 83 20 Web www.bamo.eu

Fax +33 (0)1 34 10 16 05 E-mail export@bamo.fr

Industrial communication
MODBUS gateway
R-KEY-LT Series

13-06-2022

D-239.02-EN-AA

RE

239-02/1

OPERATING MODE

MODBUS Gateway	From MODBUS TCP-IP to MODBUS RTU/ASCII From MODBUS RTU/ASCII to MODBUS TCP-IP
Traffic monitoring	by webserver

CPU

Processor	ARM 32 bits
-----------	-------------

SETTINGS

Web Server	Yes (HTTP server with PHP e CGI support; Basic authentication security (login/password));
DIP switches	Yes (RS485, IP)
Software tools	SENECA Discovery Device

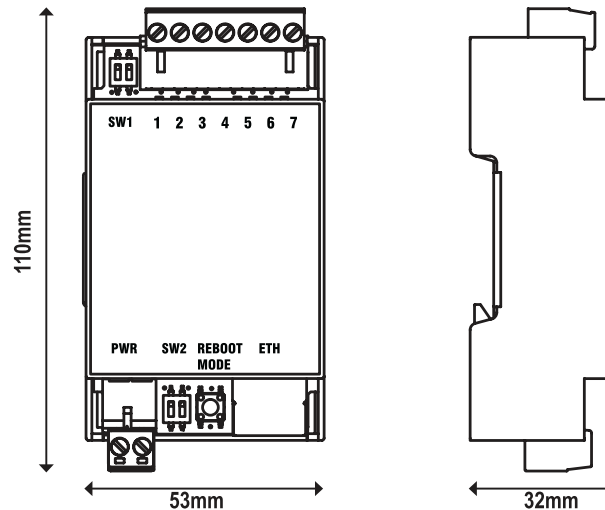
STANDARDS

Approvals	CE
Norms	EN61000-6-4 - EN61000-6-2 - EN61010-1

CODE NUMBERS AND REFERENCES

Code	Reference	Description
239 050	R-KEY-LT	1-Port ModBUS RTU/ASCII Gateway
239 057	ALIM-MY2	Power supply unit 230 V / 12 V
239 060	CE-RJ45-RJ45-R	Straight-thru Ethernet cable (RJ45-RJ45), 1.5 m
239 070	SDD	Software discovery, visualization and modifications

DIMENSIONS



BAMO INTERNATIONAL

22, Rue de la Voie des Bans · Z.I. de la gare · 95100 ARGENTEUIL

Tel +33 (0)1 30 25 83 20 Web www.bamo.eu

Fax +33 (0)1 34 10 16 05 E-mail export@bamo.fr

Industrial communication
MODBUS gateway
R-KEY-LT Series

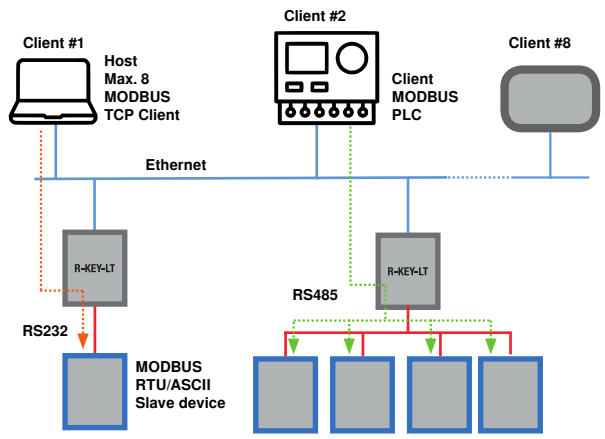
13-06-2022

D-239.02-EN-AA

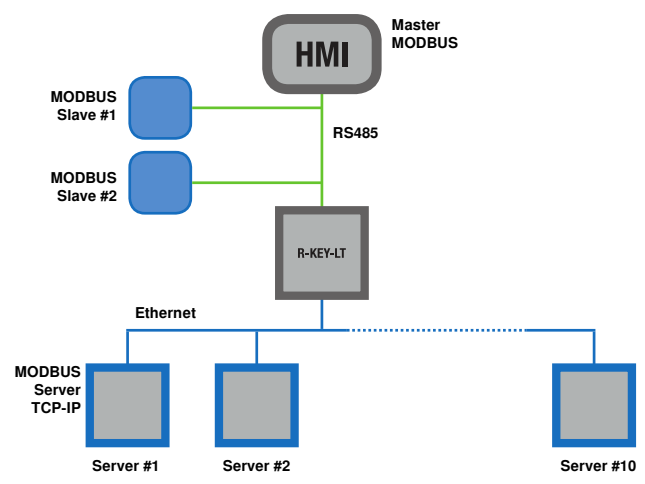
RE

239-02/2

MODBUS TCP → MODBUS RTU / ASCII



MODBUS RTU / ASCII → MODBUS TCP



EXTENDED SERIAL OVER ETHERNET

