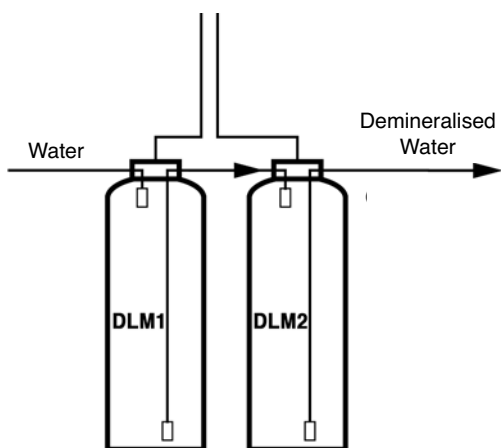


# Resistivity Metre BAMOPHOX 319 ML-DB



- 2 independent sensors  
Input 1: range 0...20 MΩ  
Input 2: scalable range 0...20 MΩ / 0...2 MΩ
- Dedicated probes and sensors  
With Factor probe C = 0.01, 0.1, 1 and 10
- 2 adjustable analog output 0/4-20 mA
- 3 relay outputs (NO contact)
- Wall mounting IP 65



## DESCRIPTION

BAMO Mesures SAS designed the resistivity metre 319 ML / DB for process control and survey of demineralised water through two bottles of resins.

Input 1: controls the first bottle, as a blind instrument (without display)

As soon as the fluid resistivity is less than the preset value the relay 1 switches a signal alarm to inform the operator.

Input 2: controls the second bottle with its own alarm parameters.  
The measurement of resistivity is permanently displayed.

3 relay outputs are to be used either for the input 1 or input 2; adjustments are done by the operator.

The 4-20 mA outputs allow the report of process operations, in order to have a true image of water quality.

## CODE NUMBER AND REFERENCE

**319 200** Resistivity metre BAMOPHOX 319 ML/DB

Example with dedicated probes:



BC 1427



BS 1285

# BAMO MESURES

22, Rue de la Voie des Bans - Z.I. de la Gare - 95100 ARGENTEUIL

Tél : (+33) 01 30 25 83 20 - Web : [www.bamo.fr](http://www.bamo.fr)

Fax : (+33) 01 34 10 16 05 - E-mail : [info@bamo.fr](mailto:info@bamo.fr)

Resistivity Metre  
**BAMOPHOX**  
**319 ML-DB**

20-02-2008

319 11 02 B

**RES**

**319-02/1**

## TECHNICAL FEATURES

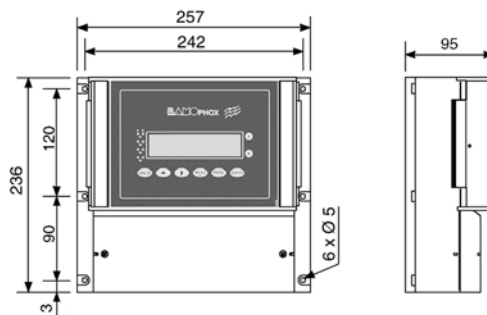
Displayed parameters:	Measurement values - Configuration Menu
Display:	Back lighted - 1 line of 16 alphanumeric characters ; 9,2 mm high
Indication:	LED alarms status
Configuration:	8 push buttons keyboard on front face - Keyword protected
Scales:	200 $\Omega$ to 200 M $\Omega$
Accuracy:	$\pm 0,3\%$
Probe input:	Coaxial connector BNC type Input 1: 20 M $\Omega$ Input 2: adjustable
Temperature compensation:	On range 20 M $\Omega$ , automatic with an input for a 3 wires Pt 100 $\Omega$ /0° Manually from 0 to 100°C CAUTION: with 0.1 sensor Factor there is no automatic compensation (manual only)
Relay outputs:	3 closing contacts (Silver alloy), voltage free
Thresholds:	3 programmable independent thresholds - with adjustable hysteresis 0...100% - and adjustable timer from 0 to 9999 sec
Output relay (S4):	Not available
Contact:	Initial resistance 100 m $\Omega$ as a maximum (voltage drop 6 V DC 1 A) Rated at 831 V AC / 3 A / 277 V AC ; 90 W / 3 A / 30 V DC Switching capacity (minimum) 100 mA, 5 V DC (depending of switching frequency, ambient conditions, accuracy) Mechanical life time (minimum) 5 x10 <sup>6</sup> operations (180 commutation/min) Electrical life time (minimum) 2 x10 <sup>5</sup> (20 comm./min) [3 A, 125 V AC], [3 A, 30 V DC] and 10 <sup>5</sup> (evaluated charge) for 3 A, 125 V AC Relay outputs inhibited, analogical outputs stand on last values
Calibration sequence:	0/4-20 mA (maxi 600 $\Omega$ ) proportional to measurement, galvanic insulated
Measurement output:	Simulation through the menu on measurement and relays outputs
Program Testing:	
Main power supply:	230 V AC / 50-60 Hz [other on request] - Consumption 10 VA
Models:	Wall mounting, IP65, cable glands, connections on screw terminal

### OPTION

Data Logger:	Cycle average measurement record, with a programmable period, 150000 records maxi on MMC (multi media card) / External driver necessary
--------------	---

## DIMENSIONS

Extension model has the same dimensions.



## RANGES

With temperature compensation								
Factor	0,01		0,1		1		10	
Scale 1	20,00	MOhm	2,000	MOhm	200,0	KOhm	20,00	KOhm
Scale 2	2,000	MOhm	200,0	KOhm	20,00	KOhm	2,000	KOhm
Without temperature compensation								
Factor	0,01		0,1		1		10	
Scale 1	200,0	MOhm	20,00	MOhm	2,000	MOhm	200,0	KOhm
Scale 2	20,00	MOhm	2,000	MOhm	200,0	KOhm	20,00	KOhm
Scale 3	2,00	MOhm	200,0	KOhm	20,00	KOhm	2,000	KOhm
Scale 4	200,0	KOhm	20,00	KOhm	2,000	KOhm	200,0	Ohm

# BAMO MESURES

22, Rue de la Voie des Bans - Z.I. de la Gare - 95100 ARGENTEUIL

Tél : (+33) 01 30 25 83 20 - Web : [www.bamo.fr](http://www.bamo.fr)

Fax : (+33) 01 34 10 16 05 - E-mail : [info@bamo.fr](mailto:info@bamo.fr)

Resistivity Metre  
**BAMOPHOX**  
**319 ML-DB**

**RES**

**319-02/2**

20-02-2008

319 IT 02 B