

Conductivity meter for inductive probe BAMOPHAR 364



- Color touch-sensitive screen
- Measuring range, 4 scales:
0 - 2 mS/cm up to 0 - 2000 mS/cm
- Automatic temperature compensation
- 2 Outputs 0/4-20mA
- 3 Independent relays
- 1 Relay for alarms
- OPTIONS :
RS 422 /J-BUS + LOGGER
Extension terminal for 2nd measuring parameter

APPLICATIONS

Conductivity measurement for monitoring and/ or regulation in water treatment, chemical industries, industrial applications:

- Cooling towers survey
- Clean water control (wells, drinking water, thermal baths ...)
- Stormwater and runoff water survey
- WWTP survey
- Concentration measurements of acid and base
- Chemicals quality survey
- Option: display in concentration of NaCl, NaOH or HCl

DESCRIPTION

BAMOPHAR displays on a color touch-sensitive screen a multilingual friendly using menu. The reading is easy for measurement, temperature and relay status. Conductivity and temperature values are available as well from outputs 4-20 mA

With inductive probes TCS 3020 or TCS S50, BAMOPHAR 364 allows measurements from 10 μ S/cm up to 2000 mS/cm all along process routines.

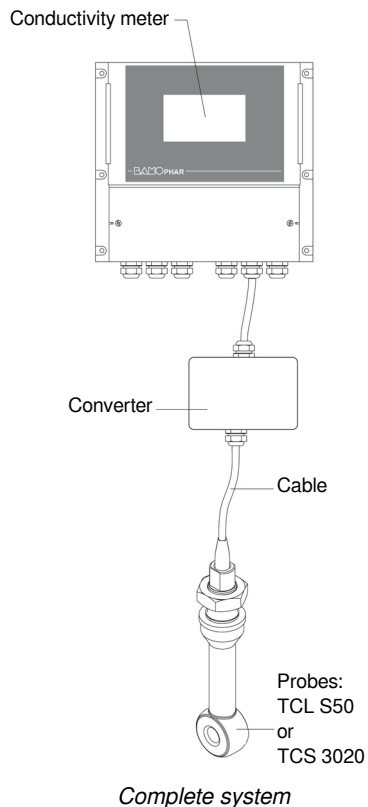
- Probe TCS 3020 in NORYL (data-sheet 364-01) is recommended for neutral liquids.
- Probe TCS S50 in PEEK (data-sheet 364-05) is recommended when application requires high chemical resistance or process is at high temperature.

A complete system includes:

- 1 Inductive probe, cable output
- 1 Probe holder for immersion or on-line application.
- 1 Converter, factory calibrated.
- 1 Monitor BAMOPHAR 364 (data-sheet 364-05)

OPTION: Extension terminal for 2nd measuring parameter

- Allows a second measuring parameter (pH, flow-rate, turbidity, etc.) Data from this blind unit are displayed on the main unit
- Mounting: wall or panel versions
- Connected to main unit with 2 x2 wires shielded cable (Cable length between both devices: max. 500 m)
- RS422 and Data Logger of main unit are shared between both units



BAMO INTERNATIONAL

22, Rue de la Voie des Bans · Z.I. de la gare · 95100 ARGENTEUIL
Tel +33 (0)1 30 25 83 20 Web www.bamo.eu
Fax +33 (0)1 34 10 16 05 E-mail export@bamo.fr

Conductivity meter for
inductive probe
BAMOPHAR 364

01-03-2017

D-364.04-EN-AB

364-04 /1

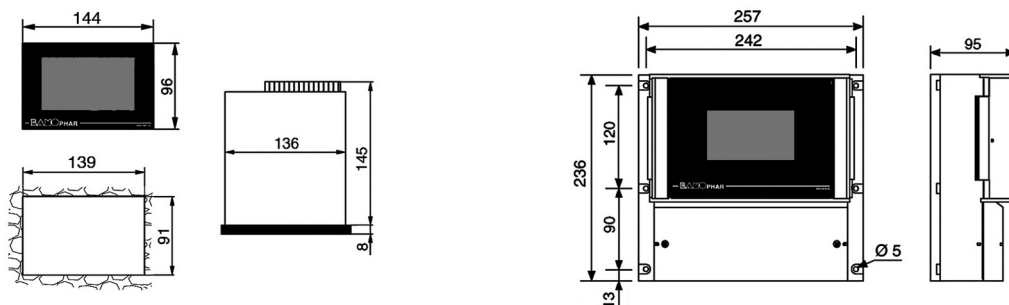
TECHNICAL FEATURES

End-user interface	Color touch-sensitive screen 4.3", resolution 480x272 pixels Display of measurements, menus, temperature, relay status Configuration: Keyword protected
Measuring range	10 μ S/cm up to 2000 mS/cm
Measuring ranges	0 ... 2 mS/cm; 0 ...20 mS/cm; 0 ... 200 mS/cm; 0 ... 2000 mS/cm
Accuracy	$\pm 0.3 \%$; $\pm 0.3 \text{ }^\circ\text{C}$
Probe input	On screw connectors
Temperature compensation	Automatic with Pt 100 signal, sensor built-in the inductive probe. Manually between 0 and 100 $^\circ\text{C}$
Relay outputs	4 contacts, NO, potential free
Configurable thresholds	S1, independent threshold, to set up for measurement or temperature S2, independent threshold, to set up for measurement or temperature S3, independent threshold, to set up for measurement or temperature or external function S4, to set up for alarming function: out of range or broken cable
Hysteresis	To set up between 0 and 100 % on S1, S2 and S3
Contact Initial resistance	100 m Ω max. (voltage drop 6 V DC 1 A)
Switching power	831 VA AC / 3 A / 277 V AC 90 W / 3 A / 30 V DC
Switching capacity (min.)	100 mA, 5 V DC (depends of frequency, ambient conditions, accuracy).
Mechanical lifetime (min.)	5 x 10 ⁶ operations (180 op./min)
Electrical lifetime (min.)	2 x 10 ⁵ (at 20 op./min) for 3 A 125 V AC, 3 A 30 V DC - 10 ⁵ (estimated load) for 3 A 125 V AC
Measurement output	0/4 - 20 mA (max. 600 Ω) proportional to measurement
Temperature output	0/4-20 mA (max. 600 Ω), for all scales from 0 to 100 $^\circ\text{C}$
Main power supply	230 V AC / 50-60 Hz (others on request) - Consumption 10 VA
Models	Panel mounting, 96x144 mm, Front IP65, rear back screw terminal IP40 Wall mounting, IP65, cable glands, screw terminal
OPTION (RS 422 + Logger)	
Interface	RS422 output, J-BUS link - Binary slave mode - 2400 to 9600 bauds
Data Logger	Record of cycle average measurement, programmable cycle time 150 000 records max. on memory card.

CODE NUMBERS AND REFERENCES

Code	Reference	Description
364 520	BAMOPHAR 364 E	Panel mounting, box 96x144 mm, Front IP65, rear back connector IP40
364 521	BAMOPHAR 364 E/A	Panel mounting, box 96x144 mm - Extension, blind monitor; Front IP65, rear back connector IP40
364 522	BAMOPHAR 364 E LOG BUS	Panel mounting, box 96x144 mm/ RS422 + logger/ Front IP65, rear back connector IP40
364 523	BAMOPHAR 364 D/A	DIN Rail mounting/ Extension, blind monitor/ IP40
364 560	BAMOPHAR 364 M	Wall mounting, Box IP 65, screw connectors, cable glands
364 561	BAMOPHAR 364 M/A	Wall mounting, box IP 65/ Extension, blind monitor/ screw connectors, cable glands
364 562	BAMOPHAR 364 M LOG BUS	Wall mounting, box IP 65/ RS 422 + logger/ screw connectors, cable glands

DIMENSIONS



BamoPHAR ... E, E/A, D/A, E LOG BUS

BamoPHAR ... M, M/A, M LOG BUS

BAMO INTERNATIONAL

22, Rue de la Voie des Bans · Z.I. de la gare · 95100 ARGENTEUIL
Tel +33 (0)1 30 25 83 20 Web www.bamo.eu
Fax +33 (0)1 34 10 16 05 E-mail export@bamo.fr

Conductivity meter for
inductive probe
BAMOPHAR 364

01-03-2017

D-364.04-EN-AB

364-04/2