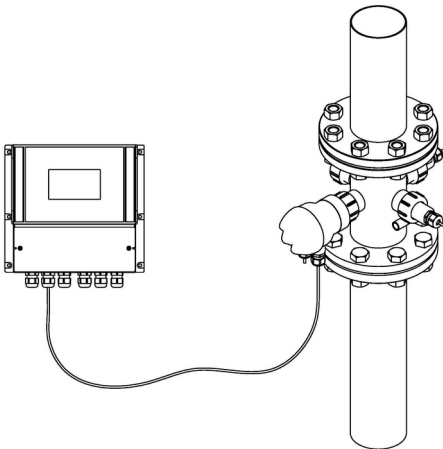


IN-LINE TURBIDITY SYSTEM TRUBOMAT GAB



- Continuous turbidity measurement according to ISO 7027
90 ° scattered light measurement and 180 ° transmitted light measurement
- Measuring cell: AISI 316 L
- Measuring ranges:
0.01 ... 20 FNU
0.1 ... 500 FNU & 100 ... 1000 FAU
- Output signal: 4-20 mA (4-wire)
- Process connections:
DIN flanges or Triclamp



Remote signal to a monitor BAMOPHAR (option)

APPLICATIONS

- Well water monitoring
- Monitoring of membranes for filtration or reverse osmosis
- Wastewater control in outlet of WWTP
- Cooling plant monitoring
- Filter monitoring

DESCRIPTION

TRUBOMAT GAB measures the turbidity of liquid applying nephelometric method. For this purpose, a combined transmitted & scattered beams measurements are used, in which a transmitter and a receiver face each other and another transmitter is arranged orthogonally (at an angle of 90 °). The attenuated and scattered lights are recorded by the electronic module (in the connection head) and process the results to transmit a linear output signal. TRUBOMAT GAB delivers a 4-20 mA signal, according to the set measuring range.

TRUBOMAT GAB 20:

5 scales to select by DIP switches from 0.01 ... 1 up to 0.01 ... 20 FNU

TRUBOMAT GAB 1000:

5 scales to select by DIP switches from 0.1 ... 500 FNU up to 100 ... 1000 FAU

INSTALLATION

Installation only in vertical piping and rising flow.

Optimal condition: tranquilization distances of 600 mm before and 400 mm after, the TRUBOMAT.

TECHNICAL FEATURES

Power supply	24 V DC nominal (10 ... 30 V DC)
Consumption	0.5 ... 1 W
Output signal	4-20 mA
Ambient temperature	+5 ... +45 °C
Liquid temperature	+5 ... +100 °C
Pressure limit	10 bar at 60 °C

Materials:

Measuring cell	AISI 316 L (1.4404)
Connection heads	PBT housing, glass fiber reinforced; IP65 according to EN 60529
Seals	EPDM (others on request)
Optical windows	Borosilicate glass with Cleanosil nanocoating

BAMO INTERNATIONAL

22, Rue de la Voie des Bans · Z.I. de la gare · 95100 ARGENTEUIL

Tel +33 (0)1 30 25 83 20 Web www.bamo.eu

Fax +33 (0)1 34 10 16 05 E-mail export@bamo.fr

IN-LINE TURBIDITY SYSTEM
TRUBOMAT GAB

22-09-2021

D-446.01-EN-AD

TUR

446-01 /1

TECHNICAL FEATURES (continued)

Measuring ranges

TRUBOMAT GAB 20					
ND 25 to ND 100	0.01 ... 1 FNU	0.01 ... 2 FNU	0.01 ... 5 FNU	0.01 ... 10 FNU	0.01 ... 20 FNU
TRUBOMAT GAB 1000					
ND 20 to ND 65	0.1 ... 50 FNU	0.1 ... 100 FNU	0.1 ... 200 FNU	0.1 ... 500 FNU	100 ... 1000 FAU
ND 80 to ND 100	0.1 ... 50 FNU	0.1 ... 100 FNU	0.1 ... 200 FNU	0.1 ... 300 FNU	100 ... 1000 FAU

Accuracy	±5 % of reading, ±1 % of full scale in use
Resolution	From 0.001 to 0.2 FNU according the scale in use
Color / contamination compensation	Only for TRUBOMAT GAB 20 up to ND 65
Set up	Through DIP switches (6)
Displayed information	Operating: Green LED; Fault: Red LED
Process connections	Flanges DIN 2633 - ND 25 to ND 100 / PN 10 On request: Triclamp DIN 32676 (specific) from ND 25 to ND 100 others on request

EC Conformity: The instrument meets the legal requirements of the current European Directives

CODE NUMBERS AND REFERENCES

Standard models with flanges DIN 2633:

ND	Measuring range: 0.01 ... 20 FNU			Measuring range: 0.1 ... 500 FNU - 100 ... 1000 FAU	
	Code	Reference		Code	Reference
25	446 223	GAB FF 20 3		446 123	GAB FF 1000 3
32	446 224	GAB FF 20 4		446 124	GAB FF 1000 4
40	446 225	GAB FF 20 5		446 125	GAB FF 1000 5
50	446 226	GAB FF 20 6		446 126	GAB FF 1000 6
65	446 227	GAB FF 20 7		446 127	GAB FF 1000 7
80	446 228	GAB FF 20 8		446 128	GAB FF 1000 8
100	446 229	GAB FF 20 9		446 129	GAB FF 1000 9

Other versions: on request.

Code	Reference	Description
444 910	TURBICLICK 5.7	Torque wrench for optical windows assembly
444 911	O-ring seals for TRUBOMAT GAB	Set of 10 o-ring seals for TRUBOMAT GAB
444 902	Optical windows for TRUBOMAT GAB	Set of optical windows for TRUBOMAT GAB
446 920	Test equipment for GAB 20	Control kit, dry rod, for TRUBOMAT GAB 20
446 921	Test equipment for GAB 1000	Control kit, dry rod, for TRUBOMAT GAB 1000



Torque wrench
TURBICLICK 5.7 for optical
windows assembly (option)

BAMO INTERNATIONAL

22, Rue de la Voie des Bans · Z.I. de la gare · 95100 ARGENTEUIL
Tel +33 (0)1 30 25 83 20 Web www.bamo.eu
Fax +33 (0)1 34 10 16 05 E-mail export@bamo.fr

IN-LINE TURBIDITY SYSTEM
TRUBOMAT GAB

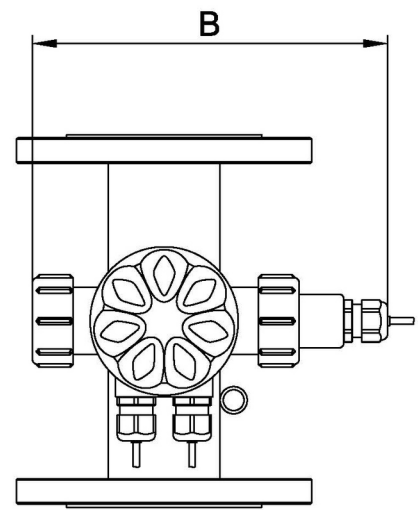
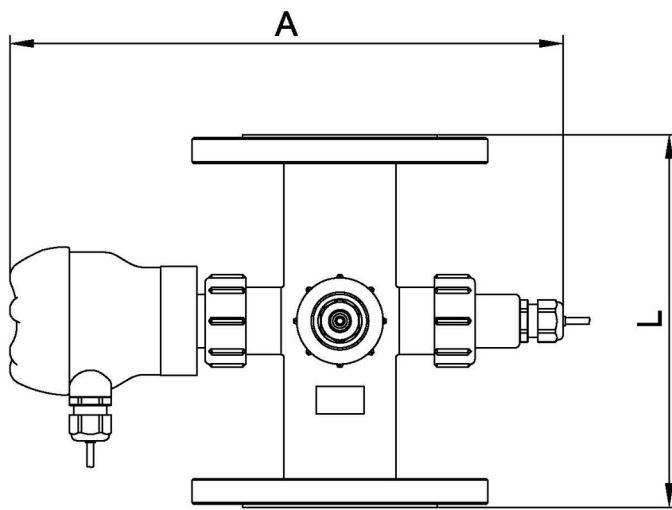
22-09-2021

D-446.01-EN-AD

TUR

446-01 /2

DIMENSIONS



ND	A ± 1 mm	B ± 1 mm	L ± 1 mm Flanged fittings	L ± 1 mm Triclampt fittings	Measuring cell Inner Ø
25	346	222	274	287	65
32			252	265	
40			230	243	
50			190	199	
65	384	260	233	255	100
80			208	224	
100			240	256	

BAMO INTERNATIONAL

22, Rue de la Voie des Bans · Z.I. de la gare · 95100 ARGENTEUIL

Tel +33 (0)1 30 25 83 20 Web www.bamo.eu

Fax +33 (0)1 34 10 16 05 E-mail export@bamo.fr

**IN-LINE TURBIDITY SYSTEM
TRUBOMAT GAB**

22-09-2021

D-446.01-EN-AD

TUR

446-01 /3