

Resistive level probe STE



- For level control
- Applications with conductive liquids
- 1 to 5 Electrode rods
- Level control with relays ES2001 and ES5000

APPLICATIONS

- Level control in open or closed vessels
- Alarm for excess or lack of liquid (leak detection, empty piping, dry-pump prevention, etc.)
- Fill or drain function with ES 2001 relay

DESCRIPTION

The STE level probe with a relay ES2001 detect the level of electrically conductive liquids.

According to the model, up to 5 levels may be triggered (using the tank as the reference electrode)

Provide a reference electrode if the tank is made of insulating material.

These STE probes are not suitable for liquids with hydrocarbons or grease or for any other application where an insulating layer may deposit on the electrode rods.

TECHNICAL FEATURES

Electrodes	Up to 5 rods, AISI 316 L (Titanium in option)
Fitting	PP or AISI 316
Head housing	PBT glass fiber reinforced, IP 65 (EN 60 529), cable gland M20 x 1
Option: Partial insulation	Polyolefin (heat shrinkable) <i>To avoid false alarms by conductive bridge through the medium between electrode rods or if the electrodes are long and can touch each others.</i>
Temperature limits	Ambient: -20 ... +60 °C Liquid: -5 ... +100 °C (restrictions apply according the chemical)
Pressure limits	6 bar at +20 °C 1 bar at 100 °C Other pressure limits: On request
Min. L1 & L2	45 mm
Max. L1 ... L5	2000 mm
Installation	Vertical on top of tank; Never install horizontally

CAUTION:

STE with relays ES2001 are designed for liquids with a conductivity > 6.6 µS or a lower resistance than 150 kΩ

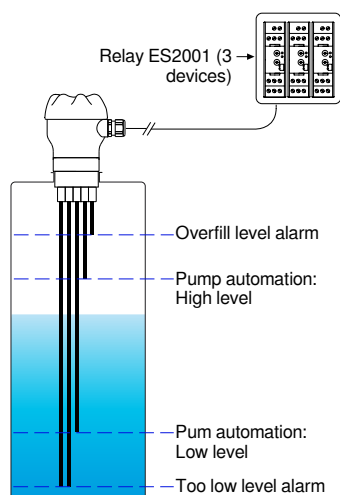
Use only in liquids compatible with stainless steel 316 L and insulation when provided.

Do not use on liquids that may create an insulating layer.

Accessories

Relay ES2001 (data-sheet 530-01)

EC Conformity: The instrument meets the legal requirements of the current European Directives



Automated pump + plus 2 alarms

BAMO INTERNATIONAL

22, Rue de la Voie des Bans · Z.I. de la gare · 95100 ARGENTEUIL

Tel +33 (0)1 30 25 83 20 Web www.bamo.eu

Fax +33 (0)1 34 10 16 05 E-mail export@bamo.fr

Resistive level probe
STE

LEV

540-01 /1

17-01-2022

D-540.01-EN-AD

CODE NUMBERS AND REFERENCES

Code	PPH fitting	Code	AISI 316 L fitting	Description
540 110	STE A 2 X	540 210	STE A C3 X	STE for 1 rod (not included), BSP 1/2"
540 120	STE Z 2 X	540 220	STE Z C6 X	STE for 2 rods (not included), BSP 1 1/4"
540 130	STE D 2 X	540 230	STE D C6 X	STE for 3 rods (not included), BSP 1 1/4"
540 140	STE V 2 X	540 240	STE V C8 X	STE for 4 rods (not included), BSP 2"
540 150	STE F 2 X	540 250	STE F C8 X	STE for 5 rods (not included), BSP 2"

Electrodes for STE:

Code	Reference	Description
540 010	500 mm long rod	AISI 316 L electrode rod, Ø 4 mm, length: 500mm
540 011	1000 mm long rod	AISI 316 L electrode rod, Ø 4 mm, length: 1000mm
540 012	1500 mm long rod	AISI 316 L electrode rod, Ø 4 mm, length: 1500mm
540 013	2000 mm long rod	AISI 316 L electrode rod, Ø 4 mm, length: 2000mm

Level detection

Number of electrodes and fitting type

- S** 1 rod - BSP 1/2" without head housing
- A** 1 rod - BSP 1/2"; IP 65 housing
- Z** 2 rods - BSP 1 1/4"; IP 65 housing
- D** 3 rods - BSP 1 1/4"; IP 65 housing
- V** 4 rods - BSP 2"; IP 65 housing
- F** 5 rods - BSP 2"; IP 65 housing

Fitting material

- 2** PP (Standard)
- C3** 316 Ti ; BSP 1/2"
- C6** 316 Ti; BSP 1 1/4"
- C8** 316 Ti; BSP 2"

Rods insulation

- X** None (Standard)
- T** With polyolefin sheath

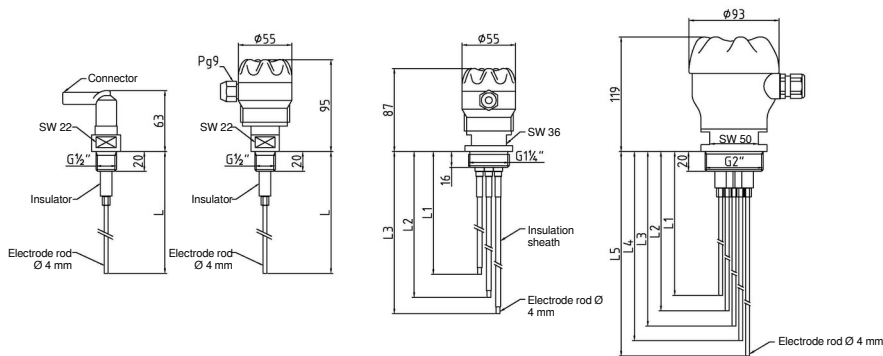
Rod length from sealing surface

- L1** ... mm
- L2** ... mm
- L3** ... mm
- L4** ... mm
- L5** ... mm

STE

Option: Paint-free design (Silicone cleaned with restrictions: on request)

DIMENSIONS



BAMO

INTERNATIONAL

22, Rue de la Voie des Bans · Z.I. de la gare · 95100 ARGENTEUIL

Tel +33 (0)1 30 25 83 20 Web www.bamo.eu

Fax +33 (0)1 34 10 16 05 E-mail export@bamo.fr

Resistive level probe STE

LEV

540-01 /2

17-01-2022

D-540.01-EN-AD