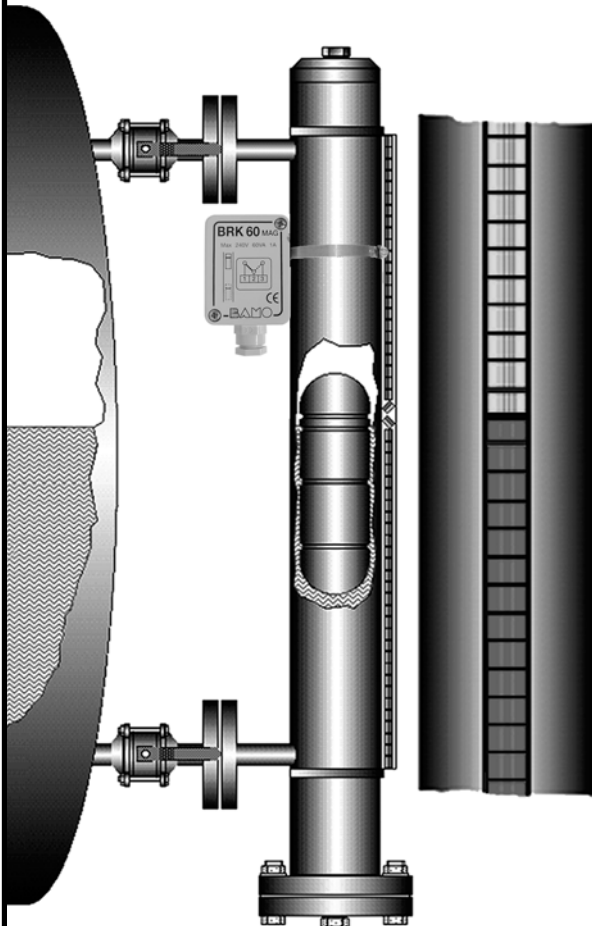


LEVEL INDICATOR MAGTOP

- Totally safe
- Easy reading
- Reliable indication
- Shock resistant
- Construction: Stainless steel, PVC, PPH, PVDF
- Level switches
- 4-20 mA transmitter



PRINCIPLE

These level indicators give an instant reading of liquid level even if it is not transparent.

The mechanical resistant allows an installation on tank storage for dangerous products (hot water under pressure, bases or acids).

Optional level switches are mounted along the guiding tube, as well as an analogical transmitter (continuous level sensor) with a 4-20 mA or Ohm value signal.

ACCESSORIES

The switches BSM, BRK, BRT may be mounted along the column, please see our documentations 585.

A continuous level sensor RTM may also be mounted along the tubing guide, please see the documentation 586. The transmitters are with a potentiometrical output (in Ohm) or with a 4-20 mA signal.

Graduated rulers are specifically designed in PVC or stainless steel. Scales are in [%] or in [cm] or graduations in volume. They are mounted on the side of the column, close to the magnet ruler.

MODELS

In standard, those equipments are manufactured in stainless steel with sided process connections, threaded or with flanges.

For aggressive products the material could be PVC, PPH or PVDF.

It is possible to realize the same principle instrument above the tank. In this case a free space on the top should be equal to the immersion length.

ORDERING

The following process parameters must be specified with the order

Liquid:
Specific weight:
Pressure:
Temperature:

Above information will appear on the TAG plate.

A complete definition is done with the descriptions in the next pages. Before manufacturing, we send a drawing for conformity acceptance.

Options have to be clearly specified.

560

BAMO MESURES

22, Rue de la Voie des Bans - Z.I. de la Gare - 95100 ARGENTEUIL

Tél : (+33) 01 30 25 83 20 - Web : www.bamo.fr

Fax : (+33) 01 34 10 16 05 - E-mail : info@bamo.fr

LEVEL INDICATOR
MAGTOP

09-01-2008

H 10 11 008

NIV

560-01/1

DESCRIPTION AND TECHNICAL FEATURES

Material

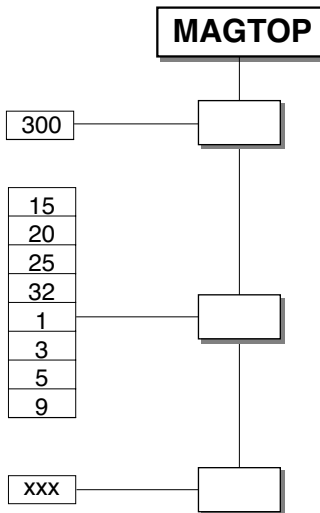
Stainless steel

Process connections

DN 15 - PN 16
 DN 20 - PN 16
 DN 25 - PN 16
 DN 32 - PN 16
 BSP 1/2"
 BSP 3/4"
 BSP 1"
 Other type

Distance between flanges axis

500 mm to 5 000 mm

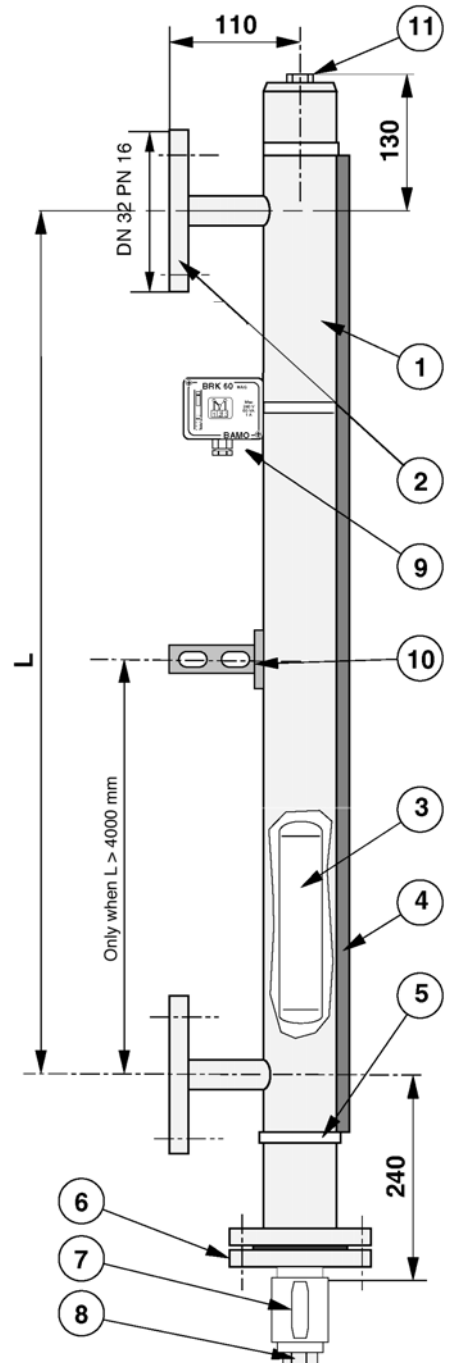
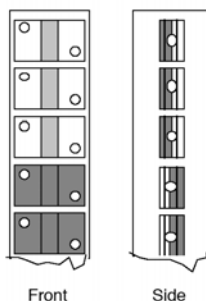


Options

Graduated ruler: DOC 583-03
 Switches: DOC 585-01/ DOC 585-02
 Continuous level transmitter: DOC 586



Magnet ruler

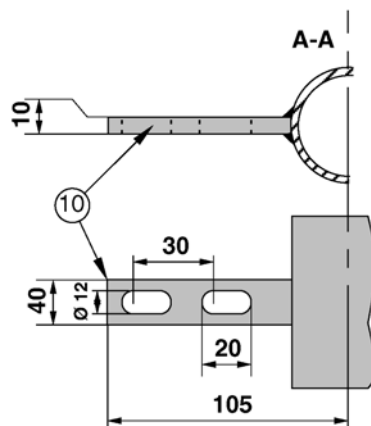


COMPLEMENTARY INFORMATION

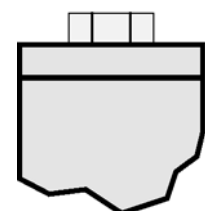
When the length is over 4000 mm, the instrument is manufactured in two parts. Supplementary supports are welded on the guiding tube: they will be fixed on site on the tank. From the drawing, the end-user could confirm or modify the lieu of those supports. Before manufacture, a drawing is sent for acceptance.

NOMENCLATURE

- 1 Stainless steel 316 L guiding tube, diameter 60.3 mm
- 2 Flanges, ND 15 to ND32, nominal pressure NP10
- 3 Magnetic float
- 4 MACROLON or Aluminum magnet ruler (according to temperature)
- 5 Magnet ruler fixing collar, stainless steel 304
- 6 ND 32 flange for maintenance
- 7 Draining valve (option)
- 8 BSP 1/2" draining plug
- 9 BSM or BRK level switches (option)
- 10 Supplementary support (when necessary)
- 11 BSP 1/2" Vent hole with tap (option)



VENT HOLE
(Optional)



BAMO MESURES

22, Rue de la Voie des Bans - Z.I. de la Gare - 95100 ARGENTEUIL
 Tél : (+33) 01 30 25 83 20 - Web : www.bamo.fr
 Fax : (+33) 01 34 10 16 05 - E-mail : info@bamo.fr

LEVEL INDICATOR MAGTOP

09-01-2008

560-01-1/2

NIV

560-01/2

DESCRIPTION AND TECHNICAL FEATURES

Material

PVC
PPH
PVDF

801
803
806

Process connections

ND 25 - PN 6
ND 32 - PN 6
Other type

25
32
9

Distance between flanges axis

500 mm to 5 000 mm

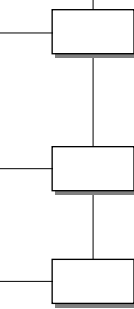
xxx

Options:

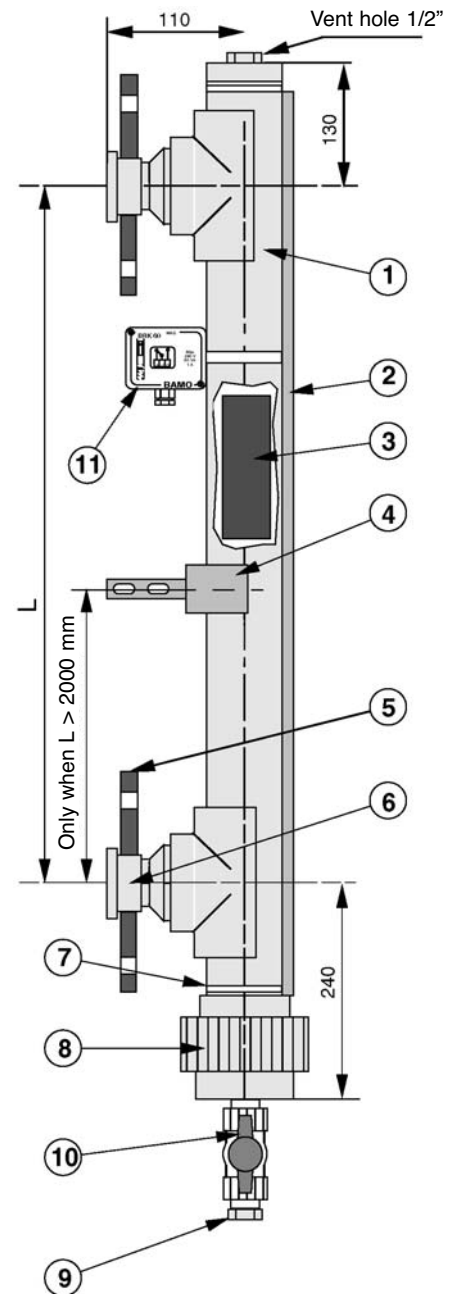
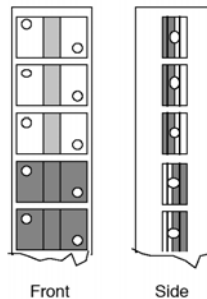
Graduated ruler: DOC 583-03
Switches: DOC 585-02
Continuous level transmitter: DOC 586



MAGTOP



Magnet ruler



COMPLEMENTARY INFORMATION

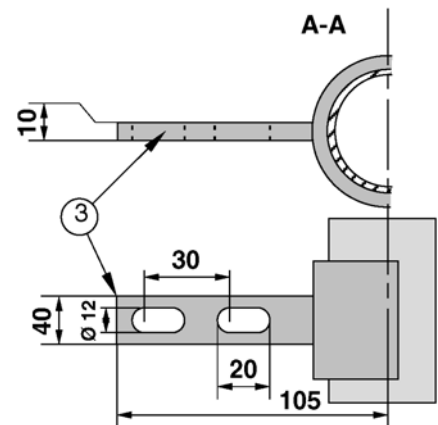
Mainly used for aggressive fluid applications, these MAGTOP are made of plastic materials. Floats are manufactured in accordance with fluid specific weight and with the same material as the MAGTOP. Before manufacture, a drawing is sent for acceptance.

OPTION

When the length is over 2000 mm, the instrument is manufactured in two parts. Supplementary supports fit the guiding tube: they will be fixed on site on the tank. From the drawing, the end-user could confirm or modify the lieu of those supports.

NOMENCLATURE

- 1 PVC, PPH or PVDF guiding tube
- 2 MACROLON magnet ruler
- 3 PVC, PPH, PVDF magnetic float
- 4 Supplementary support (when necessary)
- 5 PVC or PPH steel reinforced flanges, ND 25 or ND32
- 6 Sealing surface
- 7 Magnet ruler fixing collar, stainless steel 304
- 8 Union (3 pieces) for maintenance
- 9 Drain tap
- 10 Draining valve (option)
- 11 BSM or BRK level switches (option)



BAMO MESURES

22, Rue de la Voie des Bans - Z.I. de la Gare - 95100 ARGENTEUIL
Tél : (+33) 01 30 25 83 20 - Web : www.bamo.fr
Fax : (+33) 01 34 10 16 05 - E-mail : info@bamo.fr

LEVEL INDICATOR MAGTOP

09-01-2008

H 10 11 060

NIV

560-01/3

DESCRIPTION AND TECHNICAL FEATURES

Type

Tube, St steel 316L, Ø 63 mm

Connecting

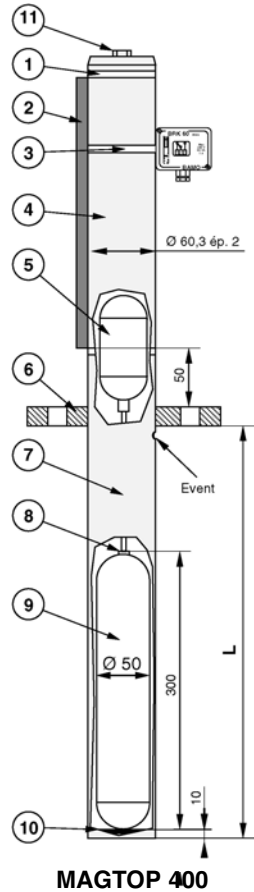
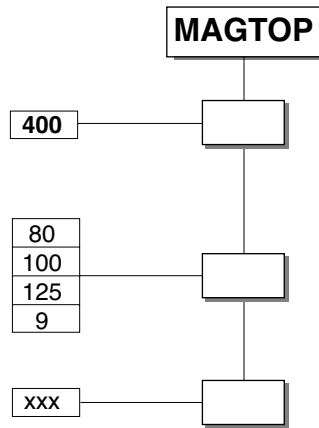
ND 80 PN 16
 ND 100 PN 16
 ND 125 PN 16
 Other

Distance between flanges (L)

Max 1 000 mm

Options

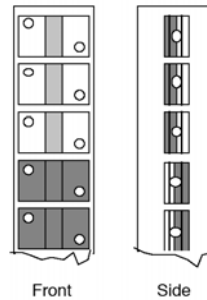
Graduated ruler: DOC 583-03
 Switches: DOC 585-01/ DOC 585-02
 Continuous level transmitter: DOC 586



NOMENCLATURE

- 1 Magnet ruler fixing collar, stainless steel 304
- 2 MACROLON or aluminum magnet ruler (according to T°)
- 3 BSM or BRK level switches (option)
- 4 Indication tube, stainless steel 316L, Ø 63 mm
- 5 Magnet actuator
- 6 ND65 to ND125 PN10/16 flange
- 7 Guiding tube
- 8 Push rod
- 9 Float
- 10 Float stopper
- 11 BSP _" Vent hole with tap (option)

Magnet ruler



Type

Indication tube, St steel 316L, Ø 63 mm
 Guiding tube – Ø 104

Connecting

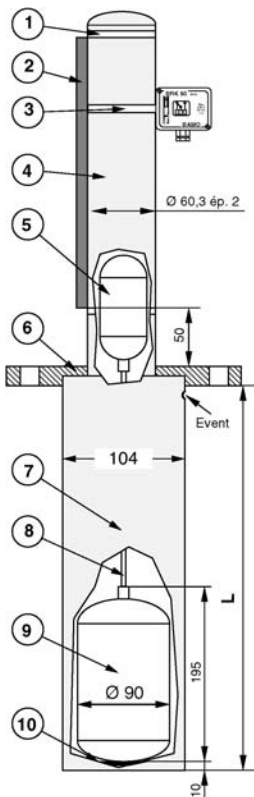
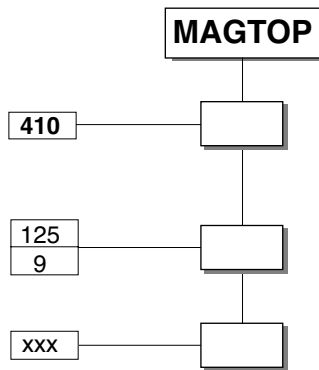
ND 125 PN 16
 Other

Hauteur L

500 mm to 5000 mm

Options

Graduated ruler: DOC 583-03
 Switches: DOC 585-01/ DOC 585-02
 Continuous level transmitter: DOC 586



MAGTOP 410

COMPLEMENTARY INFORMATION

When the length is over 2500 mm, the instrument is manufactured in two parts. Before manufacture, a drawing is sent for acceptance.

BAMO MESURES

22, Rue de la Voie des Bans - Z.I. de la Gare - 95100 ARGENTEUIL
 Tél : (+33) 01 30 25 83 20 - Web : www.bamo.fr
 Fax : (+33) 01 34 10 16 05 - E-mail : info@bamo.fr

LEVEL INDICATOR MAGTOP

09-01-2008

H.10.11.098

NIV

560-01/4