

Electromagnetic flow-meter BAMOMATIC



- The most competitive on the market
- Ranges from 0.25 l/min up to 150 l/min
- Pulse output
- Small dimensions

APPLICATIONS

- Mechanical and industrial engineering fields
- Cleaning process
- Liquid dosage
- On board skids, etc.

DESCRIPTION

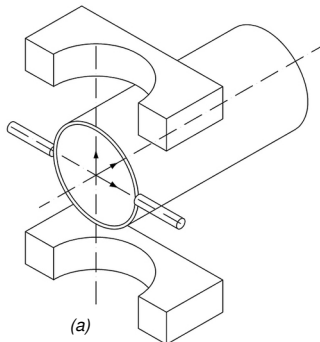
BAMOMATIC is a flowmeter based on the principle of electromagnetic induction to measure flow-rate on electrically conductive liquids ($> 20 \mu\text{S}/\text{cm}$). They are perfectly suited for dosing or totalizing liquids.

Each instrument is calibrated on a bench test at ± 5 pulses for 1000 pulses (Water at 20°C). Density of the liquid, its temperature or its pressure have no influence on the measurement; No moving parts in this flow-meter: it ensures operations without mechanical wear.

The measuring principle is based on Faraday's law (a):

In an electromagnetic flow-meter, the liquid section is in a magnetic field created by solenoid coils. Electrode sensors are on plane perpendicular to this field, in contact with the (conductive) liquid and allow measurement of the generated voltage. This voltage is directly proportional to the fluid velocity and therefore to the flow rate (for a constant flow section).

(a): According to Faraday's law, electromagnetism principle, the voltage induced in a moving conductor through a magnetic field, is directly proportional to the conductor speed.



TECHNICAL FEATURES

Power supply	24 V DC / ± 3 V DC
Consumption	20 mA / 0.65 W
Protection	Against reverse polarity (diode)
Output signal	NPN Type
Status indicators	Red LED = power Green LED = output pulses
Electrical connection	DIN 43650-A plug
Fittings	$\frac{1}{2}$ " ; $\frac{3}{4}$ " ; 1" (according the model)
Nominal diameter	8, 14 or 18 mm (according the model)
Measuring tube material	PVDF (Red housing) Option: Delrin (Blue housing)
Electrodes	AISI 316 L
Conductivity lower limit	20 $\mu\text{S}/\text{cm}$
Pressure limits	10 bar at 20°C ; 8 bar at 40°C ; 6 bar at 60°C
Operating temperature	-10 ... $+60^\circ\text{C}$

EC Conformity: The instrument meets the legal requirements of the current European Directives

BAMO INTERNATIONAL

22, Rue de la Voie des Bans · Z.I. de la gare · 95100 ARGENTEUIL
Tel +33 (0)1 30 25 83 20 Web www.bamo.eu
Fax +33 (0)1 34 10 16 05 E-mail export@bamo.fr

Electromagnetic flow-meter
BAMOMATIC

25-07-2018

D-775.01-EN-AB

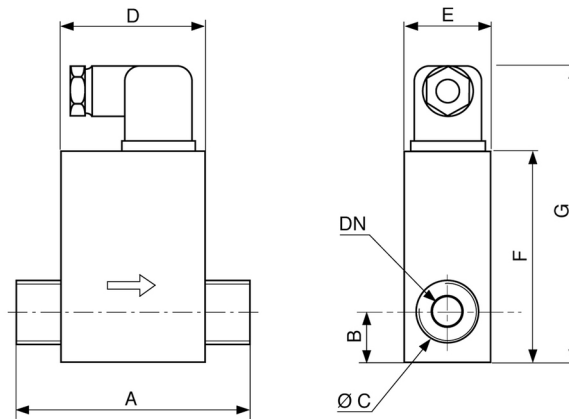
DEB

775-01 /1

CODE NUMBERS AND REFERENCES

Code	Range (l/min)	Fittings - BSP	Output Hz/l/min	Range (Hz)	Pulse/l	Mass (g)
775 301	0.25 ... 5	1/2"	16.6667	1.6 ... 83	1000	290
775 302	1...20	1/2"	13.3333	13...267	800	290
775 303	2.5 ... 50	3/4"	2.6666	5...134	160	300
775 304	5...100	1"	2.6666	13...267	160	312
775 305	10...150	1"	1.3333	13...200	80	312

DIMENSIONS



Model	A [mm]	B [mm]	Ø C	D [mm]	E [mm]	F [mm]	G [mm]	ND
1/2"	84.5	18.5	1/2"	80	36	88	100	8
3/4"	90	20	3/4"	80	36	88	100	14
1"	90	22	1"	80	36	88	100	18

BAMO INTERNATIONAL

22, Rue de la Voie des Bans · Z.I. de la gare · 95100 ARGENTEUIL

Tel +33 (0)1 30 25 83 20 Web www.bamo.eu

Fax +33 (0)1 34 10 16 05 E-mail export@bamo.fr

Electromagnetic flow-meter
BAMOMATIC

25-07-2018

D-775.01-EN-AB

DEB

775-01/2