

Flanged diaphragm seal, gauge guard D201



- Wide choice
- Flanged diaphragm seal
- Operating ranges: -1 ... 0 ... 70 bar
- Process connection: Flange ANSI B16.5

APPLICATIONS

Designed to protect instruments, these gauge guards are useful on viscous and corrosive fluids in high pressure and/or high vibration applications.

TECHNICAL FEATURES

Operating ranges	-1 ... 0 ... 70 bar
Filling	Silicone oil DC 200 (-40 ... 205 °C)
Body	Top: AISI 304 Bottom: AISI 316
Diaphragm	AISI 316 L
Gaskets	PTFE
Fitting to instrument	½" BSP-F ½" NPT-F
Fitting to process	ANSI flange B 16.5 rated: according operating range

OPTIONS	Capillary tube to instrument Protection over capillary PTFE sheathed flange PTFE sheathed diaphragm
---------	--

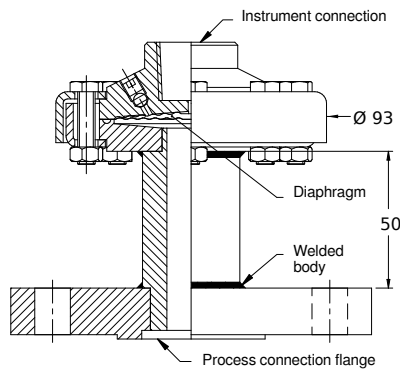
EC Conformity: The instrument meets the legal requirements of the current European Directives

CODE NUMBERS AND REFERENCES

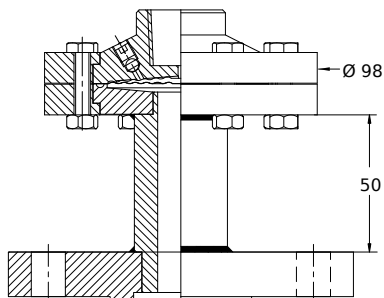
Code	Description
812 xxx	D201 -1 ... 0 bar to 0 ... 21 bar; To instrument: ½" BSP-F To process: Flange ANSI B16.5 Filling: Silicone oil DC 200 (-40...205 °C)
812 xxx	D201 -1...0 bar to 0...70 bar; To instrument: ½" BSP-F To process: Flange ANSI B16.5 Filling: Silicone oil DC 200 (-40...205 °C)
812 xxx	D201 -1 ... 0 bar to 0 ... 21 bar; To instrument: ½" NPT-F To process: Flange ANSI B16.5 Filling: Silicone oil DC 200 (-40...205 °C)
812 xxx	D201 -1...0 bar to 0...70 bar; To instrument: ½" NPT-F To process: Flange ANSI B16.5 Filling: Silicone oil DC 200 (-40...205 °C)

Options, certificates, other features: On request

-1...0 bar to 0...21 bar



-1...0 bar to 0...70 bar



BAMO INTERNATIONAL

22, Rue de la Voie des Bans · Z.I. de la gare · 95100 ARGENTEUIL
Tel +33 (0)1 30 25 83 20 Web www.bamo.eu
Fax +33 (0)1 34 10 16 05 E-mail export@bamo.fr

Flanged diaphragm seal,
gauge guard
D201

23-06-2020

D-812.36-EN-AB

PR

812-36/1