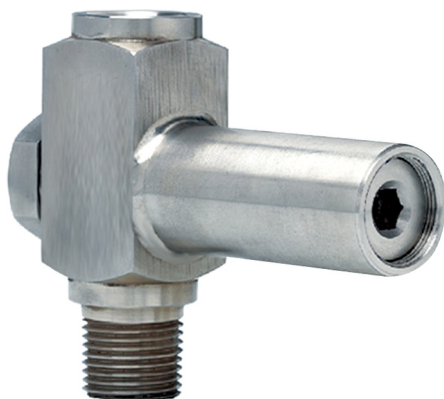


Overpressure protector for gauges A 202



- **Adjustable pressure limit**
For liquids, gases and steam
- **Overpressure up to 400 bar**
- **Temperature up to 180 °C**

APPLICATIONS

Protection of pressure gauges and pressure transmitters against overpressure.

DESCRIPTION

The A202 is designed to protect an instrument from damage caused by overpressure, exceeding the measurement range. A valve closes automatically at the preset value, avoiding the circulation of the fluid towards the instrument. When the pressure drops back 25% below the preset value, the valve opens and restore the circulation of the fluid. The pressure relief valve is usually mounted between the instrument and a gauge separator.

TECHNICAL FEATURES

Types 1 and 2 Bellows limiter
Types 3, 4, 5, 6 and 7 Piston limiter

Standard models:

Body AISI 316
Gasket & seals FPM
Operating temperature Max. 180 °C
Operating pressure Max. 400 bar
Instrument connection Or 1/2" BSP - F, or 1/2" NPT - F
Process connection Or 1/2" BSP - M, or 1/2" NPT - M

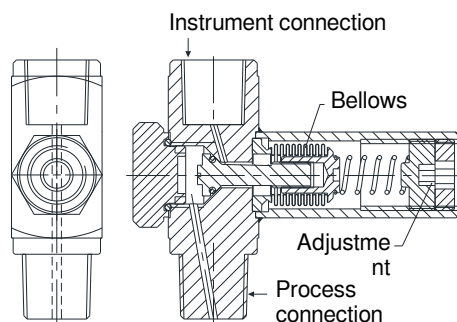
EC Conformity: The instrument meets the legal requirements of the current European Directives.

CODE NUMBERS AND REFERENCES

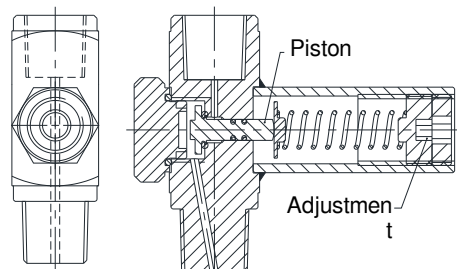
Code : 816 xxx

Range	Reference	Description
200 mbar ... 1.6 bar	A202 Type 1	Bellows system
2.5 ... 4 bar	A202 Type 2	
6 ... 16 bar	A202 Type 3	Piston system
16 ... 40 bar	A202 Type 4	
30 ... 80 bar	A202 Type 5	
60 ... 160 bar	A202 Type 6	
100 ... 400 bar	A202 Type 7	

Options, certificates, other specifications: On request



Types: 1 and 2



Types: 3, 4, 5, 6 and 7

BAMO INTERNATIONAL

22, Rue de la Voie des Bans · Z.I. de la gare · 95100 ARGENTEUIL
Tel +33 (0)1 30 25 83 20 Web www.bamo.eu
Fax +33 (0)1 34 10 16 05 E-mail export@bamo.fr

Overpressure protector for
gauges
A 202

18-06-2020

D-816.03-EN-AB

PR

816-03/1