

# Pneumatically actuated 3-way ball valves, single or double acting VP3V S4-PPH



- PPH valve from ND 10 to ND 50
- Pneumatic actuator  
Single or double acting
- Position pointer
- Options:  
Limit switches box  
Pilot valves

## DESCRIPTION

Pneumatically actuated 3-way ball valves, L or T bore, controlled by single or double acting pneumatic actuator, allow many possibilities of controlling the direction of liquid(s) in a piping system. These models are designed for aggressive liquids. Their different operating modes are described in the documentation da 913.20 (Bores L or T).

## TECHNICAL FEATURES

### 3-way ball valve:

Body	PPH
Seals	EPDM or FPM
Ball	PPH, bore L or T1, or T2 or T3
Ball seat	PTFE
Fittings	Union (female ends for fusion welding)
Pressure limit	10 bar

### Pneumatic actuator:

Models	Single acting or N.O. or N.C., or double acting
Operating pressure	Min. 6 bar; Max. 8 bar
Fittings	BSPF 1/4"G (female)
Assembly of accessories	NAMUR VDI/VDE 3845 and ISO 5211

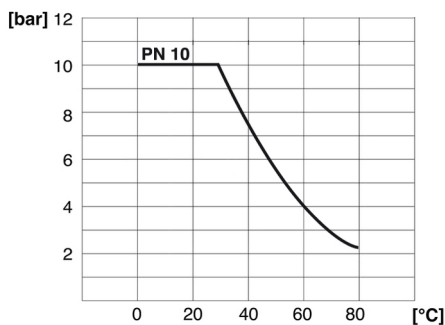
### Material:

Housing	Technopolymer (black)
Gear	Nickel-plated carbon steel
Fasteners	Epoxy-coated cast aluminum
Pistons	AISI 304 stainless steel
Sealing gaskets	BUNA-N

### Accessories:

- (See data-sheet da913-10)
- Limit switches box
  - 3/2-way pilot solenoid valves (for single acting version)
  - 5/2-way pilot solenoid valve (for double acting version)
  - Exhaust silencer, Brass, 1/4" G

**EC Conformity:** The instrument meets the legal requirements of the current European Directives.



Pressure vs. Temperature

# BAMO INTERNATIONAL

22, Rue de la Voie des Bans · Z.I. de la gare · 95100 ARGENTEUIL  
 Tel +33 (0)1 30 25 83 20 Web [www.bamo.eu](http://www.bamo.eu)  
 Fax +33 (0)1 34 10 16 05 E-mail [export@bamo.fr](mailto:export@bamo.fr)

Pneumatically actuated 3-way ball  
valves, single or double acting

## VP3V S4-PPH

08-12-2025

D-913.05-EN-AC

PLAS

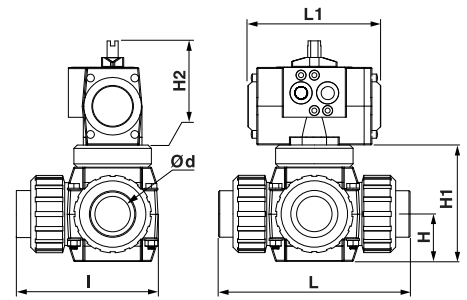
913-05/1

## CODE NUMBERS AND REFERENCES

		Single acting				Double acting			
		Ball L bored		Ball T bored		Ball L bored		Ball T bored	
ND	d	EPDM seal	FPM seal	EPDM seal	FPM seal	EPDM seal	FPM seal	EPDM seal	FPM seal
10	16	913 361	913 368	913 403	913 410	913 389	913 396	913 431	913 438
15	20	913 362	913 369	913 404	913 411	913 390	913 397	913 432	913 439
20	25	913 363	913 370	913 405	913 412	913 391	913 398	913 433	913 440
25	32	913 364	913 371	913 406	913 413	913 392	913 399	913 434	913 441
32	40	913 365	913 372	913 407	913 414	913 393	913 400	913 435	913 442
40	50	913 366	913 373	913 408	913 415	913 394	913 401	913 436	913 443
50	63	913 367	913 374	913 409	913 416	913 395	913 402	913 437	913 444

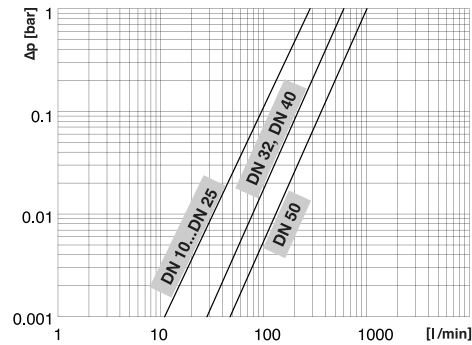
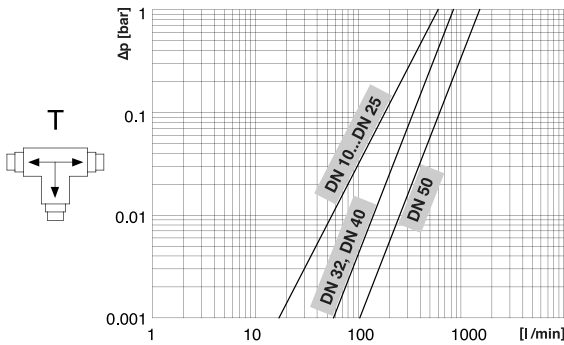
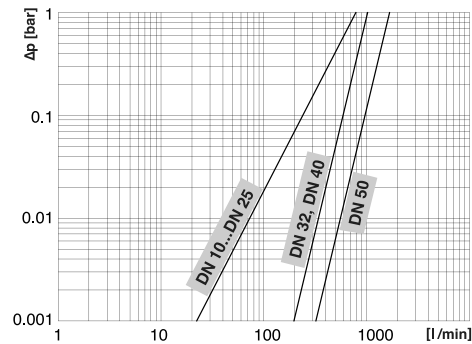
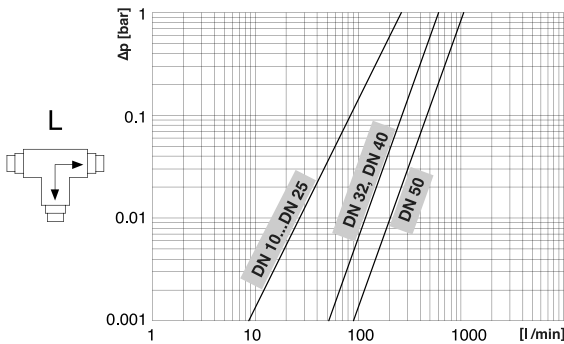
## DIMENSIONS [ mm ]

		Single acting						Double acting					
ND	d	H	H1	H2	L	L1	I	H	H1	H2	L	L1	I
10	16												
15	20	33	86	91	138	119	95	33	86		138		95
20	25	40	100	112	163	160	116	40	100	91	163	119	116
25	32	43	106		169		119	43	106		169		119
32	40	51	130		222		119	161	130		222		161
40	50	56	155		231		160	166	155		231		166
50	63	64	168		264		175	192	168		264		192



## PHYSICAL FEATURES

Pressure drop vs. flow (Water at 20 ° C)



**BAMO** INTERNATIONAL

22, Rue de la Voie des Bans · Z.I. de la gare · 95100 ARGENTEUIL  
 Tel +33 (0)1 30 25 83 20 Web [www.bamo.eu](http://www.bamo.eu)  
 Fax +33 (0)1 34 10 16 05 E-mail [export@bamo.fr](mailto:export@bamo.fr)

Pneumatically actuated 3-way ball valves, single or double acting

**VP3V S4-PPH**

08-12-2025

D-913.05-EN-AC

**PLAS**

**913-05/2**