

# Pneumatic butterfly valves, single or double acting VPP K4-PPH



- PPH valve from DN 65 to DN 200
- Radial assembly and disassembly
- Pneumatic actuator
  - Single or double acting
  - Normally closed (NC) or normally open (NO) function
- Visual position indicator
- Options :
  - Limit switch box
  - Solenoid valve

## DESCRIPTION

These butterfly valves, equipped with a single-acting pneumatic actuator (normally closed or normally open) or double-acting, control the flow of fluid in an installation. Only the sealing sleeve and the disc are exposed to the fluid. They are specifically designed for use in aggressive environments.

## TECHNICAL FEATURES

### Butterfly valve :

Body	PP-GF
Seals and sleeve	EPDM or FPM
Disc	PPH
Connection	wafer type (between flanges)

### Pneumatic actuator

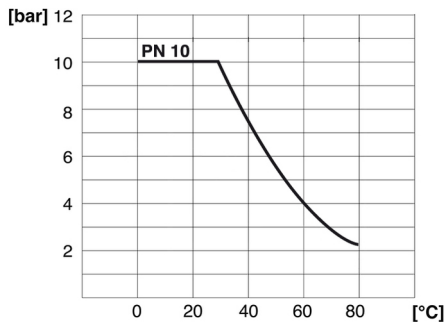
Models	single acting (NO or NC), or double acting
Operating pressure	min. 6 bar, max. 8 bar
Connection	1/4" G
Main material	Technopolymer: "UT" model Aluminium: "MT" version See code and reference table

**Compliance: NAMUR VDI/VDE 3845 and ISO 5211**

### Accessories:

- (See document D-913.10)
- Limit switch box
  - 3/2 way solenoid valve (for single acting version)
  - 5/2 way solenoid valve (for double acting version)

**CE compliance: The device meets the legal requirements of the applicable European Directives.**



Pressure vs. Temperature

**BAMO INTERNATIONAL**

22, Rue de la Voie des Bans · Z.I. de la gare · 95100 ARGENTEUIL  
 Tel +33 (0)1 30 25 83 20 Web [www.bamo.eu](http://www.bamo.eu)  
 Fax +33 (0)1 34 10 16 05 E-mail [export@bamo.fr](mailto:export@bamo.fr)

**Pneumatic butterfly valves,  
single or double acting  
VPP K4-PPH**

14-04-2026

D-913.06-EN-ACb

**PLAS**

**913-06/1**

## CODE NUMBERS AND REFERENCES

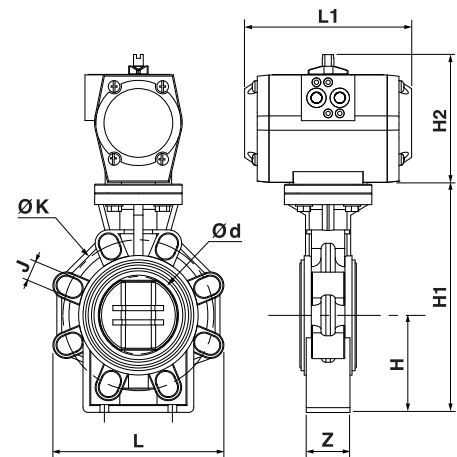
ND	d	Model	Single-acting actuator				Double-acting actuator		
			Normally closed		Normally open		Model	EPDM seal	FPM seal
			EPDM seal	FPM seal	EPDM seal	FPM seal			
65	75	MT25	913 445	913 450	913 455	913 460	UT18	913 465	913 470
80	90	MT30	913 446	913 451	913 456	913 461	UT18	913 466	913 471
100	110	MT35	913 447	913 452	913 457	913 462	MT25	913 467	913 472
150	160	MT50	913 448	913 453	913 458	913 463	MT35	913 468	913 473
200	225	MT55	913 449	913 454	913 459	913 464	MT45	913 469	913 474

## DIMENSIONS [mm]

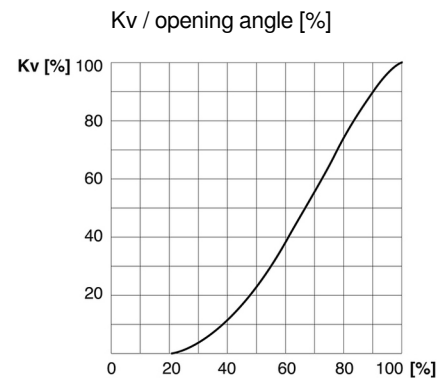
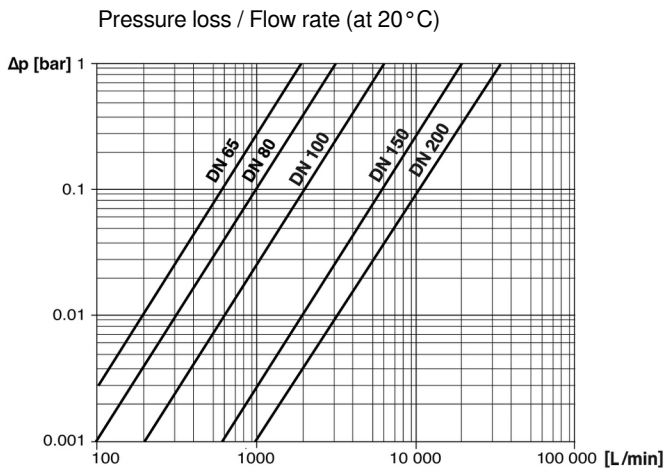
ND	d	H	H1	H2	L	L1	Z	K	J
65	75	100	232	111	133	160	46	127 / 145	19
80	90		239	133	176	175	49	146 / 160	
100	110	115	269	143	206	230	56	175 / 190.5	23
150	160	148	333	162	261	239	70	234.5 / 241.5	
200	225	175	395	196	314	246	71	290 / 298.5	

## FLANGE ASSEMBLY TIGHTENING TORQUE

ND 65	ND 80	ND 100	ND 150	ND 200
15 N.m	18 N.m	20 N.m	40 N.m	55 N.m



## PHYSICAL CHARACTERISTICS



## Pressure loss and flow coefficient Kv according to DN:

ND 65		ND 80		ND 100		ND 150		ND 200	
1 bar	0.001 bar	1 bar	0.001 bar	1 bar	0.001 bar	1 bar	0.001 bar	1 bar	0.001 bar
1,900 l/min	60 l/min	3,100 l/min	100 l/min	6,000 l/min	190 l/min	19,000 l/min	600 l/min	35,000 l/min	1,100 l/min

# BAMO INTERNATIONAL

22, Rue de la Voie des Bans · Z.I. de la gare · 95100 ARGENTEUIL  
 Tel +33 (0)1 30 25 83 20 Web [www.bamo.eu](http://www.bamo.eu)  
 Fax +33 (0)1 34 10 16 05 E-mail [export@bamo.fr](mailto:export@bamo.fr)

Pneumatic butterfly valves,  
 single or double acting  
**VPP K4-PPH**

14-04-2026

D-913.06-EN-ACb

**PLAS**

**913-06/2**