

Manual laboratory valve VL2V S4

- Body: PVC or PVDF
- Supplied with accessories
- Process connections: BSP 1/4" or 3/8"

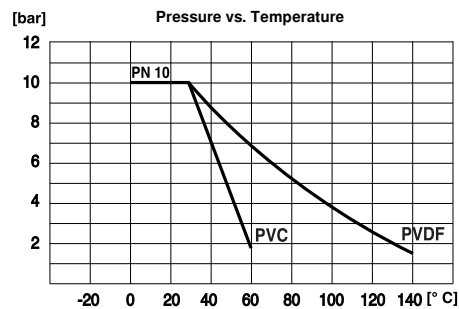
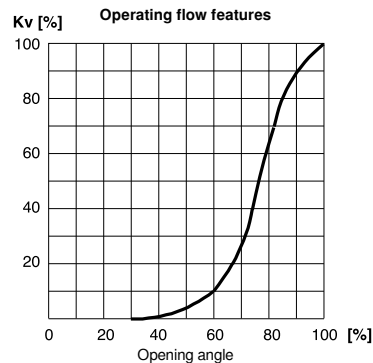
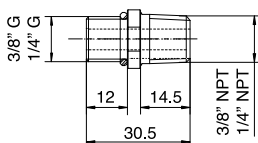
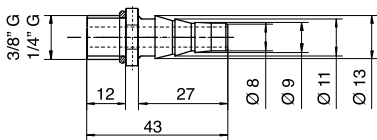
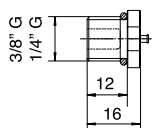
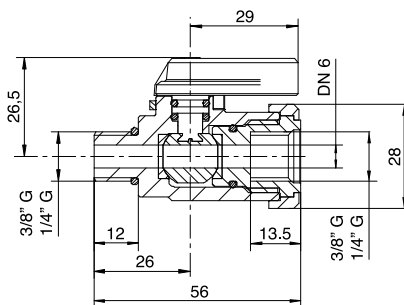


DESCRIPTION

Laboratory valves have a locking ring to protect against accidental opening of the valve, as well as to adjust the opening angle. The S4 laboratory valve can be opened at any time at 100% by removing this locking ring. Accessories, such as: sampling nozzle, nipple, plug, are supplied together with the valve. An additional seal at the valve shaft provides resistance to temperature and pressure.

TECHNICAL FEATURES

Body	PVC PVDF
Sealing	EPDM or FPM
Ball seat	PTFE
Fittings	Type: BSP; Sizes: or 1/4" or 3/8"



EC Conformity: The instrument meets the legal requirements of the current European Directives.

CODE NUMBERS AND REFERENCES

Fittings	PVC body EPDM sealing	PVC body FPM sealing	PVDF body FPM sealing
BSP 1/4"	AD 122 353	AD 122 354	CD 122 459
BSP 3/8"	AD 122 751	AD 122 757	CD 122 460

BAMO INTERNATIONAL

22, Rue de la Voie des Bans · Z.I. de la gare · 95100 ARGENTEUIL
 Tel +33 (0)1 30 25 83 20 Web www.bamo.eu
 Fax +33 (0)1 34 10 16 05 E-mail export@bamo.fr

Manual laboratory valve
VL2V S4

15-10-2021

D-931.01-EN-AB

PLAS

931-01 /1