

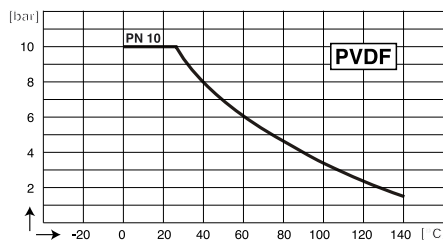
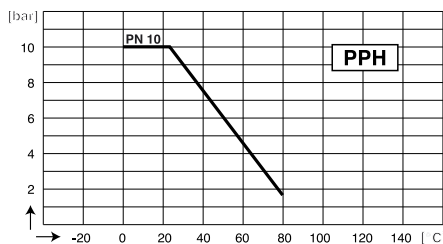
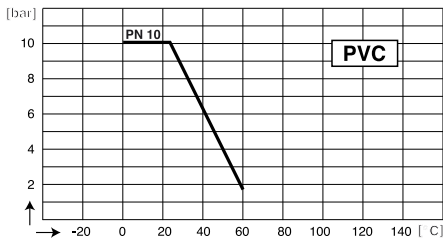
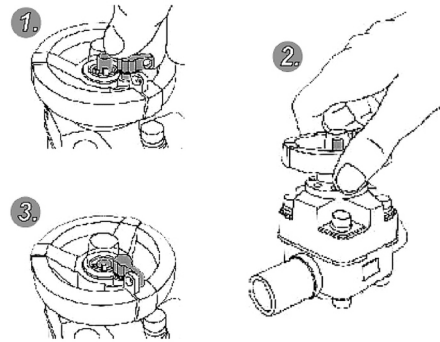
# Manual diaphragm valve VMM T4

- Secure and padlockable handwheel
- Radial mounting and dismounting
- Position pointer



## DESCRIPTION

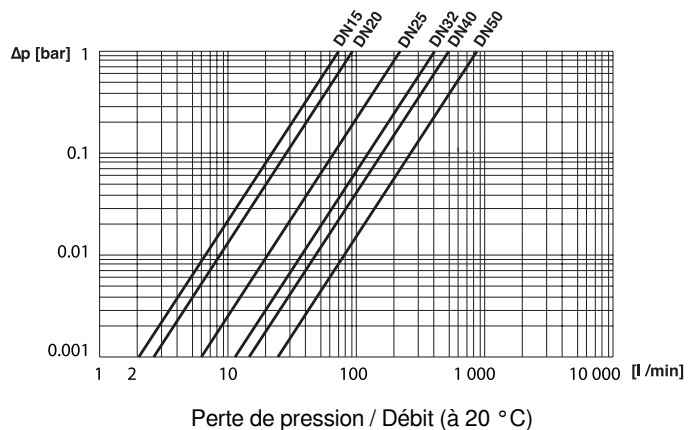
Diaphragm valves T4, manual type, can be used in the most demanding applications. The different materials available allow the use with many chemicals, corrosives, in pipings for aggressive and/ or polluted liquids. The replacement of the diaphragm and wet seals is done without special tools. These valves are equipped with a secure and padlockable handwheel.



Pressure vs. Temperature

## TECHNICAL FEATURES

Body	PVC PPH
Seals	EPDM or FPM
Diaphragm	EPDM or EPDM PTFE coated
Seat	PTFE
Fittings	Female unions (socket ends) or ends to be glued



EC Conformity: The instrument meets the legal requirements of the current European Directives.

**BAMO** INTERNATIONAL

22, Rue de la Voie des Bans · Z.I. de la gare · 95100 ARGENTEUIL

Tel +33 (0)1 30 25 83 20 Web [www.bamo.eu](http://www.bamo.eu)

Fax +33 (0)1 34 10 16 05 E-mail [export@bamo.fr](mailto:export@bamo.fr)

Manual diaphragm valve  
**VMM T4**

03-12-2025

D-940.02-EN-AB

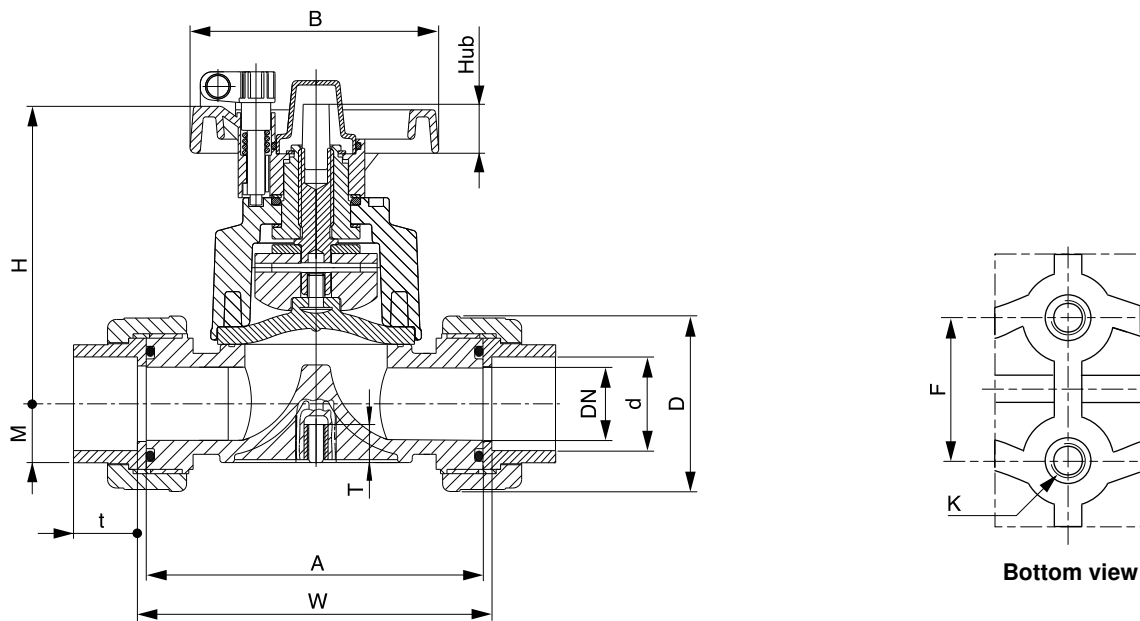
PLAS

940-02/1

## CODE NUMBERS AND REFERENCES

Body/Seals	PVC/EPDM	PVC/EPDM	PVC/EPDM	PPH/FPM
Fittings	Union-solvent socket	Union-solvent socket	Solvent spigot	Union-solvent socket
Membrane	EPDM	EPDM/PTFE	EPDM	EPDM/PTFE
DN 15	AD 122 212	AD 122 832	AD 122 205	
DN 20	AD 122 213	AD 122 834	AD 122 206	
DN 25	AD 122 214	AD 122 835	AD 122 207	BD 125 052
DN 32	AD 122 215	AD 122 836	AD 122 208	
DN 40	AD 122 216	AD 122 837	AD 122 209	
DN 50	AD 122 217	AD 122 838	AD 122 210	

## DIMENSIONS [mm]



ND	d	A	W	t	t*	T	Hub	D	H	B	M	F	K
15	20	90	96	16	28,5	12	9	43	100	86	17	25	M6
20	25	108	114	19	36			53					
25	32	116	122	22	38,5	15	22	60	144	136	33	45	M8
32	40	136	142	26				74					
40	50	154	160	31	46	15	28	83	170	136	40,5	45	M8
50	63	184	190	38				103					

\*: Model with solvent-spigot ends

# BAMO INTERNATIONAL

22, Rue de la Voie des Bans · Z.I. de la gare · 95100 ARGENTEUIL  
 Tel +33 (0)1 30 25 83 20 Web [www.bamo.eu](http://www.bamo.eu)  
 Fax +33 (0)1 34 10 16 05 E-mail [export@bamo.fr](mailto:export@bamo.fr)

Manual diaphragm valve  
**VMM T4**

03-12-2025

D-940.02-EN-AB

PLAS

940-02/2