

Manual diaphragm valve VMM T7



- Secure, lockable steering wheel
- Radial assembly and disassembly
- Visual position indicator

DESCRIPTION

T7 manual valves can be used in flow control applications. The various materials available enable them to withstand many chemicals and corrosive substances. These valves are equipped with a secure, lockable handwheel and an open position indicator.

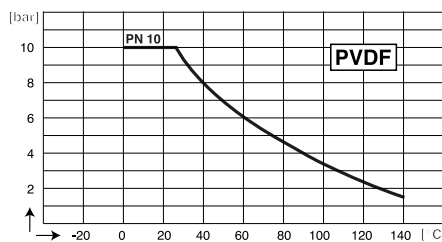
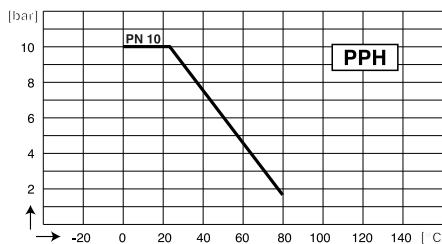
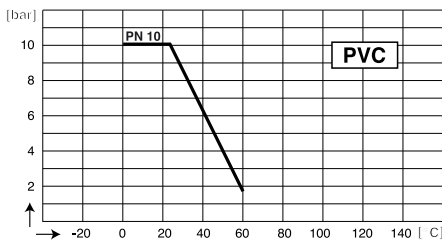
TECHNICAL FEATURES

Valve body	PVC PPH PVDF (only with FPM seal)
upper part	PP-GF
Seal	EPDM or FPM
Membrane	EPDM or PTFE-coated EPDM
Fittings	Solvent-socket ends

CE compliance: The device meets the legal requirements of the applicable European directives.

CODE NUMBERS AND REFERENCES

Body	PVC		PPH		PVDF
	EPDM	FPM	EPDM	FPM	FPM
Membrane	EPDM	FPM	EPDM	FPM	PTFE
Codification					
DN 15	AD 271 200	AD 271 240	BD 273 200	BD 273 240	CD 275 200
DN 20	AD 271 201	AD 271 241	BD 273 201	BD 273 241	CD 275 201
DN 25	AD 271 202	AD 271 242	BD 273 202	BD 273 242	CD 275 202
DN 32	AD 271 203	AD 271 243	BD 273 203	BD 273 243	CD 275 203
DN 40	AD 271 204	AD 271 244	BD 273 204	BD 273 244	CD 275 204
DN 50	AD 271 205	AD 271 245	BD 273 205	BD 273 245	CD 275 205



Temperature / Pressure

BAMO INTERNATIONAL

22, Rue de la Voie des Bans · Z.I. de la gare · 95100 ARGENTEUIL
 Tel +33 (0)1 30 25 83 20 Web www.bamo.eu
 Fax +33 (0)1 34 10 16 05 E-mail export@bamo.fr

Manual diaphragm valve VMM T7

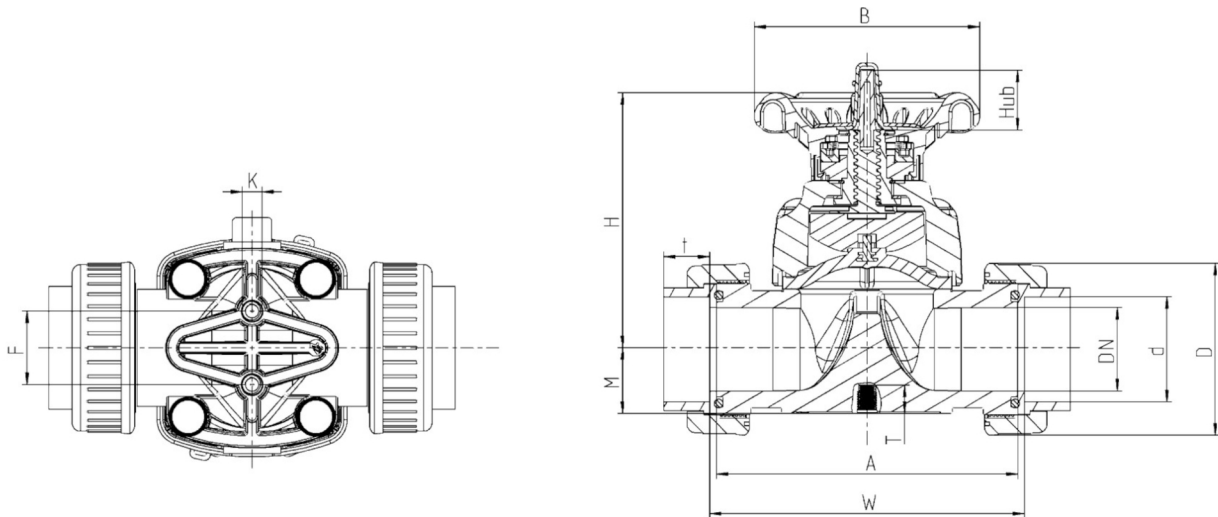
05-12-2025

D-940.03-EN-AB

Plas

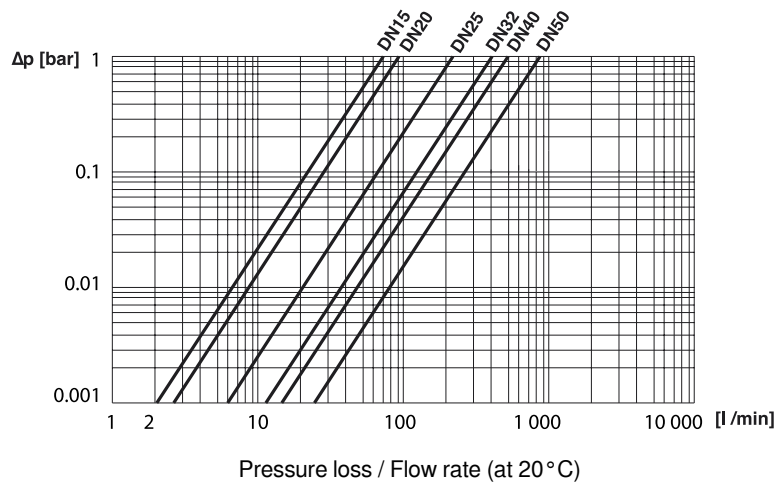
940-03/1

DIMENSIONS (mm)



						PVC	PPH	PVDF							
DN	d	A	W	M	F	t	t	t	T	Hub	D	H	B	K	
15	20	90	96	18.6	25	17	16	16	12	13	44	87	85	M6	
20	25	108	115	16.5	25	18.5	18	17.5	12	13	53	89	85	M6	
25	32	116	122	20	25	22	19	19	12	15	60	96	85	M6	
32	40	136	142	25.5	44	27	22	22	15	22	74	135	138	M8	
40	50	154	171	32	44	27	24.5	24	15	22	83	140	138	M8	
50	63	184	192	39.5	44	28	28	29	15	30	103	153	138	M8	

PHYSICAL CHARACTERISTICS



BAMO INTERNATIONAL

22, Rue de la Voie des Bans · Z.I. de la gare · 95100 ARGENTEUIL

Tel +33 (0)1 30 25 83 20 Web www.bamo.eu

Fax +33 (0)1 34 10 16 05 E-mail export@bamo.fr

**Manual diaphragm valve
VMM T7**

Plas

940-03/2

05-12-2025

D-940.03-EN-AB